

PRESSURE GAUGES

790260 0 – 400 psig (0 – 28 Bar)

790603 0 – 1,000 psig (0 – 70 Bar)

Size:

2.68" (67.9 mm)

¼" NPT Bottom Mount

Materials:

Connection: 316 SS

Bourdon Tube: 316 SS

Case: 304 SS

Window: Acrylic / Polycarbonate

Liquid Fill: Glycerin

Accuracy:

±3% of Full Scale Value

Black Numbers & Pointer

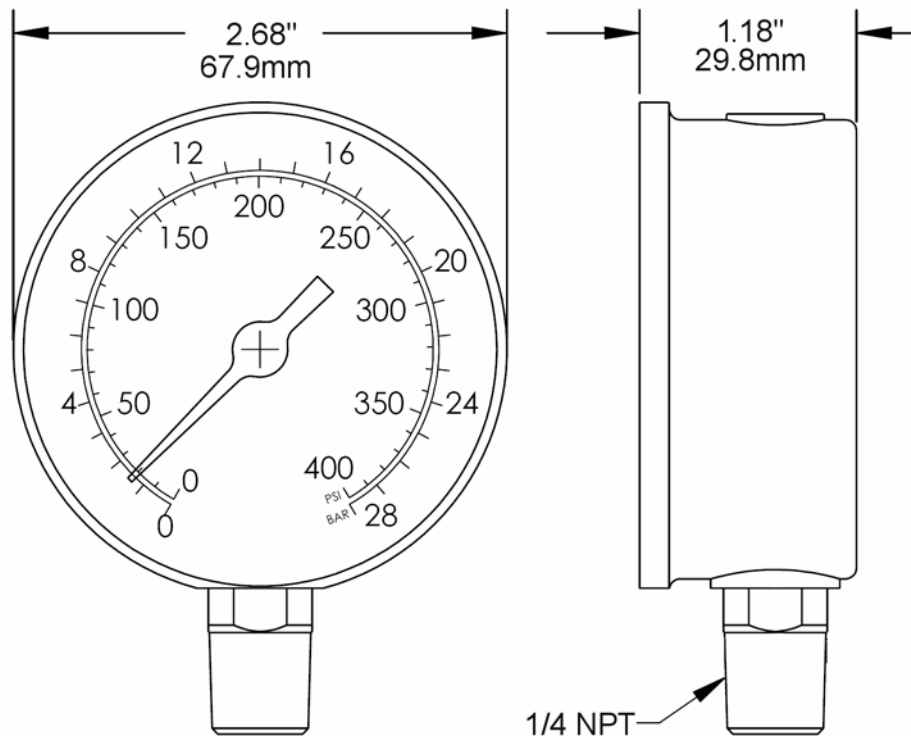
White Background

Accessories:

790045 Pulsation Damper, ¼" NPT, Carbon Steel

790296 Street El, ¼" x ¼"

790016 Needle Valve, ¼" NPT, Carbon Steel



790260 shown