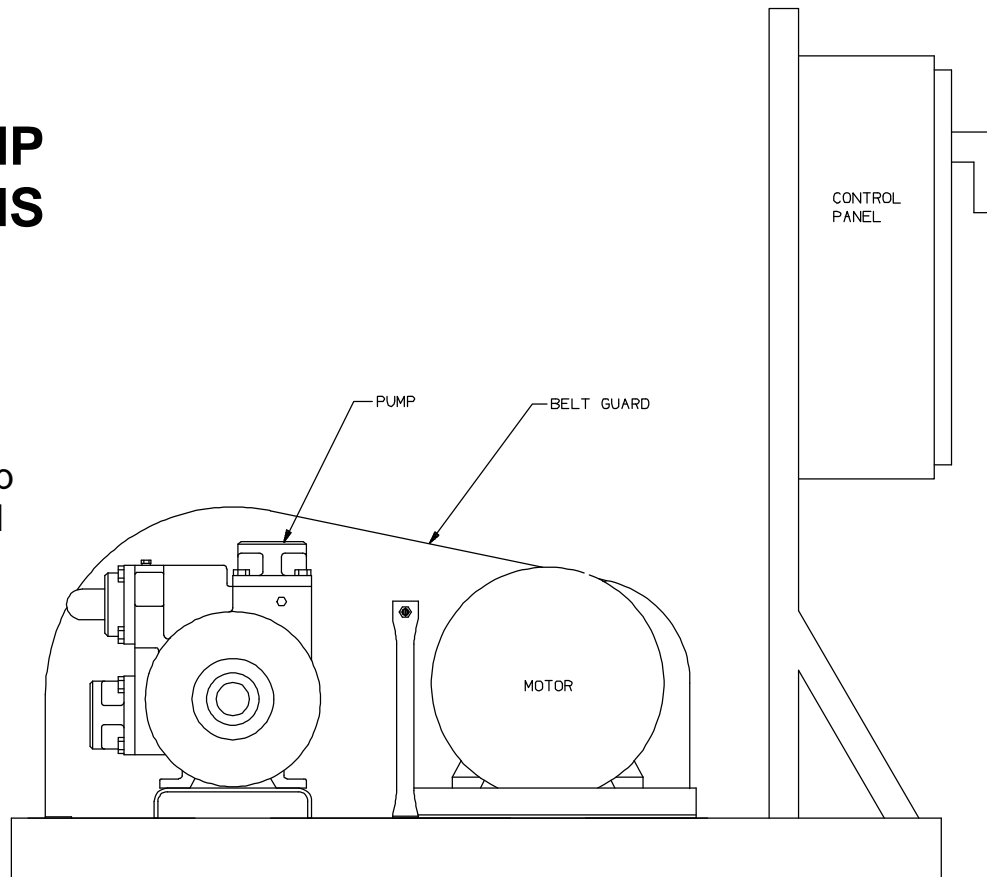


PUMP SOLUTIONS

LG4-VB

LPG Transfer Pump
Driven @ 610 RPM



AE94-J980289-1

Product: Propane, $n = 1.13$, $MW = 44.09$, $Viscosity = 0.1 \text{ Cp @ } 15^\circ\text{C}$

Inlet Pressure: 40 to 200 psig at $20 - 110^\circ\text{F}$
(2.9 to 14.1 $\text{kg}\cdot\text{cm}^2/\text{g}$ at -7 to 43°C)

Differential Pressure: 30 psi ($2.1 \text{ kg}/\text{cm}^2$)

FEATURES

Buna-N O-rings

Ductile Iron Case

Mechanical Seal

Explosion Proof
Control Panel

Non-Sparking
Aluminum Beltguard

30 HP, 50 Hz, EXP
Star-Delta Start Motor

Three of these pump packages are being used in Pakistan to transfer LPG at 250 gpm (950 lpm). The Star-Delta motor and starter allow reduced voltage motor starting to lessen the load on the power grid as the motor comes up to speed. The motor and switches are all explosion proof. A BV2 external back-to-tank bypass valve is placed in the discharge piping.