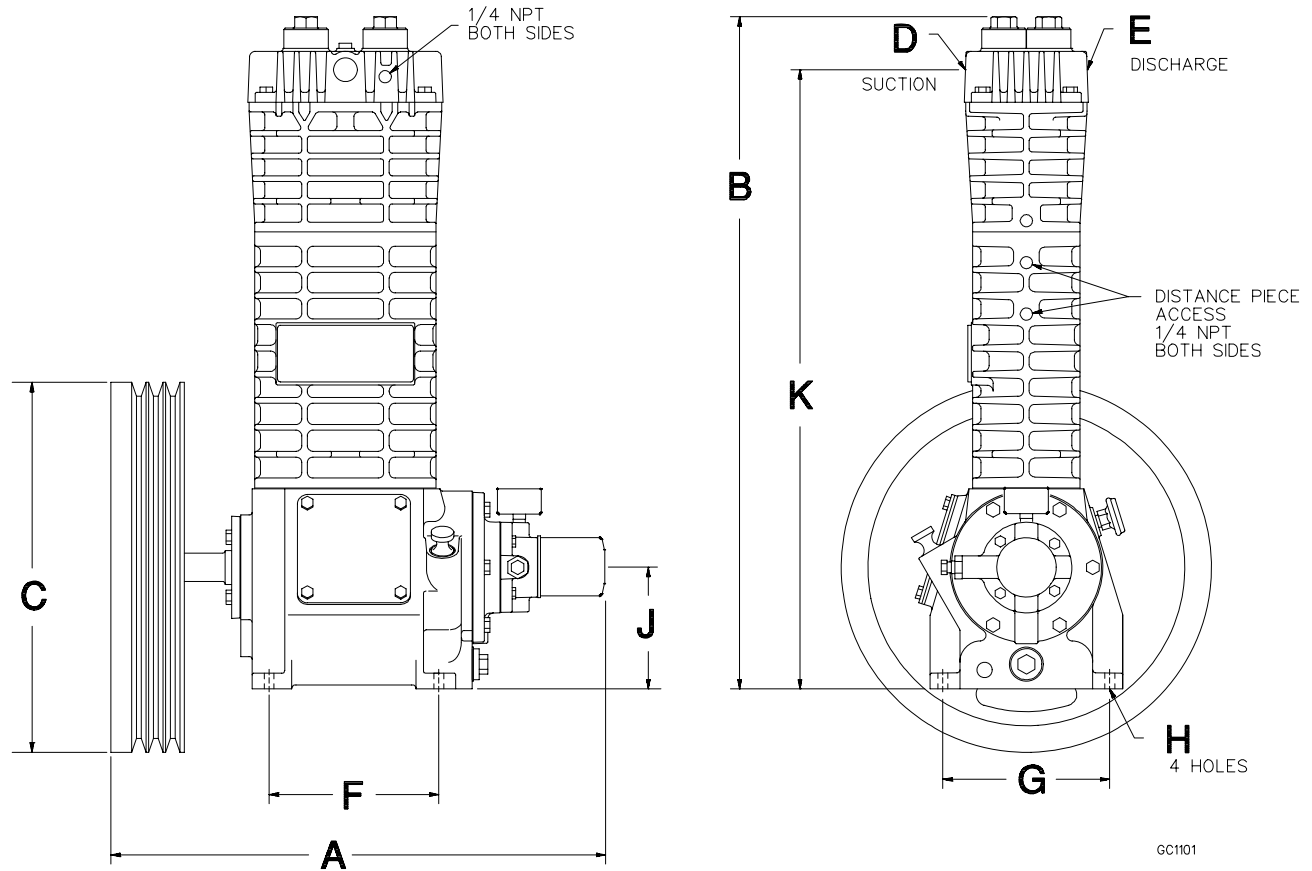


**DIMENSIONS:  
HD161C, HD162C and HD163C**

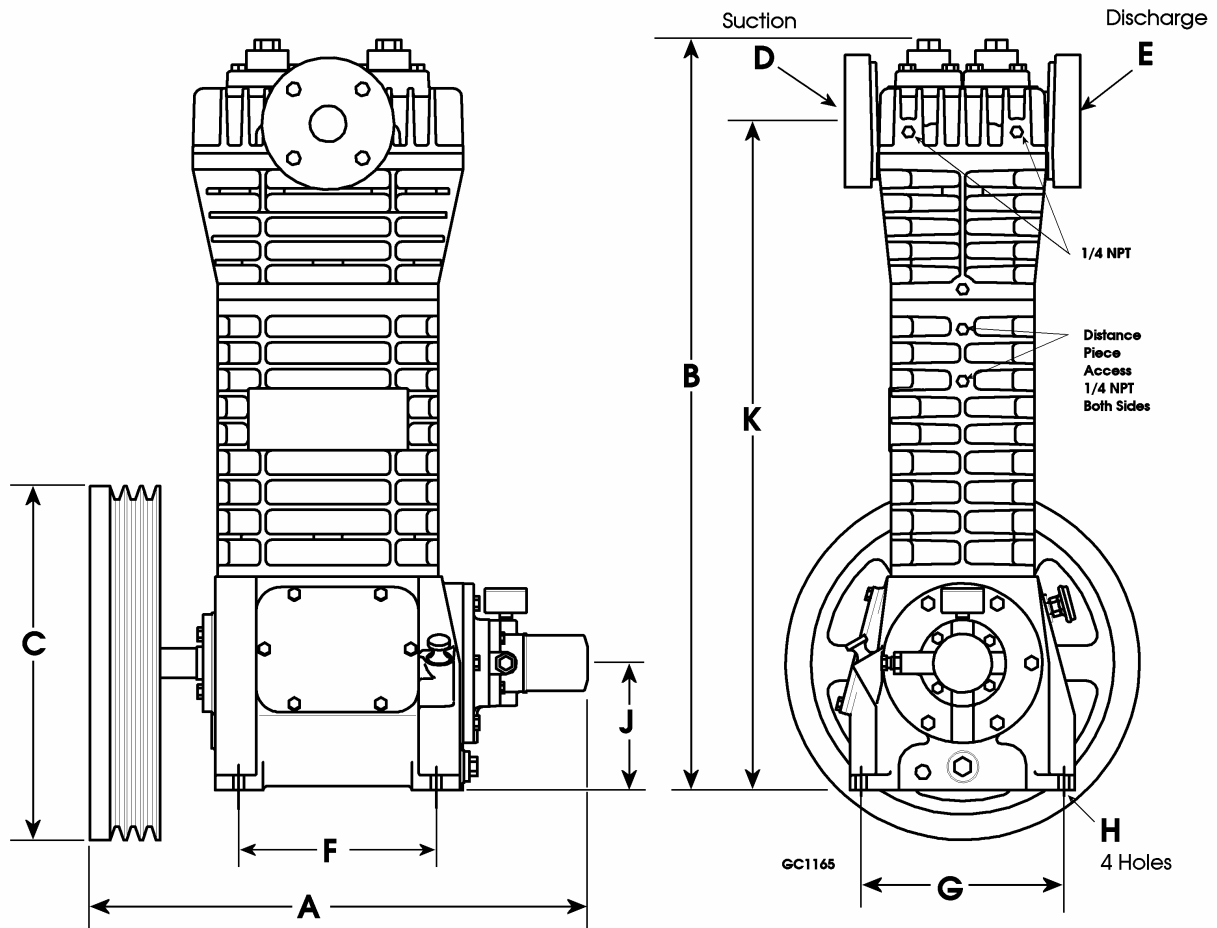


In. (mm)

Model	A	B *	C	D	E	F	G	H	J	K
HD161C	21.9 (556)	25.7 (653)	16.35 (415)	3/4 NPT	3/4 NPT	7.5 (190)	7.38 (187)	0.44 (11)	5.38 (137)	23.34 (593)
HD162C	21.9 (556)	29.7 (754)	16.35 (415)	3/4 NPT	3/4 NPT	7.5 (190)	7.38 (187)	0.44 (11)	5.38 (137)	27.34 (694)
HD163C	21.9 (556)	33.7 (856)	16.35 (415)	3/4 NPT	3/4 NPT	7.5 (190)	7.38 (187)	0.44 (11)	5.38 (137)	31.34 (796)

\* Add 2.7" (69 mm) for units with unloaders.

**DIMENSIONS:**  
**HD361C, HD362C, HD363C**  
**HD602C, HD603C**



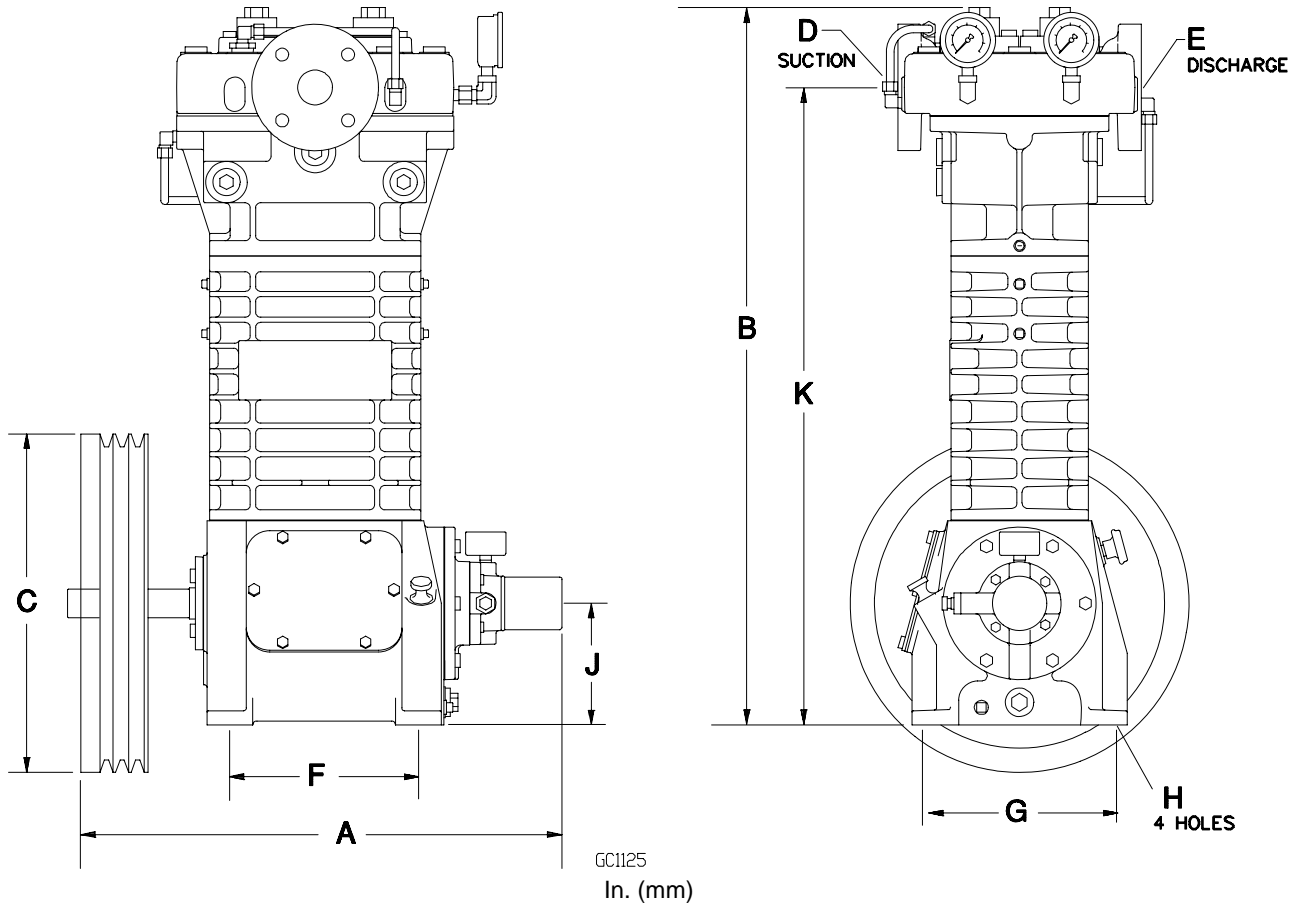
In. (mm)

Model	A	B *	C	D	E	F	G	H	J	K
HD361C	23.4 (594)	30.0 (763)	16.35 (415)	1.5" ANSI 300#	1.5" ANSI 300#	9.12 (232)	9.37 (238)	0.5 (12.7)	5.88 (149)	26.13 (663)
HD362C	23.4 (594)	34.7 (880)	16.35 (415)			9.12 (232)	9.37 (238)	0.5 (12.7)	5.88 (149)	30.79 (782)
HD363C	23.4 (594)	39.3 (998)	16.35 (415)			9.12 (232)	9.37 (238)	0.5 (12.7)	5.88 (149)	35.4 (900)
HD602C	25.6 (650)	41.0 (1,042)	20.35 (517)	2" ANSI 300#	2" ANSI 300#	10.5 (267)	12.0 (305)	0.56 (14.2)	8.25 (210)	37.0 (940)
HD603C	25.6 (650)	47.1 (1,196)	20.35 (517)			10.5 (267)	12.0 (305)	0.56 (14.2)	8.25 (210)	43.1 (1,095)

\* For units with Unloaders, add 1.6" (40mm).

# DIMENSIONS:

**HDL322C, HDL342C, HDL343C, HDL362C, HDL363C,  
HDL602C, HDL603C, HDL642C, HDL643C**



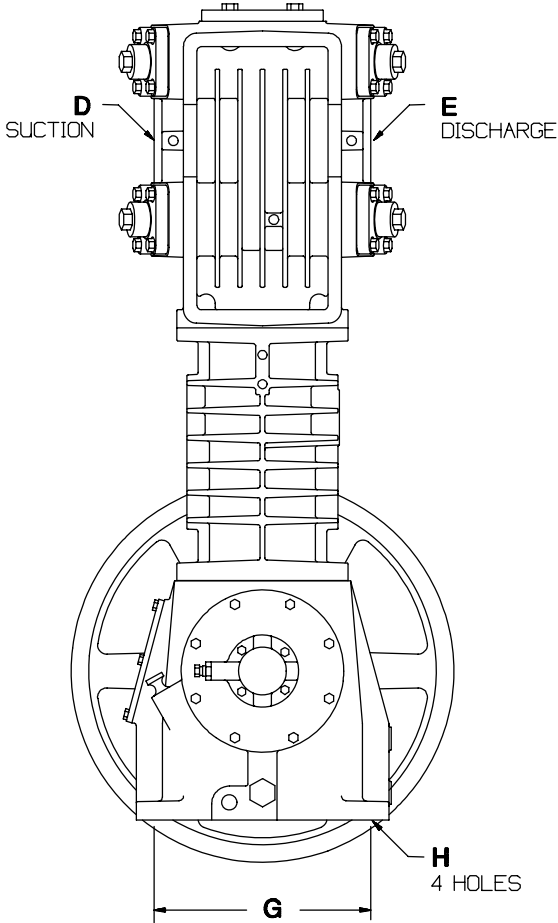
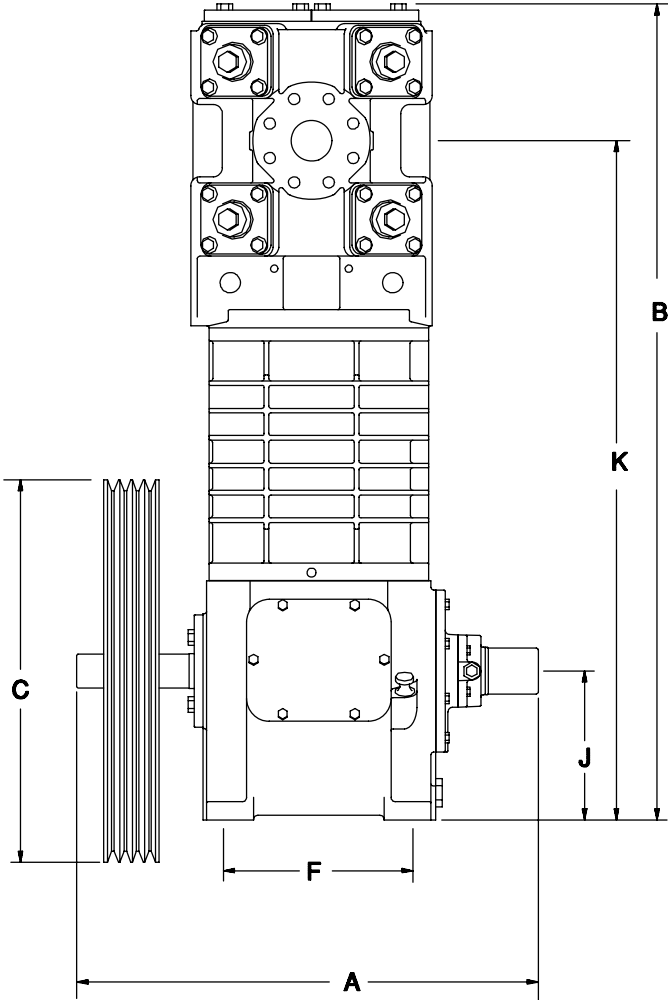
Model	A	B *	C	D	E	F	G	H	J	K
HDL362C	23.4 (594)	34.7 (880)	16.35 (415)	1.5" ANSI 300#	1.5" ANSI 300#	9.12 (232)	9.37 (238)	0.5 (12.7)	5.88 (149)	30.79 (782)
HDL363C	23.4 (594)	39.3 (998)	16.35 (415)	1.5" ANSI 300#	1.5" ANSI 300#	9.12 (232)	9.37 (238)	0.5 (12.7)	5.88 (149)	35.4 (900)
HDL322C HDL342C	23.4 (594)	34.7 (880)	16.35 (415)	1.5" ANSI 600#	1.5" ANSI 600#	9.12 (232)	9.37 (238)	0.5 (12.7)	5.88 (149)	30.79 (782)
HDL343C	23.4 (594)	39.3 (998)	16.35 (415)	1.5" ANSI 300#	1.5" ANSI 300#	9.12 (232)	9.37 (238)	0.5 (12.7)	5.88 (149)	35.4 (900)
HDL602C	25.6 (650)	41.0 (1,042)	20.35 (517)	2" ANSI 300#	2" ANSI 300#	10.5 (267)	12.0 (305)	0.56 (14.2)	8.25 (210)	37.0 (940)
HDL603C	25.6 (650)	47.1 (1,196)	20.35 (517)	2" ANSI 300#	2" ANSI 300#	10.5 (267)	12.0 (305)	0.56 (14.2)	8.25 (210)	43.1 (1,095)
HDL642C	25.6 (650)	41.0 (1,042)	20.35 (517)	2" ANSI 600#	2" ANSI 600#	10.5 (267)	12.0 (305)	0.56 (14.2)	8.25 (210)	37.0 (940)
HDL643C	25.6 (650)	47.1 (1,196)	20.35 (517)	2" ANSI 600#	2" ANSI 600#	10.5 (267)	12.0 (305)	0.56 (14.2)	8.25 (210)	43.1 (1,095)

\* For units with Unloaders, add 1.6" (40mm).

Note: Pressure gages shown are optional.



# DIMENSIONS: HD942B, HDL942B

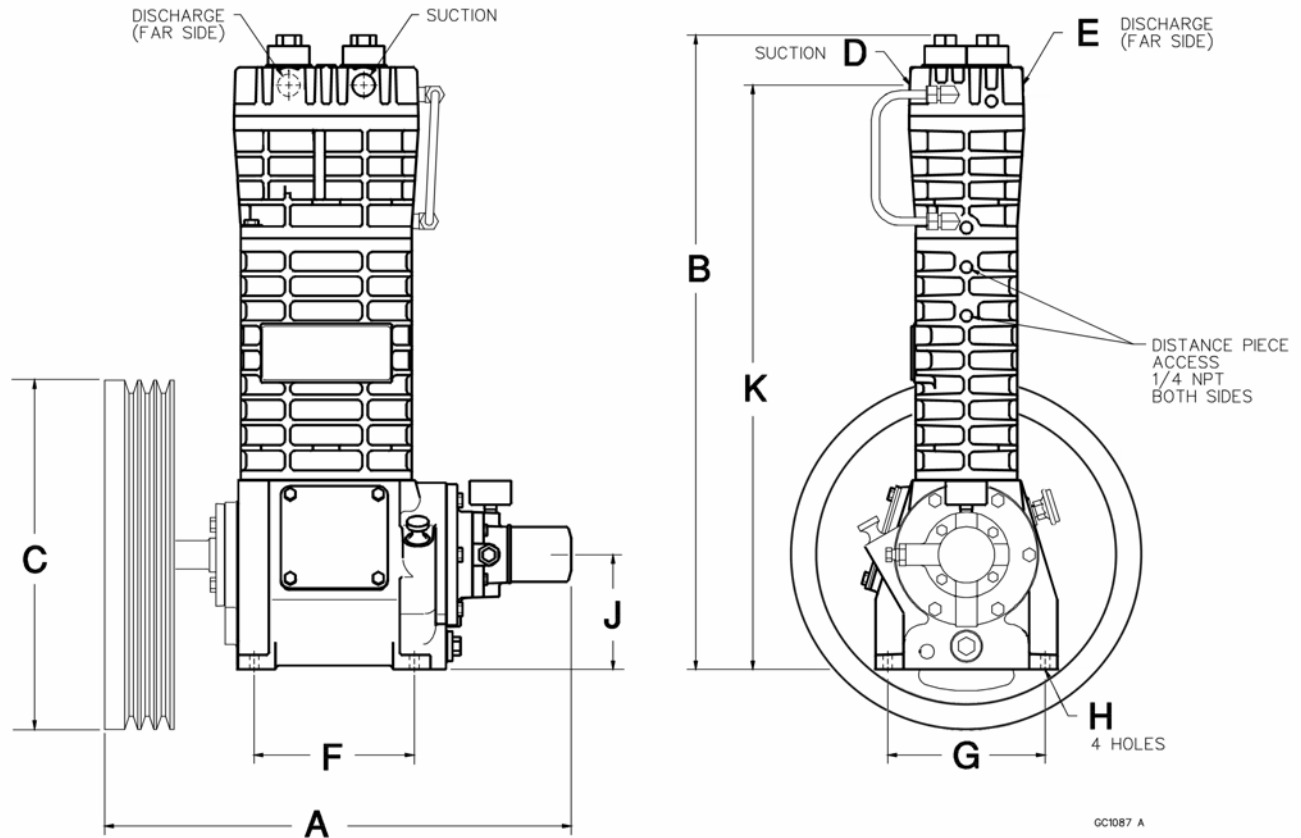


GC1047

In. (mm)

Model	A	B	C	D	E	F	G	H	J	K
HD942B	25.56 (649)	45.23 (1,149)	21.2 (538)	2" ANSI 300#	2" ANSI 300#	10.5 (267)	12.0 (305)	0.56 (14.2)	8.25 (210)	37.63 (956)
HDL942B	25.56 (649)	45.84 (1,164)	21.2 (538)	2" ANSI 300#	2" ANSI 300#	10.5 (267)	12.0 (305)	0.56 (14.2)	8.25 (210)	37.63 (956)

# DIMENSIONS: HD172C, HD173C, HDL172C, HDL173C

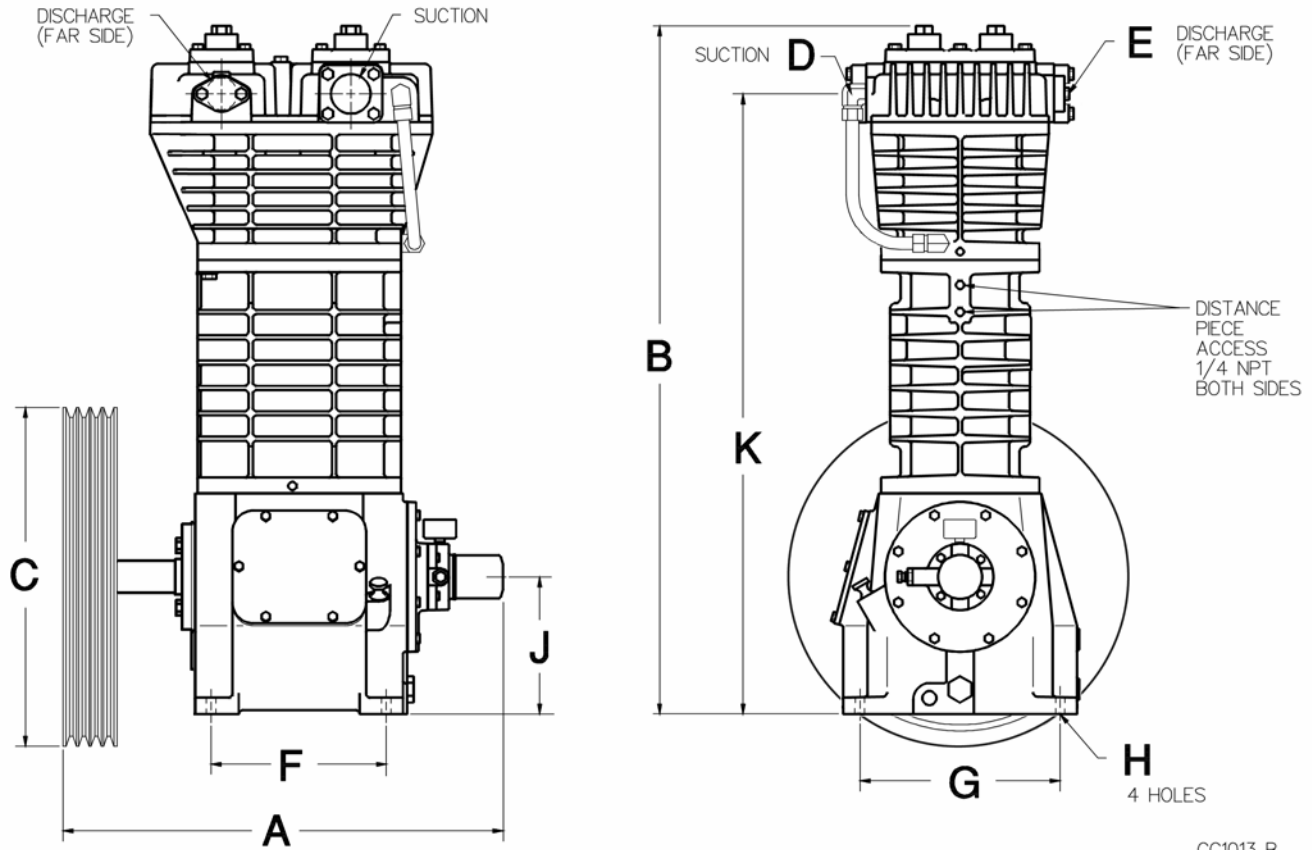


In. (mm)

Model	A	B*	C	D	E	F	G	H	J	K
HD172C	21.9 (556)	29.7 (755)	16.35 (415)	3/4 NPT	3/4 NPT	7.5 (191)	7.38 (187)	0.44 (11)	5.37 (136)	27.37 (695)
HD173C	21.9 (556)	33.89 (861)	16.35 (415)	3/4 NPT	3/4 NPT	7.5 (191)	7.38 (187)	0.44 (11)	5.37 (136)	31.56 (802)
HDL172C	21.9 (556)	29.7 (755)	16.35 (415)	3/4 NPT	3/4 NPT	7.5 (191)	7.38 (187)	0.44 (11)	5.37 (136)	26.82 (681)
HDL173C	21.9 (556)	33.89 (861)	16.35 (415)	3/4 NPT	3/4 NPT	7.5 (191)	7.38 (187)	0.44 (11)	5.37 (136)	31.01 (788)

\* For units with Unloaders, add 2.7" (69 mm).

# DIMENSIONS: HD372C, HD373C, HD612C, HD613C



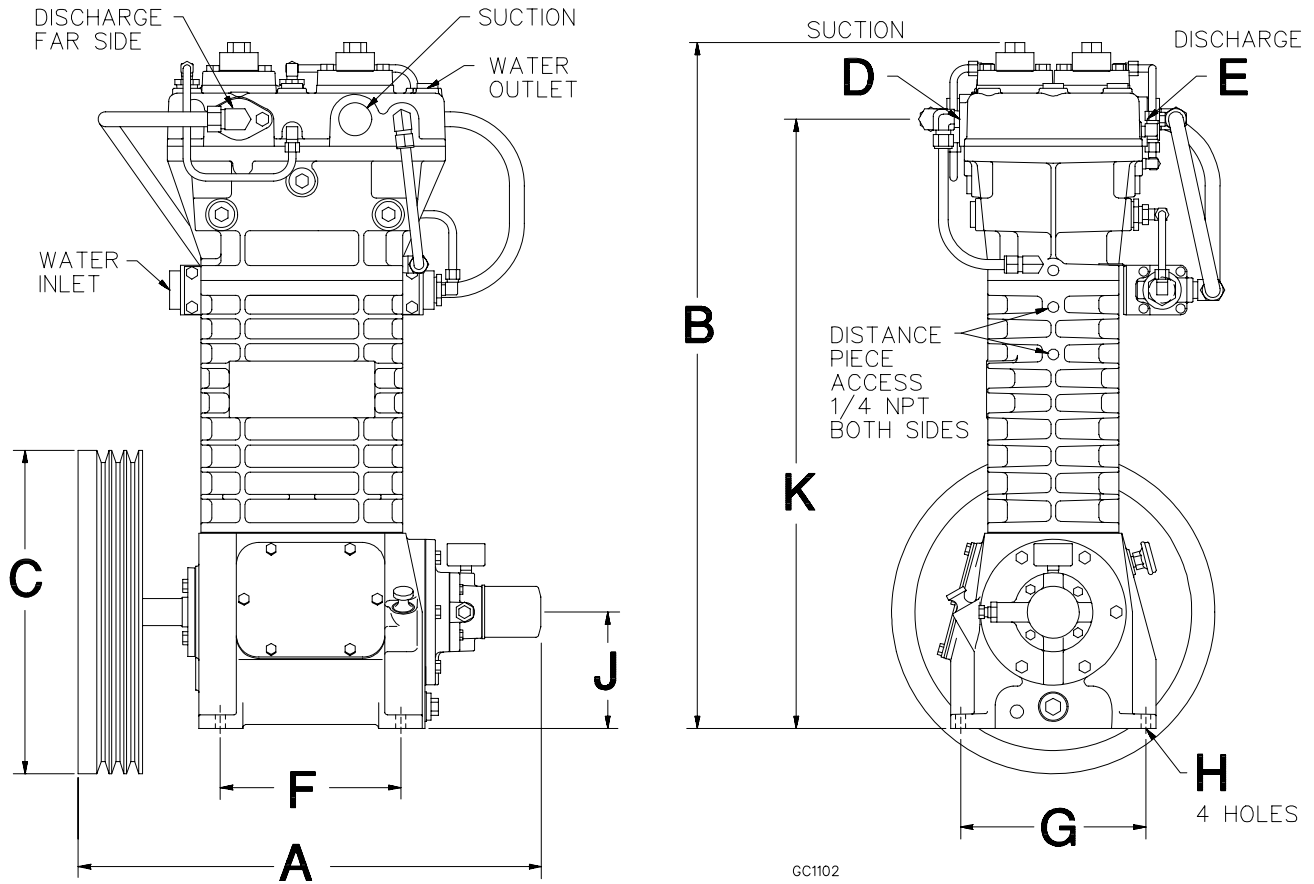
In. (mm)

Model	A	B	C	D	E	F	G	H	J	K
HD372C	23.4 (594)	34.7* (880*)	16.35 (415)	1¼ NPT	1 NPT	9.12 (232)	9.37 (238)	0.5 (12.7)	5.88 (149)	30.79 (782)
HD373C	23.4 (594)	39.3* (998*)	16.35 (415)	1¼ NPT	1 NPT	9.12 (232)	9.37 (238)	0.5 (12.7)	5.88 (149)	35.4 (900)
HD612C	26.4 (671)	41.3* (1,049*)	20.35 (517)	2**	1.5**	10.5 (267)	12.0 (305)	0.56 (14.2)	8.25 (210)	37.22 (945)
HD613C	26.4 (671)	47.42* (1,204*)	20.35 (517)	2**	1.5**	10.5 (267)	12.0 (305)	0.56 (14.2)	8.25 (210)	43.35 (1,101)

\* For units with Unloaders, add 1.6" (40 mm).

\*\* 2"NPT, 1.5"NPT, 2"WELD, & 1.5"WELD Available

# DIMENSIONS: HDL372C, HDL373C, HDL612C, HDL613C



In. (mm)

Model	A	B	C	D	E	F	G	H	J	K
HDL372C	23.4 (594)	34.7* (880*)	16.35 (415)	1.25 NPT	1 NPT	9.12 (232)	9.37 (238)	0.5 (12.7)	5.88 (149)	30.79 (782)
HDL373C	23.4 (594)	39.3* (998*)	16.35 (415)	1.25 NPT	1 NPT	9.12 (232)	9.37 (238)	0.5 (12.7)	5.88 (149)	35.4 (900)
HDL612C	26.4 (671)	41.3* (1,049*)	20.35 (517)	2**	1.5**	10.5 (267)	12.0 (305)	0.56 (14.2)	8.25 (210)	37.22 (945)
HDL613C	26.4 (671)	47.42* (1,204*)	20.35 (517)	2**	1.5**	10.5 (267)	12.0 (305)	0.56 (14.2)	8.25 (210)	43.35 (1,101)

\* On units with Unloaders, add 1.6" (40 mm).

\*\* 2"NPT, 1.5"NPT, 2"WELD, & 1.5"WELD Available