



HD162A PARTS LIST

Discontinued Model – parts availability may be limited.

Serial # _____

ID# _____

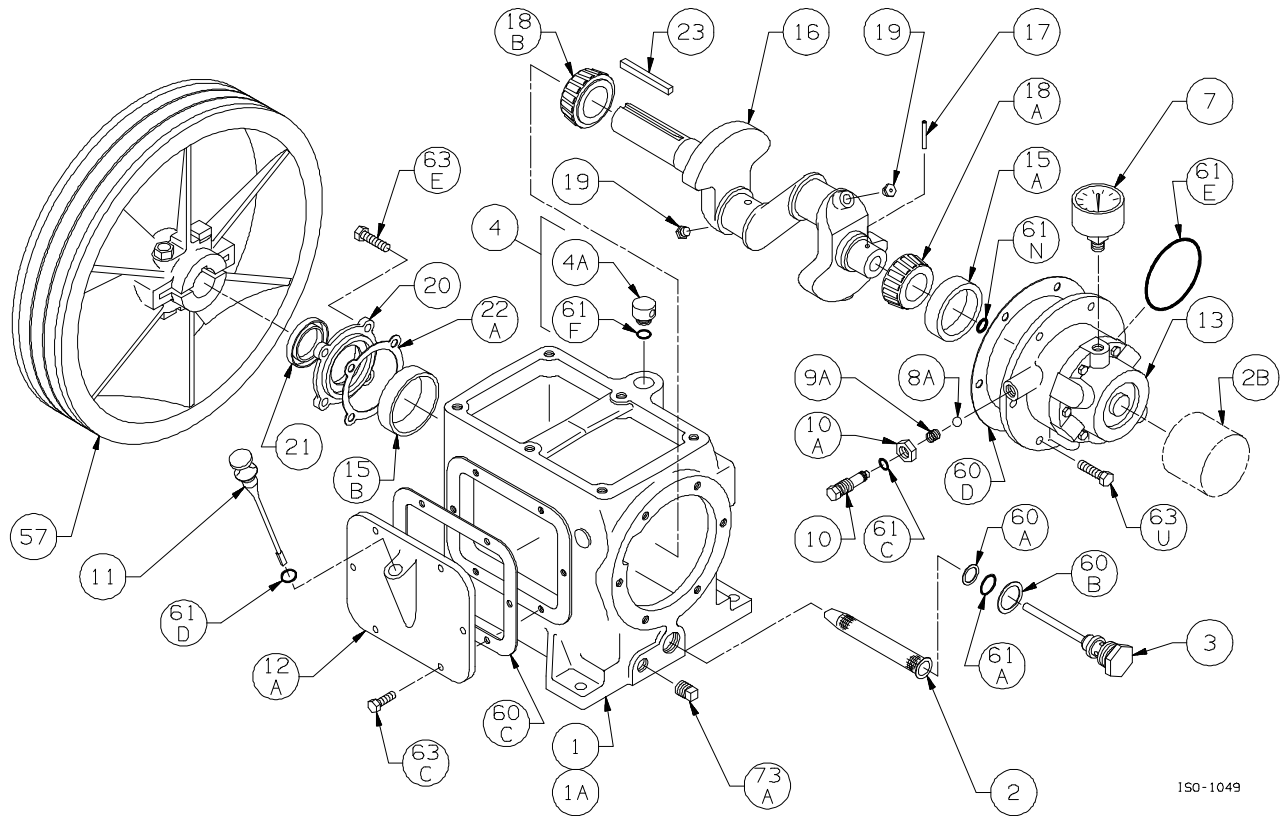
Gasket Sets and Special Tools

| | | |
|---------------------------------|---------------------------|--------|
| Gasket Set | Buna-N & Iron | 792598 |
| | FKM & Iron | 792596 |
| | PTFE & Iron | 792597 |
| | Neoprene & Iron | 792595 |
| | Ethylene Propylene & Iron | 792594 |
| Packing Installation Tool | | 790536 |
| Spanner Wrench, 1/4" Adjustable | | 790316 |
| Wrench for Valve Holdown Screw | | 790535 |
| Tool Kit | | 790199 |

Bulletins Needed For Complete Parts List

| | |
|---------------------|--------|
| This page | 9E-020 |
| Crankcase | 9F-010 |
| Oil Pump | 9G-010 |
| Crosshead | 9J-020 |
| Cylinder | 9L-020 |
| Head | 9M-010 |
| Head with Unloaders | 9M-020 |

Notes:



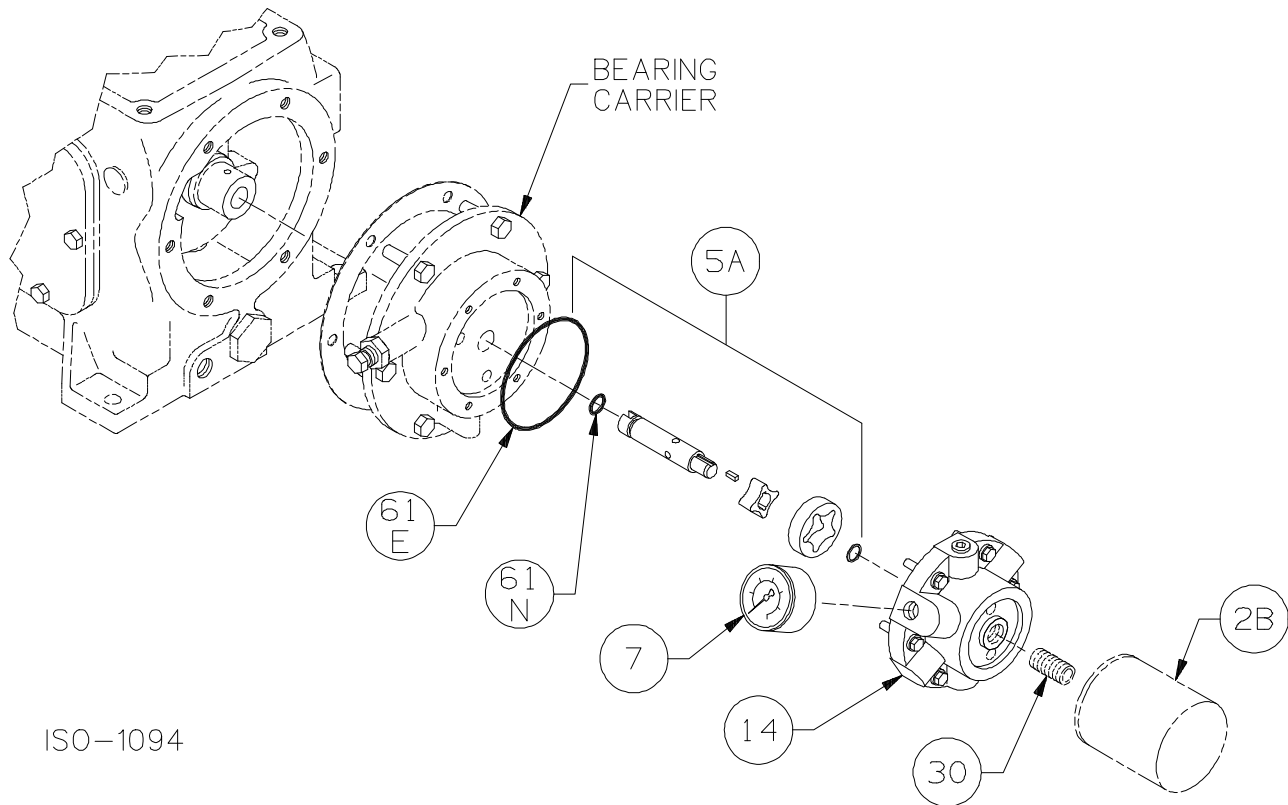
Crankcase Assembly: Models HD161A, HD162A, HD172A

ISO1049

| Ref | Description | Qty | Part No |
|-----|--|-----|---------|
| 1 | Crankcase Assembly (Less Flywheel) | 1 | 792119 |
| 1A | Crankcase | 1 | 792134 |
| 2 | Oil Intake Screen | 1 | 792135 |
| 2B | Oil Filter | 1 | 790003 |
| 3 | Oil Screen Plug | 1 | 792145 |
| 4 | Breather Assembly | 1 | 793149 |
| 4A | Breather Cap | 1 | 792144 |
| 7 | Oil Pressure Gauge | 1 | 790012 |
| 8A | Oil Pressure Adjusting Ball | 1 | 792154 |
| 9A | Oil Pressure Adjusting Spring | 1 | 792153 |
| 10 | Oil Pressure Adjusting Screw | 1 | 792148 |
| 10A | Locknut | 1 | 792152 |
| 11 | Oil Bayonet Assembly | 1 | 792162 |
| 12A | Inspection Plate | 1 | 792131 |
| 13 | Bearing Carrier Assembly | 1 | 792179 |
| | Bearing Carrier Assembly with Oil Filter | | 792170 |
| 15A | Bearing Cup (Outboard) | 1 | 792138 |
| 15B | Bearing Cup (Inboard) | 1 | 792126 |
| 16 | Crankshaft Assembly (w/ 18A, 18B, 19) | 1 | 792159 |
| | Crankshaft Assembly - Extended | | 792169 |
| 17 | Oil Pump Drive Pin | 1 | 792147 |
| 18A | Bearing Cone (Outboard) | 1 | 792142 |

| Ref | Description | Qty | Part No |
|-----|-------------------------------------|-----|---------|
| 18B | Bearing Cone (Inboard) | 1 | 792127 |
| 19 | Orifice | 2 | 792146 |
| 20 | Bearing Cover Plate | 1 | 792137 |
| 21 | Oil Seal | 1 | 792143 |
| 22A | Bearing Adjustment Shim Kit | 1 | 792133 |
| 23 | Key | 1 | 792167 |
| 57 | Flywheel Assembly | 1 | 792128 |
| 60A | Gasket - Oil Screen * | 1 | 792136 |
| 60B | Gasket - Oil Screen Plug * | 1 | 792123 |
| 60C | Gasket - Inspection Plate * | 1 | 792122 |
| 60D | Gasket - Bearing Carrier Assembly * | 1 | 792124 |
| 61A | O-Ring - Oil Screen * | 1 | 792175 |
| 61C | O-Ring - Adjusting Screw * | 1 | 792168 |
| 61D | O-Ring - Oil Bayonet * | 1 | 792174 |
| 61E | O-Ring - Oil Pump Cover * | 1 | 792186 |
| 61F | O-Ring - Breather Cap * | 1 | 792173 |
| 61N | O-Ring - Oil Pump Shaft * | 1 | 792174 |
| 63C | Capscrew - Hex Hd | 6 | 793116 |
| 63E | Capscrew - Hex Hd | 4 | 793158 |
| 63U | Capscrew - Hex Hd | 6 | 792093 |
| 73A | Pipe Plug | 1 | 792166 |

* Included in Gasket Sets



ISO-1094

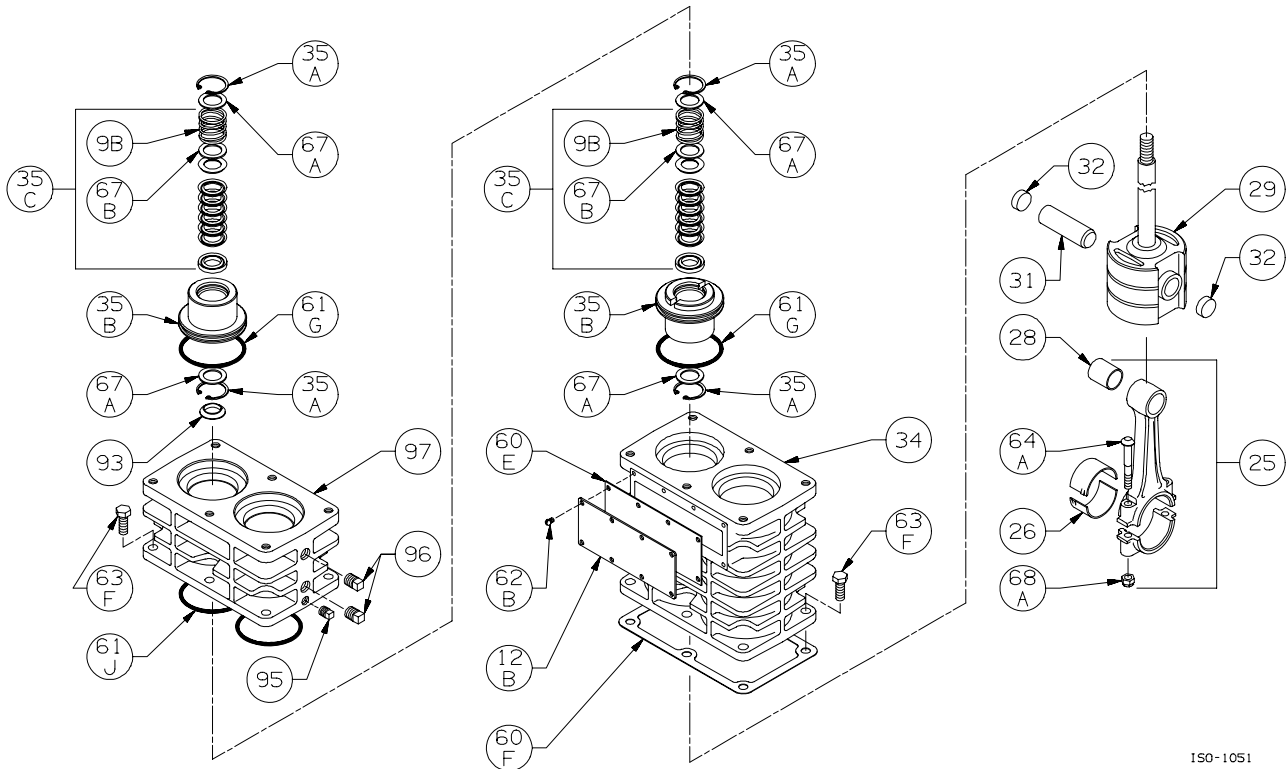
Oil Pump Detail:

Models HD161A, HD162A, HD172A,
 HD361A, HD362A, HD363A, HD372A, HD373A, HDL372A,
 HD601A, HD602A, HD603A, HD612A, HDL612A

ISO1094

| Ref | Description | Qty | Part No |
|-----|--|-----|---------|
| 2B | Oil Filter | 1 | 790003 |
| 5A | Oil Pump Kit (w/ 61E, 61N) 160, 170, 360 & 370 Series | 1 | 798855 |
| | 600 & 610 Series | 1 | 798856 |
| 7 | Oil Pressure Gauge | 1 | 790012 |
| 14 | Oil Pump Cover | 1 | 792181 |
| | Oil Pump Cover - For Filter | | 790001 |
| 30 | Oil Filter Fitting | 1 | 790002 |
| 61E | O-Ring - Oil Pump Cover * | 1 | 792186 |
| 61N | O-Ring - Oil Pump Shaft * | 1 | 792174 |

* Included in Gasket Sets



ISO-1051

Crosshead Assembly: Models HD162A

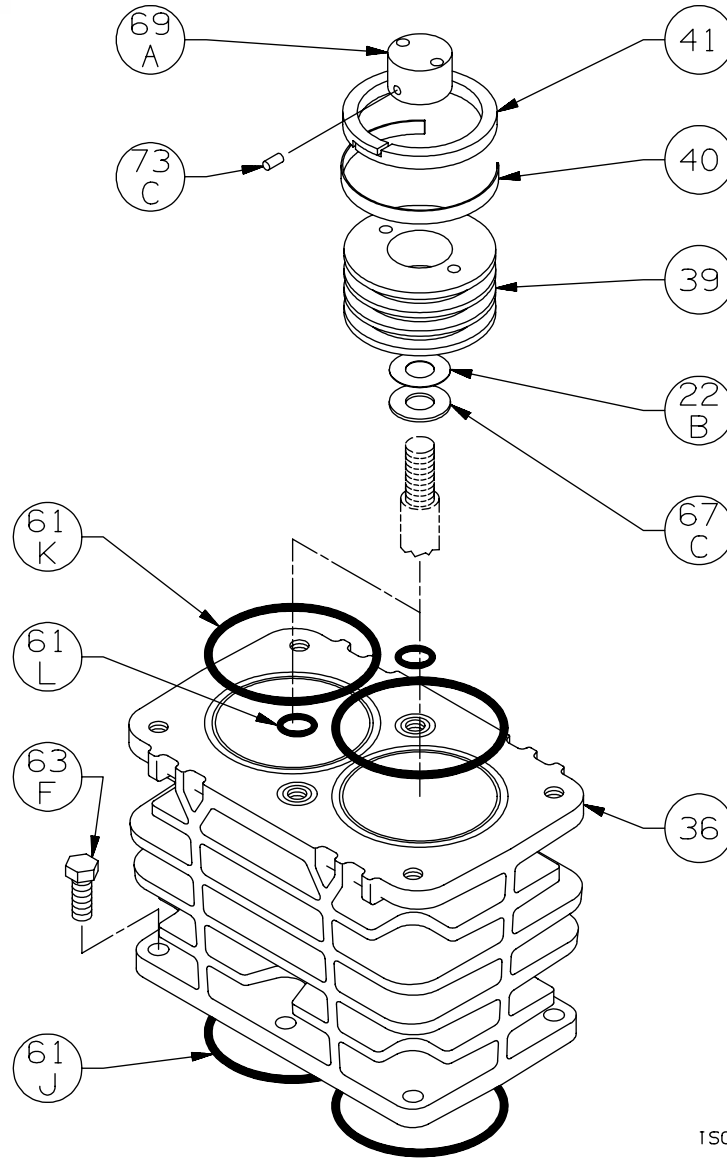
ISO1051

| Ref | Description | Qty | Part No |
|-----|-----------------------------|-----|---------|
| 9B | Packing Spring | 4 | 792077 |
| 12B | Inspection Plate | 1 | 792017 |
| 25 | Connecting Rod Assembly | 2 | 792009 |
| 26 | Connecting Rod Bearing | 2 | 792012 |
| 28 | Wrist Pin Bushing ** | 2 | 792013 |
| 29 | Crosshead Assembly | 2 | 792429 |
| 31 | Wrist Pin | 2 | 792014 |
| 32 | Wrist Pin Plug | 4 | 792178 |
| 34 | Crosshead Guide | 1 | 792491 |
| 35A | Retainer Ring | 8 | 792088 |
| 35B | Packing Box | 4 | 793481 |
| | Packing Box TNT-12 | | 792811 |
| 35C | Packing Set | 4 | 793510 |
| 60E | Gasket - Inspection Plate * | 1 | 792092 |
| 60F | Gasket - Crankcase * | 1 | 792121 |

| Ref | Description | Qty | Part No |
|-----|----------------------------------|-----|---------|
| 61G | O-Ring (Buna-N) Std * | 4 | 793484 |
| | O-Ring (FKM) * | | 793485 |
| | O-Ring (PTFE) * | | 793486 |
| | O-Ring (Neoprene) * | | 793488 |
| | O-Ring (Ethylene Propylene) * | | 793487 |
| 61J | O-Ring (Buna-N) Std * | 2 | 792412 |
| | O-Ring (FKM) * | | 792413 |
| | O-Ring (PTFE) * | | 792414 |
| | O-Ring (Neoprene) * | | 792410 |
| | O-Ring (Ethylene Propylene) * | | 792411 |
| 62B | Machine Screw - Inspection Plate | 8 | 793096 |
| 63F | Capscrew - Hex Hd | 12 | 792093 |
| 64A | Connecting Rod Bolt | 4 | 792006 |
| 67A | Washer - Packing Box | 8 | 792083 |
| 67B | Washer - Packing Spring | 4 | 792087 |
| 68A | Connecting Rod Bolt Nut | 4 | 792005 |
| 93 | Oil Deflector Ring | 2 | 793478 |
| 95 | Pipe Plug | 2 | 793497 |
| 96 | Pipe Plug | 4 | 793498 |
| 97 | Distance Piece | 1 | 792400 |

* Included in Gasket Sets

** Must be honed after installing



ISO-1053

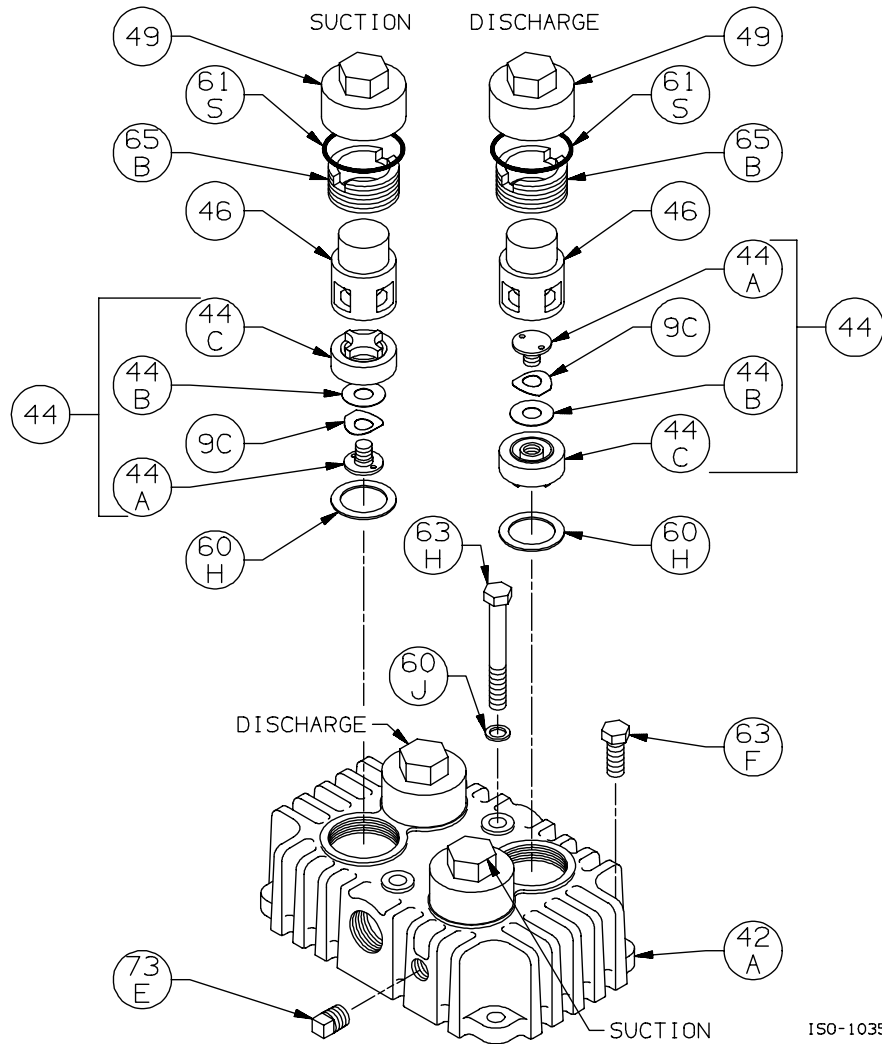
Cylinder Assembly: Models HD162A

ISO1053

| Ref | Description | Qty | Part No |
|-----|-------------------------------|-----|---------|
| 22B | Piston Shim - 0.015 | AR | 792034 |
| | Piston Shim - 0.007 | AR | 792050 |
| 36 | Cylinder | 1 | 792401 |
| | Cylinder TNT-12 | | 792802 |
| 39 | Piston | 2 | 792431 |
| | Piston TNT-12 | | 792807 |
| 40 | Expander | 6 | 794615 |
| 41 | Piston Ring - Std | 6 | 792420 |
| | Piston Ring - Poly Filled | | 792421 |
| 61J | O-Ring (Buna-N) Std * | 2 | 792412 |
| | O-Ring (FKM) * | | 792413 |
| | O-Ring (PTFE) * | | 792414 |
| | O-Ring (Neoprene) * | | 792410 |
| | O-Ring (Ethylene Propylene) * | | 792411 |

* Included in Gasket Sets

| Ref | Description | Qty | Part No |
|-----|-------------------------------|-----|---------|
| 61K | O-Ring (Buna-N) Std * | 2 | 792112 |
| | O-Ring (FKM) * | | 792213 |
| | O-Ring (PTFE) * | | 792210 |
| | O-Ring (Neoprene) * | | 792110 |
| | O-Ring (Ethylene Propylene) * | | 792206 |
| 61L | O-Ring (Buna-N) Std * | 2 | 792114 |
| | O-Ring (FKM) * | | 792212 |
| | O-Ring (PTFE) * | | 792211 |
| | O-Ring (Neoprene) * | | 792118 |
| | O-Ring (Ethylene Propylene) * | | 792207 |
| 63F | Cap screw - Hex Hd | 6 | 792093 |
| 67C | Thrust Washer | 2 | 792033 |
| 69A | Piston Nut | 2 | 793022 |
| | Piston Nut TNT-12 | | 792808 |
| 73C | Lock Plug * | 4 | 793028 |



ISO-1035

Head Assembly:

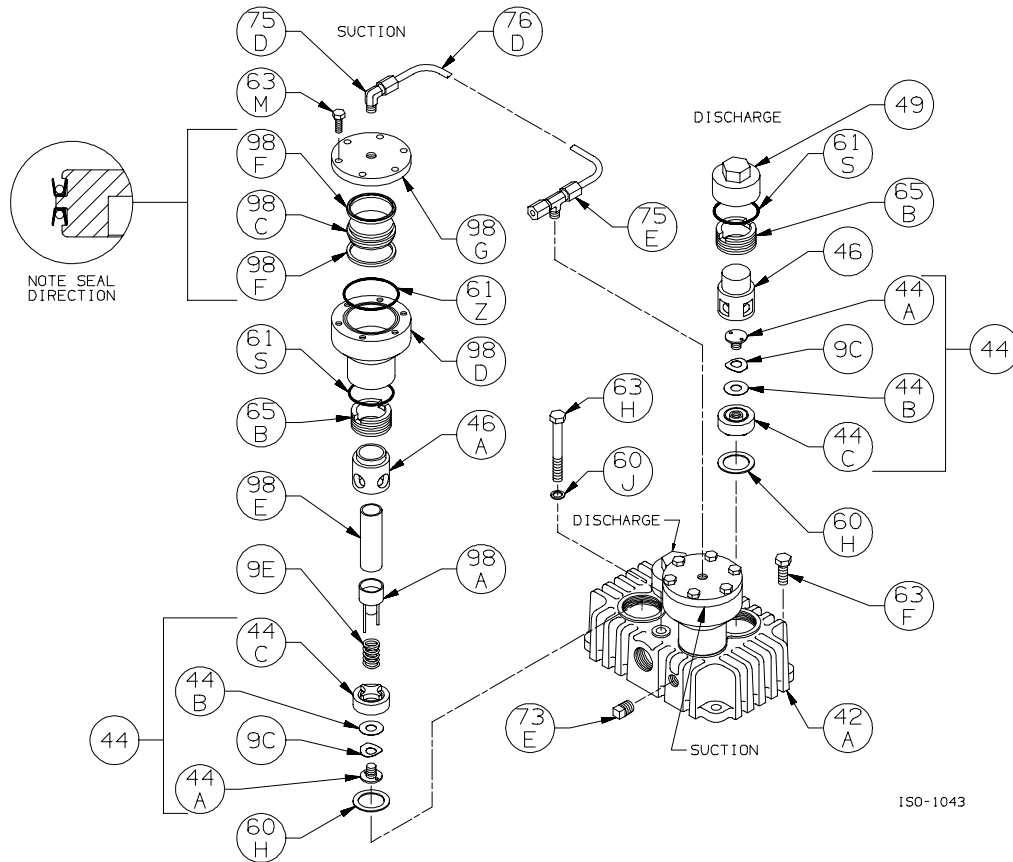
Models HD161A, HD161B, HD161C, HD162A, HD162B, HD162C, HD163B, HD163C

ISO1035

| Ref | Description | Qty | Part No |
|-----|-------------------------------|-----|------------------|
| 9C | Valve Spring | 4 | 792052 |
| 42A | Head Head TNT-12 | 1 | 792111 792800 |
| 44 | Valve Assembly | 4 | 792056 |
| 44A | Valve Bumper | 4 | 792054 |
| 44B | Valve Disc | 4 | 792053 |
| 44C | Valve Body | 4 | 792055 |
| 46 | Cage Cage TNT-12 | 4 | 792051 792803 |
| 49 | Valve Cap Valve Cap TNT-12 | 4 | 792003 792804 |
| 60H | Gasket - Valve * | 4 | 792201 |
| 60J | Gasket - Center Head Bolt * | 2 | 792203 |

| Ref | Description | Qty | Part No |
|-----|---|-----|------------------|
| 61S | O-Ring (Buna-N) Std * | 4 | 792306 |
| | O-Ring (FKM) * | | 792308 |
| | O-Ring (PTFE) * | | 792307 |
| | O-Ring (Neoprene) * | | 792309 |
| | O-Ring (Ethylene Propylene) * | | 792310 |
| 63F | Capscrew - Hex Hd | 4 | 792093 |
| 63H | Capscrew - Hex Hd Capscrew - Hex Hd TNT-12 | 2 | 792095 792805 |
| 65B | Valve Holddown Screw Valve Holddown Screw TNT-12 | 4 | 792002 792806 |
| 73E | Pipe Plug | 2 | 793498 |

* Included in Gasket Sets



ISO-1043

Head Assembly with Unloaders:

Models HD161A, HD161B, HD161C, HD162A, HD162B, HD162C, HD163B, HD163C

ISO1043

| Ref | Description | Qty | Part No |
|-----|-------------------------------|-----|------------------|
| 9C | Valve Spring | 4 | 792052 |
| 9E | Unloader Spring | 2 | 793293 |
| 42A | Head Head TNT-12 | 1 | 792111 792800 |
| 44 | Valve Assembly | 4 | 792056 |
| 44A | Valve Bumper | 4 | 792054 |
| 44B | Valve Disc | 4 | 792053 |
| 44C | Valve Body | 4 | 792055 |
| 46 | Cage Cage TNT-12 | 2 | 792051 792803 |
| 46A | Cage | 2 | 792282 |
| 49 | Valve Cap Valve Cap TNT-12 | 2 | 792003 792804 |
| 60H | Gasket - Valve * | 4 | 792201 |
| 60J | Gasket - Center Head Bolt * | 2 | 792203 |
| 61S | O-Ring (Buna-N) Std * | 4 | 792306 |
| | O-Ring (FKM) * | | 792308 |
| | O-Ring (PTFE) * | | 792307 |
| | O-Ring (Neoprene) * | | 792309 |
| | O-Ring (Ethylene Propylene) * | | 792310 |

| Ref | Description | Qty | Part No |
|-----|---|-----|------------------|
| 61Z | O-Ring (Buna-N) Std * | 2 | 792311 |
| | O-Ring (FKM) * | | 792313 |
| | O-Ring (PTFE) * | | 792312 |
| | O-Ring (Neoprene) * | | 792314 |
| | O-Ring (Ethylene Propylene) * | | 792320 |
| 63F | Capscrew - Hex Hd | 4 | 792093 |
| 63H | Capscrew - Hex Hd Capscrew - Hex Hd TNT-12 | 2 | 792095 792805 |
| 63M | Capscrew - Hex Hd | 12 | 790053 |
| 65B | Valve Holddown Screw Valve Holddown Screw TNT-12 | 4 | 792002 792806 |
| 73E | Pipe Plug | 2 | 793498 |
| 75D | Tube Elbow | 1 | 790355 |
| 75E | Tube Tee | 1 | 790356 |
| 76D | Tube | 1 | 790192 |
| 98A | Actuator Assembly | 2 | 792296 |
| 98C | Unloader Piston | 2 | 793288 |
| 98D | Unloader Body | 2 | 792286 |
| 98E | Unloader Plunger | 2 | 793290 |
| 98F | Unloader Seal | 4 | 792284 |
| 98G | Unloader Cap | 2 | 793287 |

* Included in Gasket Sets



Suggested Spare Parts for HD162A Compressors:

| Part # | Description | Qty./Unit | Comm. Qty. | Spare Qty. |
|--|--|-----------|------------|------------|
| 792598 | Gasket Set - Buna-N | 1 | 1 | 1 |
| 792597 | Gasket Set - PTFE * | | | |
| 792596 | Gasket Set - FKM * | | | |
| 792595 | Gasket Set - Neoprene * | | | |
| 792594 | Gasket Set - Ethylene Propylene * | | | |
| 792056 | Suction Valve | 2 | | 2 |
| 792056 | Discharge Valve | 2 | | 2 |
| 792284 | Unloader Seal * | 4 | | 4 |
| 792420 | Piston Ring - Standard | 6 | 6 | 6 |
| 792421 | Piston Ring - Poly Filled * | | | |
| 794615 | Piston Ring Expander | 6 | 6 | 6 |
| 793510 | Packing Set | 4 | 4 | 4 |
| 790003 | Oil Filter * | 1 | | 6 |
| 792014 | Wrist Pin | 2 | | 2 |
| 792013 | Wrist Pin Bushing | 2 | 2 | 2 |
| 792012 | Conrod Bearing | 2 | 2 | 2 |
| The following parts would normally be required only for major compressor overhaul. | | | | |
| 792127 | Inboard Bearing Cone | 1 | | 1 |
| 792126 | Inboard Bearing Cup | 1 | | 1 |
| 792142 | Outboard Bearing Cone | 1 | | 1 |
| 792138 | Outboard Bearing Cup | 1 | | 1 |
| 792429 | Crosshead Assembly | 2 | | 1 |
| 792009 | Conrod Assembly | 2 | | 1 |
| 798855 | Oil Pump Repair Kit | 1 | | |
| 792159 | Crankshaft Assembly | 1 | | |
| 792169 | Extended Crankshaft Assembly * | | | |
| 792133 | Bearing Adjustment Shim Kit | 1 | | |
| 792401 | Cylinder | 1 | | |
| 792802 | Cylinder, TNT-12 PTFE / Nickel Treated * | | | |

* Optional Equipment on New Compressors