

HD361A PARTS LIST

Discontinued Model – parts availability may be limited.

Serial # _____

ID# _____

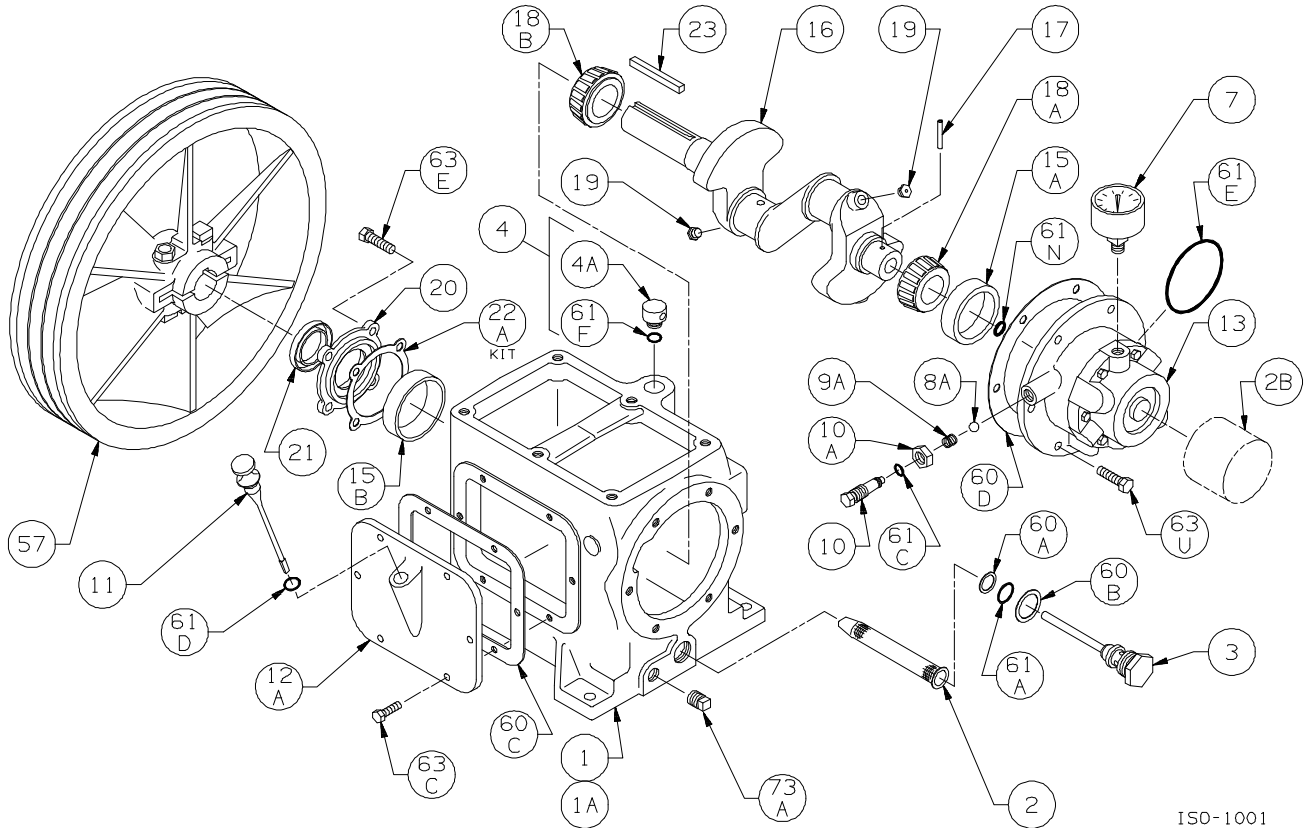
Gasket Sets and Special Tools

Gasket Set	Buna-N & Iron PTFE & Iron FKM & Iron Neoprene & Iron Ethylene Propylene & Iron	793198 793197 793196 793189 793182
Packing Installation Tool		790536
Spanner Wrench, 1/4" Adjustable		790316
Wrench for Valve Holdown Screw		790535
Tool Kit		790199

Bulletins Needed For Complete Parts List

This page	9E-060
Crankcase	9F-020
Oil Pump	9G-010
Crosshead	9J-040
Cylinder	9L-040
Head	9M-050
Head with Unloaders	9M-060

Notes:



ISO-1001

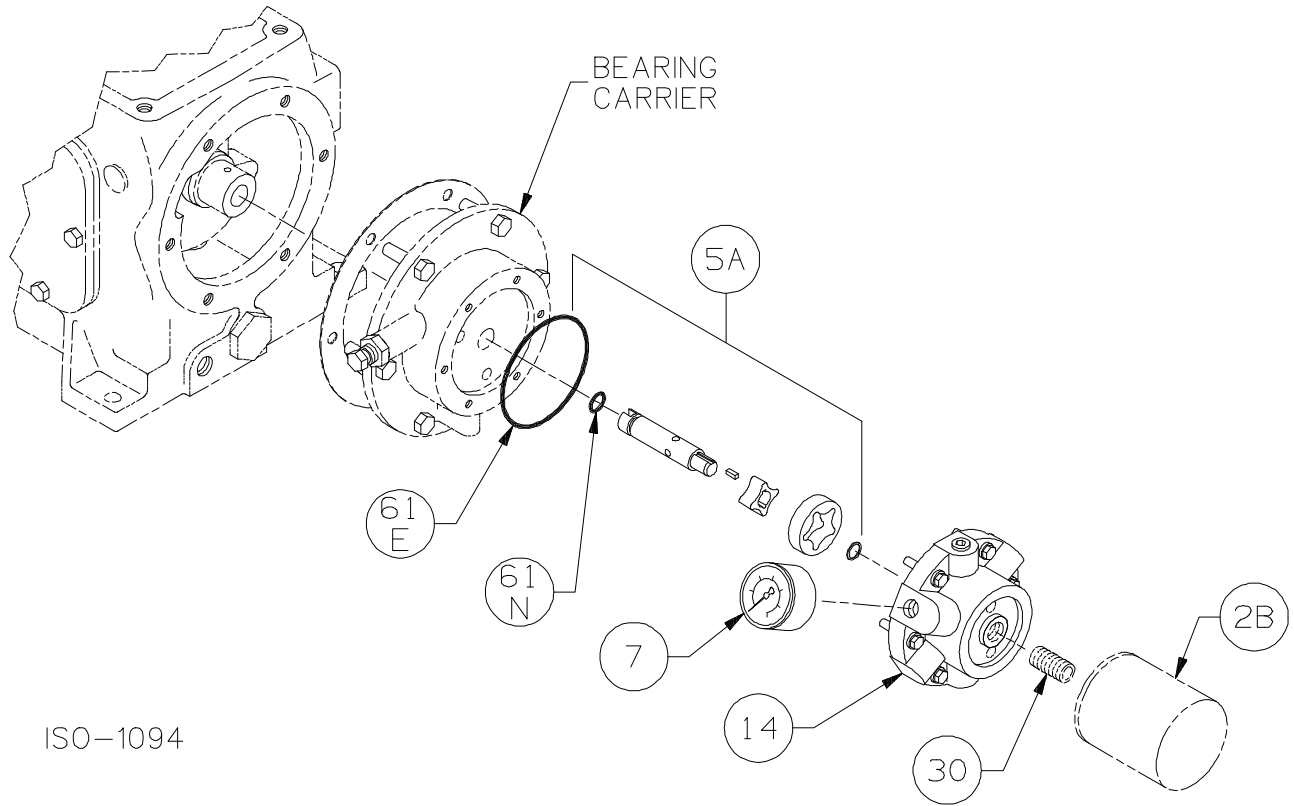
Crankcase Assembly: Models HD361A, HD362A, HD363A, HD372A, HD373A, HDL372A

ISO1001

Ref	Description	Qty	Part No
1	Crankcase Assembly (less flywheel)	1	793119
1A	Crankcase	1	793134
2	Oil Intake Screen	1	792135
2B	Oil Filter	1	790003
3	Oil Screen Plug	1	792145
4	Breather Assembly	1	793149
4A	Breather Cap	1	792144
7	Oil Pressure Gauge	1	790012
8A	Oil Pressure Adjusting Ball	1	792154
9A	Oil Pressure Adjusting Spring	1	792153
10	Oil Pressure Adjusting Screw	1	792148
10A	Locknut	1	792152
11	Oil Bayonet Assembly	1	793162
12A	Inspection Plate	1	793118
13	Bearing Carrier Assembly Bearing Carrier Assembly with Oil Filter	1	793179 793170
15A	Bearing Cup (Outboard)	1	792126
15B	Bearing Cup (Inboard)	1	793126
16	Crankshaft Assembly (w\ 18A,18B,19) Crankshaft Assembly - Extended	1	793159 793169
17	Oil Pump Drive Pin	1	792147
18A	Bearing Cone (Outboard)	1	792127

Ref	Description	Qty	Part No
18B	Bearing Cone (Inboard)	1	793142
19	Orifice	2	792146
20	Bearing Cover Plate	1	793137
21	Oil Seal	1	793143
22A	Bearing Adjustment Shim Kit	1	793133
23	Key	1	793167
57	Flywheel Assembly	1	793128
60A	Gasket - Oil Screen *	1	792136
60B	Gasket - Oil Screen Plug *	1	792123
60C	Gasket - Inspection Plate *	1	793122
60D	Gasket - Bearing Carrier Assembly *	1	793124
61A	O-Ring - Oil Screen *	1	792175
61C	O-Ring - Adjusting Screw *	1	792168
61D	O-Ring - Oil Bayonet *	1	792174
61E	O-Ring - Oil Pump Cover *	1	792186
61F	O-Ring - Breather Cap *	1	792173
61N	O-Ring - Oil Pump Shaft *	1	792174
63C	Capscrew - Hex Hd	6	793116
63E	Capscrew - Hex Hd	4	793158
63U	Capscrew - Hex Hd	6	792093
73A	Pipe Plug	1	792166

* Included in Gasket Sets



ISO-1094

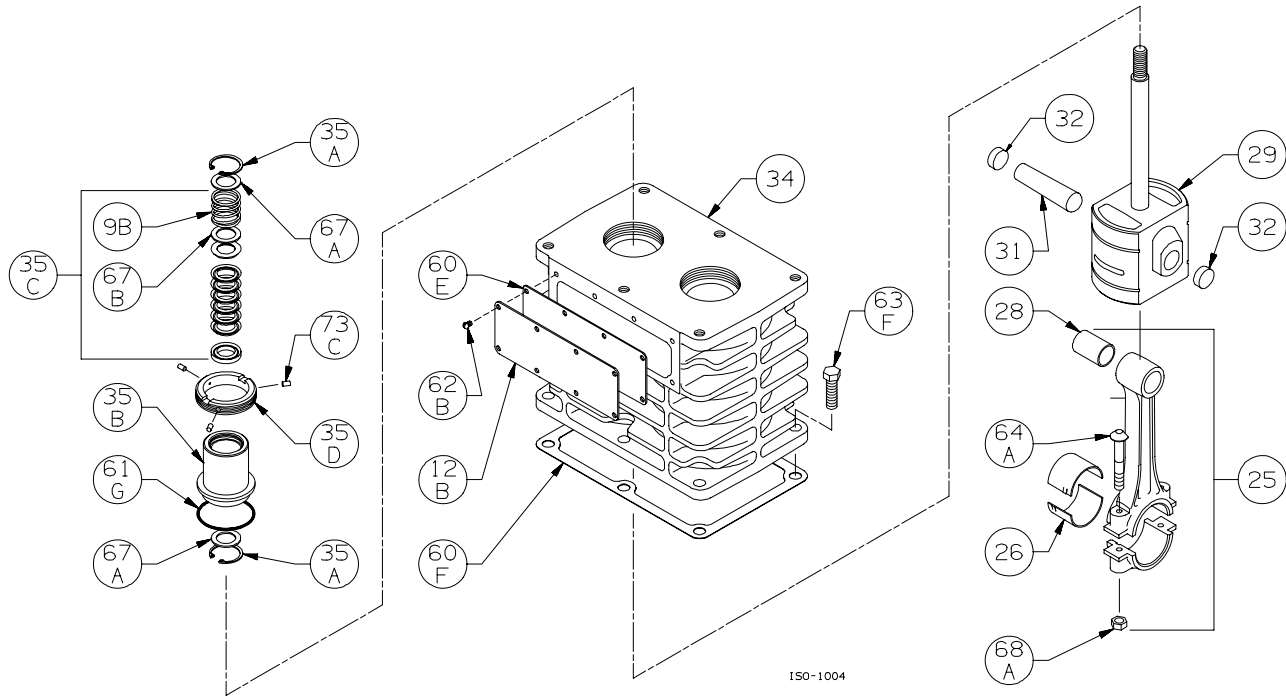
Oil Pump Detail:

Models HD161A, HD162A, HD172A,
 HD361A, HD362A, HD363A, HD372A, HD373A, HDL372A,
 HD601A, HD602A, HD603A, HD612A, HDL612A

ISO1094

Ref	Description	Qty	Part No
2B	Oil Filter	1	790003
5A	Oil Pump Kit (w/ 61E, 61N)		
	160, 170, 360 & 370 Series	1	798855
	600 & 610 Series	1	798856
7	Oil Pressure Gauge	1	790012
14	Oil Pump Cover	1	792181
	Oil Pump Cover - For Filter		790001
30	Oil Filter Fitting	1	790002
61E	O-Ring - Oil Pump Cover *	1	792186
61N	O-Ring - Oil Pump Shaft *	1	792174

* Included in Gasket Sets



ISO-1004

Crosshead Assembly: Models HD361A, HD361B

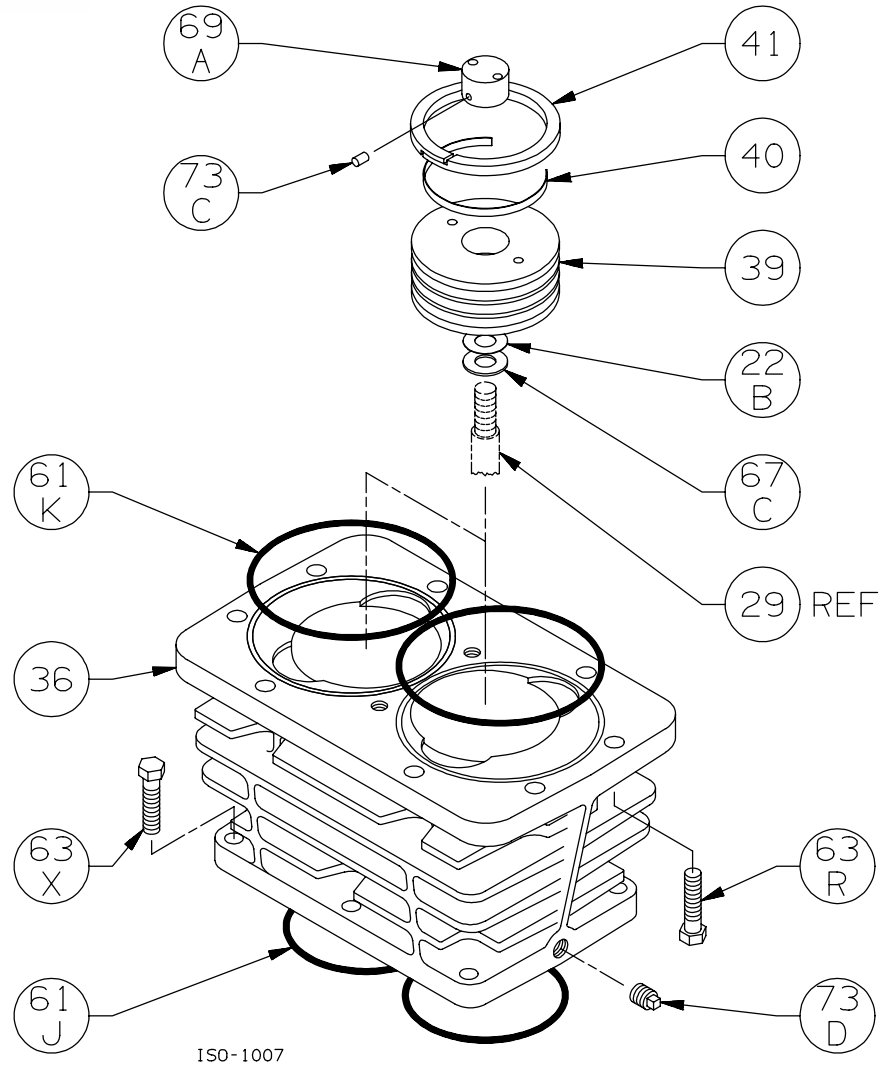
ISO1004

Ref	Description	Qty	Part No
9B	Packing Spring	2	792077
12B	Inspection Plate	1	793093
25	Connecting Rod Assembly	2	793009
26	Connecting Rod Bearing	2	793002
28	Wrist Pin Bushing **	2	793003
29	Crosshead Assembly	2	793029
31	Wrist Pin	2	793004
32	Wrist Pin Plug	4	792178
34	Crosshead Guide	1	793091
35A	Retainer Ring	4	792088
35B	Packing Box	2	793221
	Packing Box TNT-12	2	792809
35C	Packing Set	2	793510
35D	Hold-down Ring	2	793220
	Hold-down Ring TNT-12	2	792810

Ref	Description	Qty	Part No
60E	Gasket - Inspection Plate *	1	793092
60F	Gasket - Crankcase *	1	793121
61G	O-Ring (Buna-N) Std *	2	792125
	O-Ring (FKM)		793213
	O-Ring (Neoprene)		793215
	O-Ring (Ethylene Propylene)		793207
	O-Ring (PTFE)		793211
62B	Machine Screw - Inspection Plate	8	793096
63F	Capscrew - Hex Hd	6	793094
64A	Connecting Rod Bolt	4	793006
67A	Washer - Packing Box	4	792083
67B	Washer - Packing Spring	2	792087
68A	Connecting Rod Bolt Nut	4	793007
73C	Lock Plug *	6	792030

* Included in Gasket Sets

** Must be honed after installing



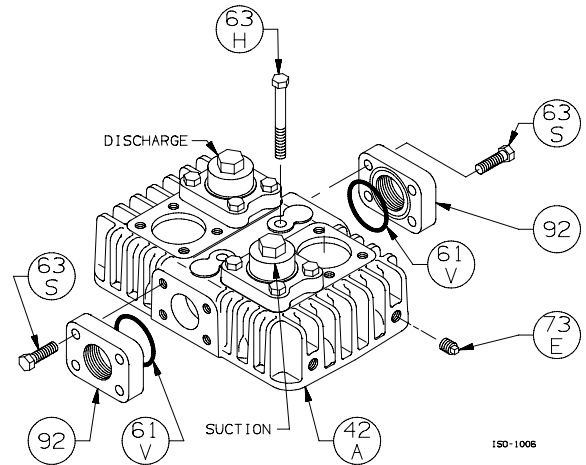
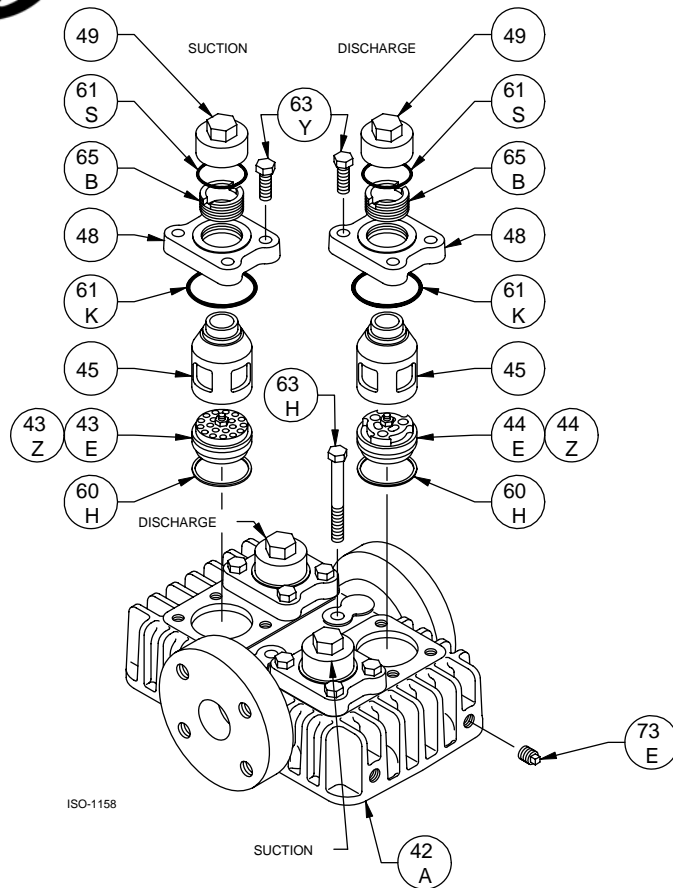
Cylinder Assembly: Models HD361A, HD361B, HD361C,
 HD362A, HD362B, HD362C,
 HD363A, HD363B, HD363C

ISO1007

Ref	Description	Qty	Part No
22B	Piston Shim - 0.015	AR	792034
	Piston Shim - 0.007	AR	792050
36	Cylinder	1	793045
	Cylinder TNT-12		792824
39	Piston	2	793421
	Piston TNT-12		792827
40	Expander	6	793415
41	Piston Ring - Std	6	793406
	Piston Ring - Poly Filled		793407
61J	O-Ring (Buna N) Std *	2	793177
	O-Ring (FKM) *		793212
	O-Ring (PTFE) *		793210
	O-Ring (Neoprene) *		793216
	O-Ring (Ethylene Propylene) *		793206

Ref	Description	Qty	Part No
61K	O-Ring (Buna N) Std *	2	793641
	O-Ring (FKM) *		793643
	O-Ring (PTFE) *		793642
	O-Ring (Neoprene) *		793644
	O-Ring (Ethylene Propylene) *		793645
63R	Capscrew - Hex Hd	8	794097
63X	Capscrew - Hex Hd	6	794096
67C	Thrust Washer	2	792033
69A	Piston Nut	2	793022
	Piston Nut TNT-12		792808
73C	Lock Plug *	4	793028
73D	Pipe Plug	1	793498

* Included in Gasket Sets



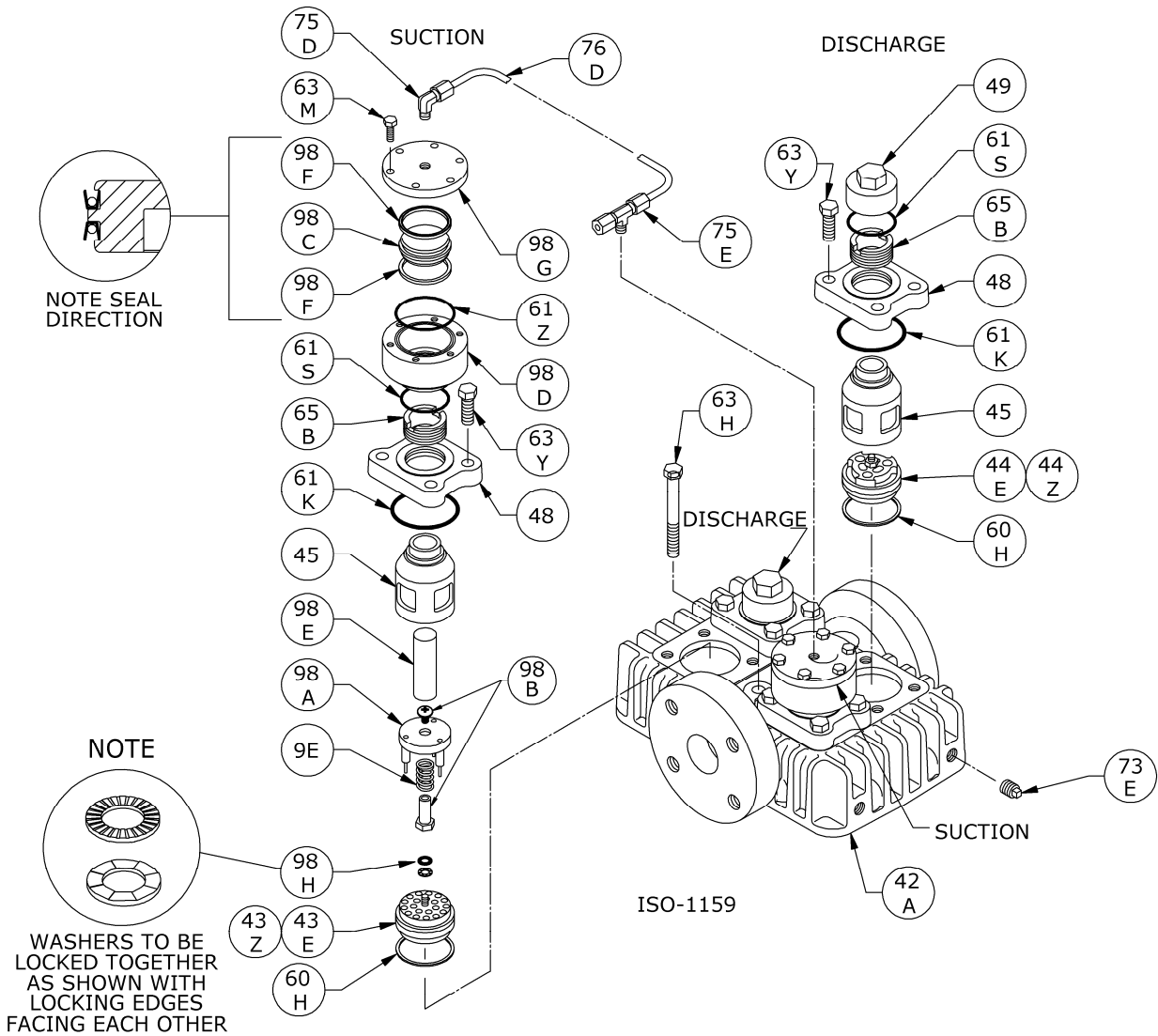
Head Style used on units built prior to July 2001. Replaced by the ANSI flanged head shown.

Head Assembly: Models HD361A, HD361B, HD361C, HD362A, HD362B, HD362C, HD363A, HD363B, HD363C ISO1158

Ref	Description	Qty	Part No
42A	Head (ANSI Flanges)	1	793042
	Head TNT-12 (ANSI Flanges)		792892
	Head (4-bolt flange style)		793044
	Head TNT-12 (4-bolt flange style)		792825
43E	Suction Valve Assembly	2	793459
	Suction Valve Assembly TNT-12		792870
	Suction Valve Assembly, Stainless Steel		793439
43Z	Valve Repair Kit - For 793459, 792870		793460
	Valve Repair Kit - For 793439		793440
44E	Discharge Valve Assembly	2	793479
	Discharge Valve Assembly TNT-12		792871
	Discharge Valve Assy, Stainless Steel		793449
44Z	Valve Repair Kit - For 793479, 792871		793460
	Valve Repair Kit - For 793449		793448
45	Cage	4	793420
	Cage TNT-12		792818
48	Valve Cover Plate	4	793284
	Valve Cover Plate TNT-12		792816
49	Valve Cap	4	792003
	Valve Cap TNT-12		792804
60H	Gasket - Valve *	4	793202
61K	O-Ring (Buna-N) Std *	4	793114
	O-Ring (FKM) *		793214
	O-Ring (PTFE) *		793208
	O-Ring (Neoprene) *		793110
	O-Ring (Ethylene Propylene) *		793205

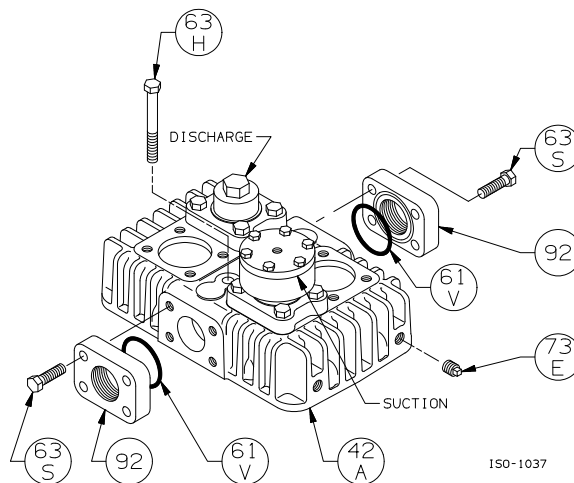
Ref	Description	Qty	Part No
61S	O-Ring (Buna-N) Std *	4	792306
	O-Ring (FKM) *		792308
	O-Ring (PTFE) *		792307
	O-Ring (Neoprene) *		792309
	O-Ring (Ethylene Propylene) *		792310
	61V	O-Ring (Buna-N) Std *	2
O-Ring (FKM) *			793213
O-Ring (PTFE) *			793211
O-Ring (Neoprene) *			793215
O-Ring (Ethylene Propylene) *			793207
63H	Capscrew - Hex Hd	2	793115
63S	Capscrew - Hex Hd	8	794096
63Y	Capscrew - Hex Hd	16	793094
65B	Valve Holddown Screw	4	792002
	Valve Holddown Screw TNT-12		792806
73E	Pipe Plug	2	793498
92	Flange (1.25 NPT) Std	2	793055
	Flange (1.25 NPT) TNT-12		792826
	Flange (1.25 Weld)		793056
	Flange (1.5 NPT)		793057
	Flange (1.5 NPT) TNT-12		792867
	Flange (1.5 Weld)		793058

* Included in Gasket Sets



Head Assembly with Unloaders
 Models HD361A, HD361B, HD361C,
 HD362A, HD362B, HD362C,
 HD363A, HD363B, HD363C

Head Style used on units built prior to July 2001. Replaced by the ANSI flanged head shown.



Over.....

Head Assembly with Unloaders
 Models HD361A, HD361B, HD361C,
 HD362A, HD362B, HD362C,
 HD363A, HD363B, HD363C

ISO1159

Ref	Description	Qty	Part No
9E	Unloader Spring	2	793293
42A	Head (ANSI Flanges)	1	793042
	Head TNT-12 (ANSI Flanges)		792892
	Head (4-bolt flange style)		793044
	Head TNT-12 (4-bolt flange style)		792825
43E	Suction Valve Assembly	2	793459
	Suction Valve Assembly TNT-12		792870
	Suction Valve Assy, Stainless Steel		793439
43Z	Valve Repair Kit - For 793459/793479		793460
	Valve Repair Kit - For 793439		793440
44E	Discharge Valve Assembly	2	793479
	Discharge Valve Assembly TNT-12		792871
	Discharge Valve Assy, Stainless Steel		793449
44Z	Valve Repair Kit - For 793459/793479		793460
	Valve Repair Kit - For 793449		793448
45	Cage	4	793420
	Cage TNT-12		792818
48	Valve Cover Plate	4	793284
	Valve Cover Plate TNT-12		792816
49	Valve Cap	2	792003
	Valve Cap TNT-12		792804
60H	Gasket - Valve *	4	793202
61K	O-Ring (Buna-N) Std *	4	793114
	O-Ring (FKM) *		793214
	O-Ring (PTFE) *		793208
	O-Ring (Neoprene) *		793110
	O-Ring (Ethylene Propylene) *		793205
61S	O-Ring (Buna-N) Std *	4	792306
	O-Ring (FKM) *		792308
	O-Ring (PTFE) *		792307
	O-Ring (Neoprene) *		792309
	O-Ring (Ethylene Propylene) *		792310

* Included in Gasket Sets

Ref	Description	Qty	Part No
61V	O-Ring (Buna-N) Std *	2	792125
	O-Ring (FKM) *		793213
	O-Ring (PTFE) *		793211
	O-Ring (Neoprene) *		793215
	O-Ring (Ethylene Propylene) *		793207
61Z	O-Ring (Buna-N) Std *	2	792311
	O-Ring (FKM) *		792313
	O-Ring (PTFE) *		792312
	O-Ring (Neoprene) *		792314
	O-Ring (Ethylene Propylene) *		792320
63H	Capscrew - Hex Hd	2	793115
63M	Capscrew - Hex Hd	12	790053
63S	Capscrew - Hex Hd	8	794096
63Y	Capscrew - Hex Hd	16	793094
65B	Valve Holddown Screw	4	792002
	Valve Holddown Screw TNT-12		792806
73E	Pipe Plug	2	793498
75D	Tube Elbow	1	790355
75E	Tube Tee	1	790356
76D	Tube	1	790192
92	Flange (1.25 NPT) Std	2	793055
	Flange (1.25 NPT) TNT-12		792826
	Flange (1.25 Weld)		793056
	Flange (1.5 NPT)		793057
	Flange (1.5 NPT) TNT-12		792867
	Flange (1.5 Weld)		793058
98A	Actuator Assembly	2	793296
	Actuator Assembly, for SS Valve		793298
98B	Unloader Post w/bolt ¹	2	793291
	Unloader Post w/bolt ¹ , for SS Valve		794291
98C	Unloader Piston	2	793288
98D	Unloader Body	2	793286
98E	Unloader Plunger	2	793290
98F	Unloader Seal	4	792284
98G	Unloader Cap	2	793287
98H	Lockwasher (2 piece)	2	793473

¹ Unloader Post with bolt replaces earlier style unloader post with retainer ring.

Suggested Spare Parts for HD361A Compressors:

Part #	Description	Qty./Unit	Comm. Qty.	Spare Qty.
793198	Gasket Set - Buna-N	1	1	1
793197	Gasket Set - PTFE *			
793196	Gasket Set - FKM *			
793189	Gasket Set - Neoprene *			
793182	Gasket Set - Ethylene Propylene *			
793460	Suction Valve Repair Kit - PEEK	2		2
793440	Suction Valve Repair Kit - Stainless Steel *			
793460	Discharge Valve Repair Kit - PEEK	2		2
793448	Discharge Valve Repair Kit - Stainless Steel *			
792284	Unloader Seal *	4		4
793406	Piston Ring - Standard	6	6	6
793407	Piston Ring - Poly Filled *			
793415	Piston Ring Expander	6	6	6
793510	Packing Set	2	2	2
790003	Oil Filter *	1		6
793004	Wrist Pin	2		2
793003	Wrist Pin Bushing	2	2	2
793002	Conrod Bearing	2	2	2
The following parts would normally be required only for major compressor overhaul.				
793142	Inboard Bearing Cone	1		1
793126	Inboard Bearing Cup	1		1
792127	Outboard Bearing Cone	1		1
792126	Outboard Bearing Cup	1		1
793029	Crosshead Assembly	2		1
793009	Conrod Assembly	2		1
798855	Oil Pump Repair Kit	1		
793159	Crankshaft Assembly	1		
793169	Extended Crankshaft Assembly *			
793133	Bearing Adjustment Shim Kit	1		
793045	Cylinder	1		
792824	Cylinder, TNT-12 PTFE / Nickel Treated *			

* Optional Equipment on New Compressors