



HD362A PARTS LIST

Discontinued Model – parts availability may be limited.

Serial # _____

ID# _____

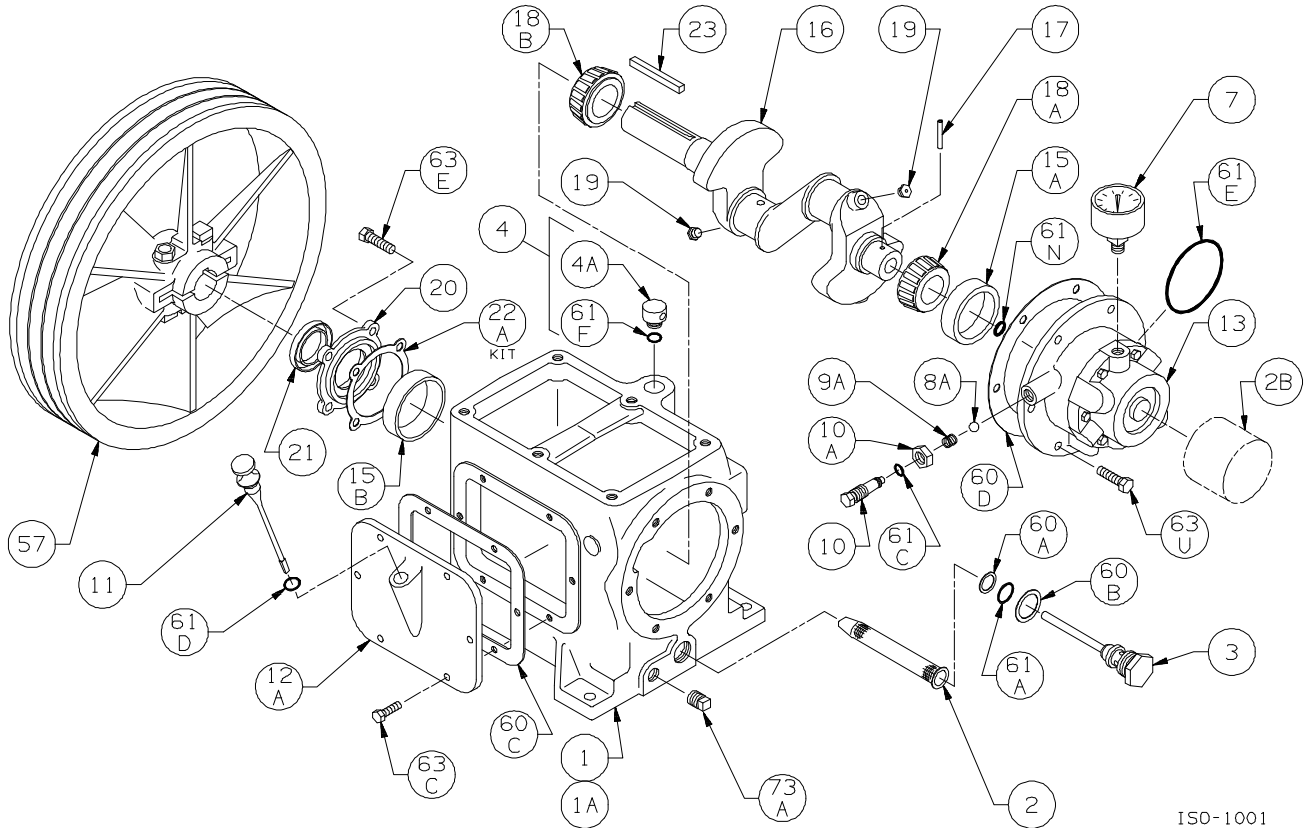
Gasket Sets and Special Tools

| | | |
|---------------------------------|---------------------------|--------|
| Gasket Set | Buna-N & Iron | 793597 |
| | PTFE & Iron | 793596 |
| | FKM & Iron | 793595 |
| | Neoprene & Iron | 793591 |
| | Ethylene Propylene & Iron | 793588 |
| Packing Installation Tool | | 790536 |
| Spanner Wrench, 1/4" Adjustable | | 790316 |
| Wrench for Valve Holdown Screw | | 790535 |
| Tool Kit | | 790199 |

Bulletins Needed For Complete Parts List

| | |
|---------------------|--------|
| This page | 9E-070 |
| Crankcase | 9F-020 |
| Oil Pump | 9G-010 |
| Crosshead | 9J-050 |
| Cylinder | 9L-040 |
| Head | 9M-050 |
| Head with Unloaders | 9M-060 |

Notes:



ISO-1001

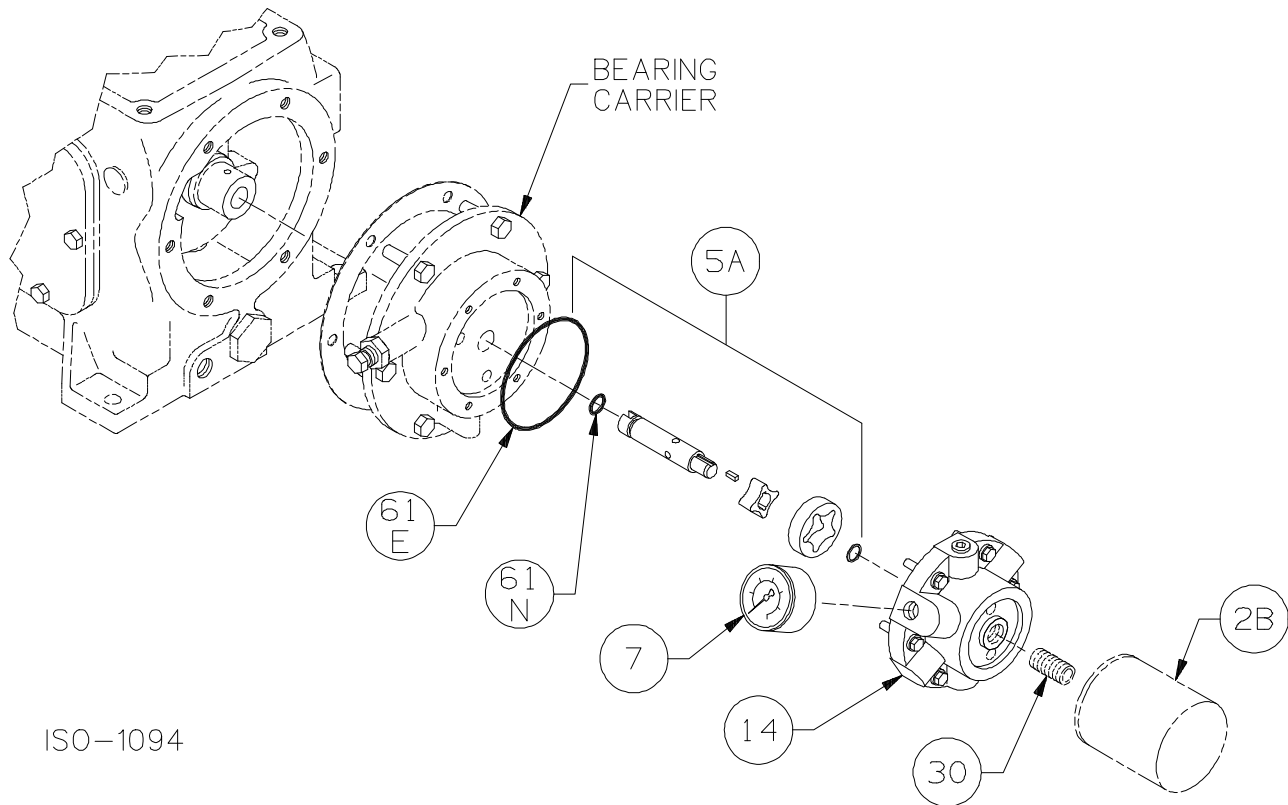
**Crankcase Assembly: Models HD361A, HD362A, HD363A,
HD372A, HD373A, HDL372A**

ISO1001

| Ref | Description | Qty | Part No |
|-----|---|-----|------------------|
| 1 | Crankcase Assembly (less flywheel) | 1 | 793119 |
| 1A | Crankcase | 1 | 793134 |
| 2 | Oil Intake Screen | 1 | 792135 |
| 2B | Oil Filter | 1 | 790003 |
| 3 | Oil Screen Plug | 1 | 792145 |
| 4 | Breather Assembly | 1 | 793149 |
| 4A | Breather Cap | 1 | 792144 |
| 7 | Oil Pressure Gauge | 1 | 790012 |
| 8A | Oil Pressure Adjusting Ball | 1 | 792154 |
| 9A | Oil Pressure Adjusting Spring | 1 | 792153 |
| 10 | Oil Pressure Adjusting Screw | 1 | 792148 |
| 10A | Locknut | 1 | 792152 |
| 11 | Oil Bayonet Assembly | 1 | 793162 |
| 12A | Inspection Plate | 1 | 793118 |
| 13 | Bearing Carrier Assembly Bearing Carrier Assembly with Oil Filter | 1 | 793179 793170 |
| 15A | Bearing Cup (Outboard) | 1 | 792126 |
| 15B | Bearing Cup (Inboard) | 1 | 793126 |
| 16 | Crankshaft Assembly (w\ 18A,18B,19) Crankshaft Assembly - Extended | 1 | 793159 793169 |
| 17 | Oil Pump Drive Pin | 1 | 792147 |
| 18A | Bearing Cone (Outboard) | 1 | 792127 |

| Ref | Description | Qty | Part No |
|-----|-------------------------------------|-----|---------|
| 18B | Bearing Cone (Inboard) | 1 | 793142 |
| 19 | Orifice | 2 | 792146 |
| 20 | Bearing Cover Plate | 1 | 793137 |
| 21 | Oil Seal | 1 | 793143 |
| 22A | Bearing Adjustment Shim Kit | 1 | 793133 |
| 23 | Key | 1 | 793167 |
| 57 | Flywheel Assembly | 1 | 793128 |
| 60A | Gasket - Oil Screen * | 1 | 792136 |
| 60B | Gasket - Oil Screen Plug * | 1 | 792123 |
| 60C | Gasket - Inspection Plate * | 1 | 793122 |
| 60D | Gasket - Bearing Carrier Assembly * | 1 | 793124 |
| 61A | O-Ring - Oil Screen * | 1 | 792175 |
| 61C | O-Ring - Adjusting Screw * | 1 | 792168 |
| 61D | O-Ring - Oil Bayonet * | 1 | 792174 |
| 61E | O-Ring - Oil Pump Cover * | 1 | 792186 |
| 61F | O-Ring - Breather Cap * | 1 | 792173 |
| 61N | O-Ring - Oil Pump Shaft * | 1 | 792174 |
| 63C | Capscrew - Hex Hd | 6 | 793116 |
| 63E | Capscrew - Hex Hd | 4 | 793158 |
| 63U | Capscrew - Hex Hd | 6 | 792093 |
| 73A | Pipe Plug | 1 | 792166 |

* Included in Gasket Sets



ISO-1094

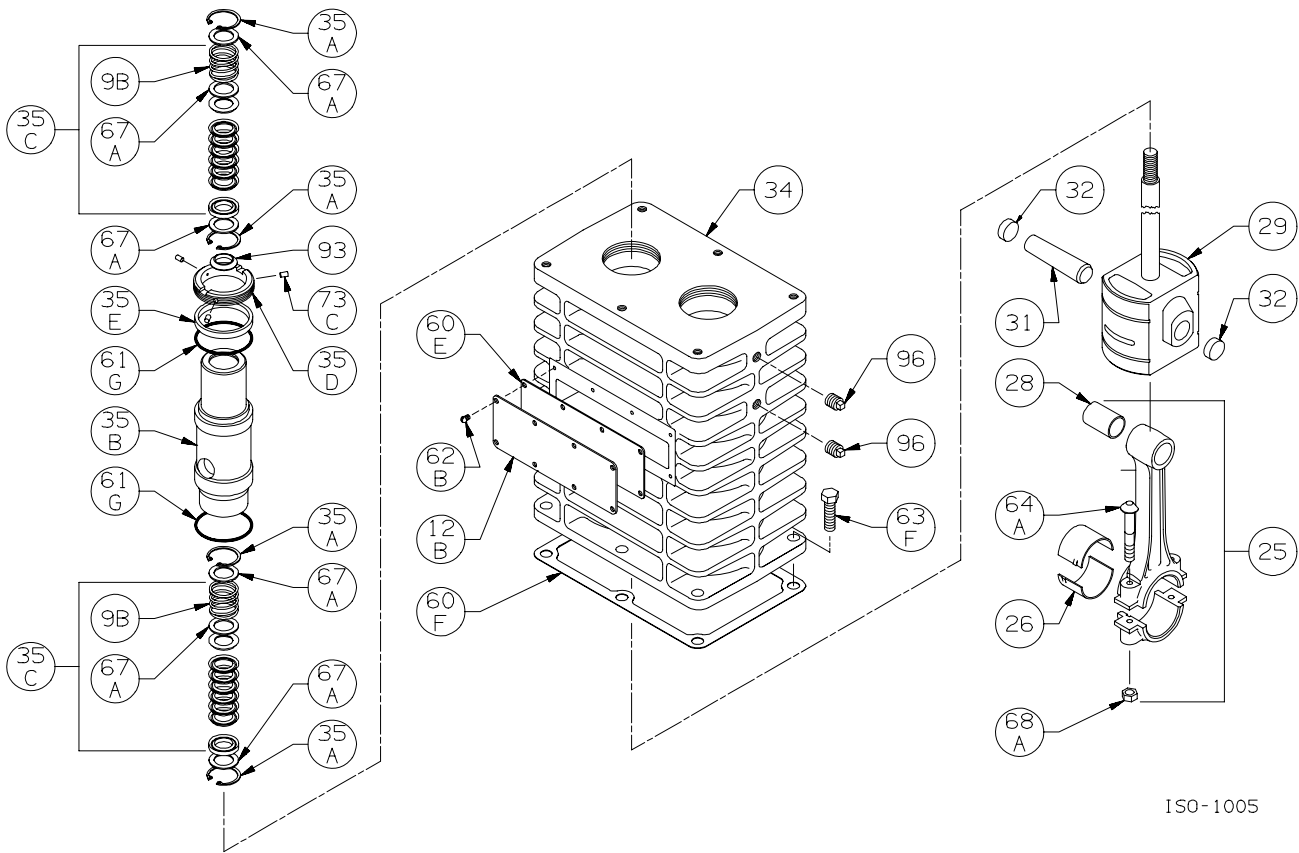
Oil Pump Detail:

Models HD161A, HD162A, HD172A,
 HD361A, HD362A, HD363A, HD372A, HD373A, HDL372A,
 HD601A, HD602A, HD603A, HD612A, HDL612A

ISO1094

| Ref | Description | Qty | Part No |
|-----|-----------------------------|-----|---------|
| 2B | Oil Filter | 1 | 790003 |
| 5A | Oil Pump Kit (w/ 61E, 61N) | | |
| | 160, 170, 360 & 370 Series | 1 | 798855 |
| | 600 & 610 Series | 1 | 798856 |
| 7 | Oil Pressure Gauge | 1 | 790012 |
| 14 | Oil Pump Cover | 1 | 792181 |
| | Oil Pump Cover - For Filter | | 790001 |
| 30 | Oil Filter Fitting | 1 | 790002 |
| 61E | O-Ring - Oil Pump Cover * | 1 | 792186 |
| 61N | O-Ring - Oil Pump Shaft * | 1 | 792174 |

* Included in Gasket Sets



ISO-1005

Crosshead Assembly: HD362A, HD362B
HD372A, HD372B, HDL372A, HDL372B

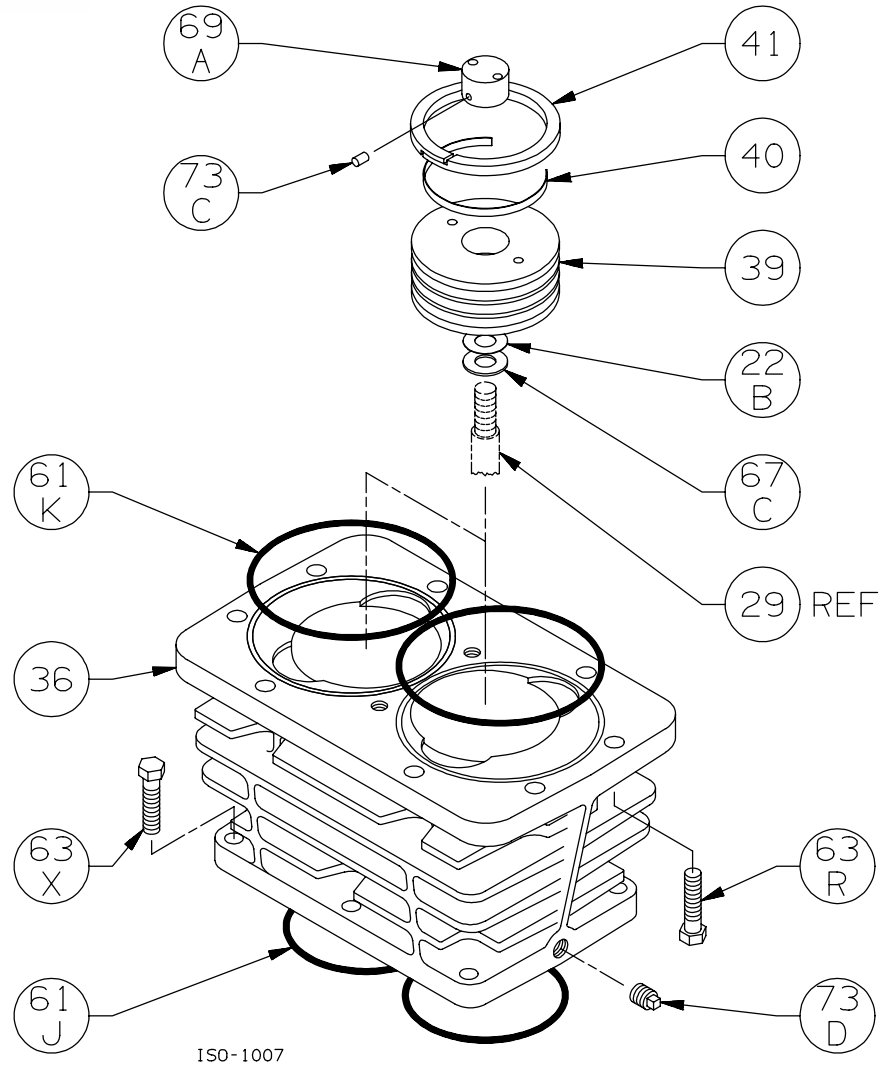
ISO1005

| Ref | Description | Qty | Part No |
|-----|-------------------------|-----|---------|
| 9B | Packing Spring | 4 | 792077 |
| 12B | Inspection Plate | 1 | 793093 |
| 25 | Connecting Rod Assembly | 2 | 793009 |
| 26 | Connecting Rod Bearing | 2 | 793002 |
| 28 | Wrist Pin Bushing ** | 2 | 793003 |
| 29 | Crosshead Assembly | 2 | 793429 |
| 31 | Wrist Pin | 2 | 793004 |
| 32 | Wrist Pin Plug | 4 | 792178 |
| 34 | Crosshead Guide | 1 | 793455 |
| 35A | Retainer Ring | 8 | 793404 |
| 35B | Packing Box | 2 | 793403 |
| | Packing Box TNT-12 | | 792820 |
| 35C | Packing Set | 4 | 793510 |
| 35D | Hold-down Ring | 2 | 793220 |
| | Hold-down Ring TNT-12 | | 792810 |
| 35E | Spacer Ring | 2 | 793402 |
| | Spacer Ring TNT-12 | | 792821 |

| Ref | Description | Qty | Part No |
|-----|----------------------------------|-----|---------|
| 60E | Gasket - Inspection Plate * | 1 | 793092 |
| 60F | Gasket - Crankcase * | 1 | 793121 |
| 61G | O-Ring (Buna-N) Std * | 4 | 792125 |
| | O-Ring (FKM) * | | 793213 |
| | O-Ring (PTFE) * | | 793211 |
| | O-Ring (Neoprene) * | | 793215 |
| | O-Ring (Ethylene Propylene) * | | 793207 |
| 62B | Machine Screw - Inspection Plate | 8 | 793096 |
| 63F | Capscrew - Hex Hd | 6 | 793094 |
| 64A | Connecting Rod Bolt | 4 | 793006 |
| 67A | Washer - Packing Box | 12 | 792087 |
| 68A | Connecting Rod Bolt Nut | 4 | 793007 |
| 73C | Lock Plug * | 6 | 792030 |
| 93 | Oil Deflector Ring | 2 | 793478 |
| 96 | Pipe Plug | 4 | 793498 |

*Included in Gasket Sets

** Must be honed after installing



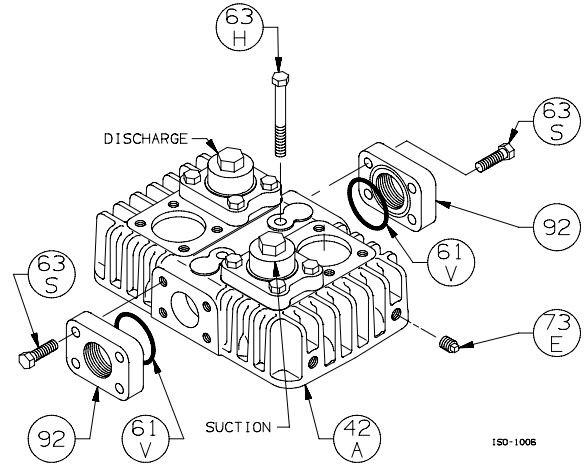
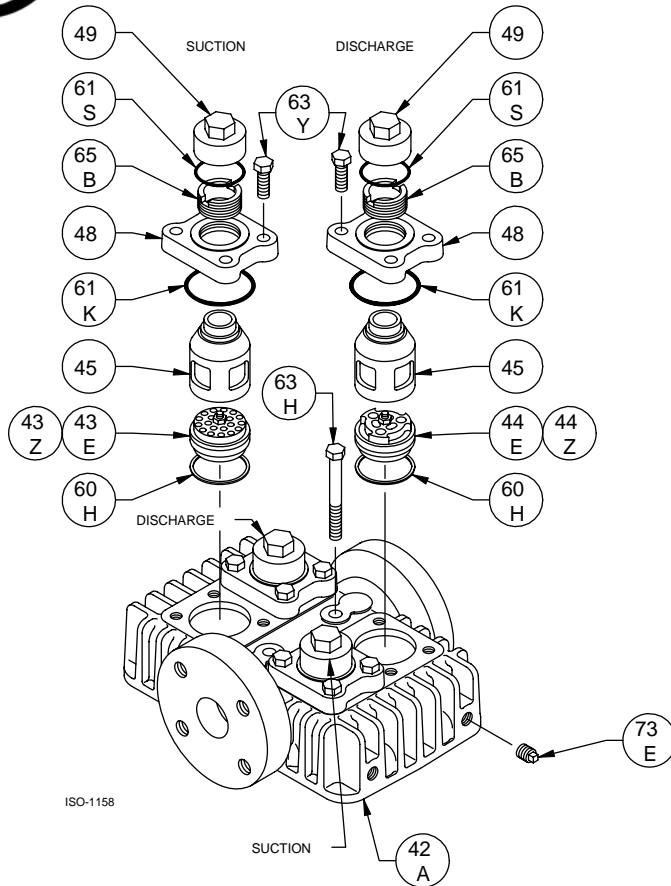
Cylinder Assembly: Models HD361A, HD361B, HD361C,
HD362A, HD362B, HD362C,
HD363A, HD363B, HD363C

ISO1007

| Ref | Description | Qty | Part No |
|-----|-------------------------------|-----|---------|
| 22B | Piston Shim - 0.015 | AR | 792034 |
| | Piston Shim - 0.007 | AR | 792050 |
| 36 | Cylinder | 1 | 793045 |
| | Cylinder TNT-12 | | 792824 |
| 39 | Piston | 2 | 793421 |
| | Piston TNT-12 | | 792827 |
| 40 | Expander | 6 | 793415 |
| | | | |
| 41 | Piston Ring - Std | 6 | 793406 |
| | Piston Ring - Poly Filled | | 793407 |
| 61J | O-Ring (Buna N) Std * | 2 | 793177 |
| | O-Ring (FKM) * | | 793212 |
| | O-Ring (PTFE) * | | 793210 |
| | O-Ring (Neoprene) * | | 793216 |
| | O-Ring (Ethylene Propylene) * | | 793206 |

| Ref | Description | Qty | Part No |
|-----|-------------------------------|-----|---------|
| 61K | O-Ring (Buna N) Std * | 2 | 793641 |
| | O-Ring (FKM) * | | 793643 |
| | O-Ring (PTFE) * | | 793642 |
| | O-Ring (Neoprene) * | | 793644 |
| | O-Ring (Ethylene Propylene) * | | 793645 |
| 63R | Capscrew - Hex Hd | 8 | 794097 |
| 63X | Capscrew - Hex Hd | 6 | 794096 |
| 67C | Thrust Washer | 2 | 792033 |
| 69A | Piston Nut | 2 | 793022 |
| | Piston Nut TNT-12 | | 792808 |
| 73C | Lock Plug * | 4 | 793028 |
| 73D | Pipe Plug | 1 | 793498 |

* Included in Gasket Sets



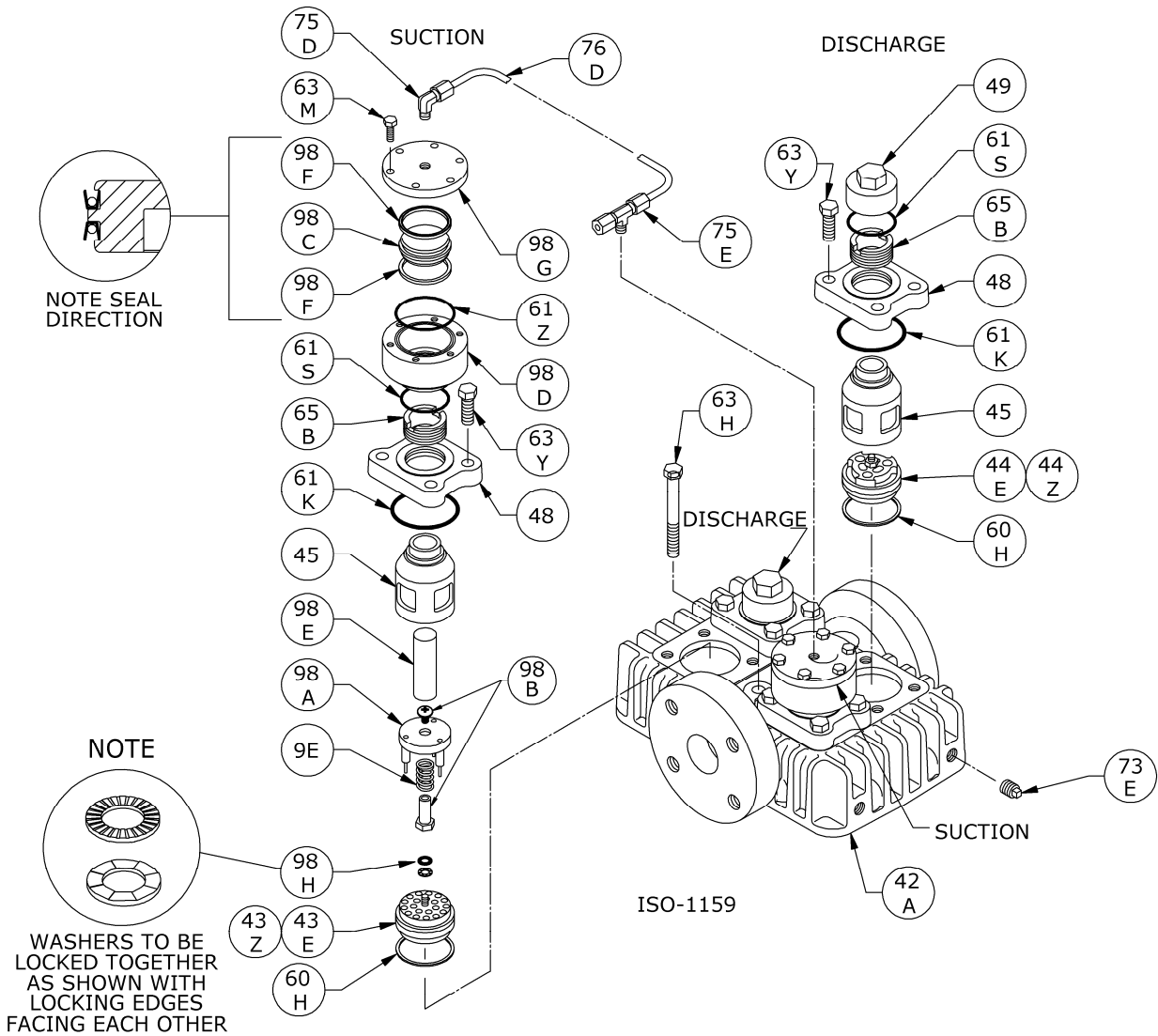
Head Style used on units built prior to July 2001. Replaced by the ANSI flanged head shown.

Head Assembly: Models HD361A, HD361B, HD361C, HD362A, HD362B, HD362C, HD363A, HD363B, HD363C ISO1158

| Ref | Description | Qty | Part No |
|-----|---|-----|---------|
| 42A | Head (ANSI Flanges) | 1 | 793042 |
| | Head TNT-12 (ANSI Flanges) | | 792892 |
| | Head (4-bolt flange style) | | 793044 |
| | Head TNT-12 (4-bolt flange style) | | 792825 |
| 43E | Suction Valve Assembly | 2 | 793459 |
| | Suction Valve Assembly TNT-12 | | 792870 |
| | Suction Valve Assembly, Stainless Steel | | 793439 |
| 43Z | Valve Repair Kit - For 793459, 792870 | | 793460 |
| | Valve Repair Kit - For 793439 | | 793440 |
| 44E | Discharge Valve Assembly | 2 | 793479 |
| | Discharge Valve Assembly TNT-12 | | 792871 |
| | Discharge Valve Assy, Stainless Steel | | 793449 |
| 44Z | Valve Repair Kit - For 793479, 792871 | | 793460 |
| | Valve Repair Kit - For 793449 | | 793448 |
| 45 | Cage | 4 | 793420 |
| | Cage TNT-12 | | 792818 |
| 48 | Valve Cover Plate | 4 | 793284 |
| | Valve Cover Plate TNT-12 | | 792816 |
| 49 | Valve Cap | 4 | 792003 |
| | Valve Cap TNT-12 | | 792804 |
| 60H | Gasket - Valve * | 4 | 793202 |
| 61K | O-Ring (Buna-N) Std * | 4 | 793114 |
| | O-Ring (FKM) * | | 793214 |
| | O-Ring (PTFE) * | | 793208 |
| | O-Ring (Neoprene) * | | 793110 |
| | O-Ring (Ethylene Propylene) * | | 793205 |

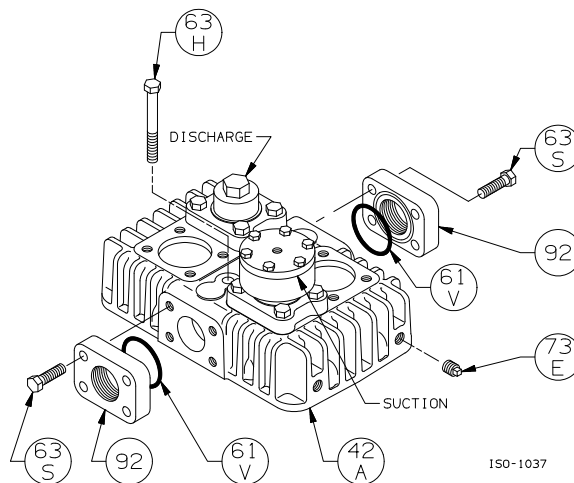
| Ref | Description | Qty | Part No |
|-------------------------------|-------------------------------|-----------------------|---------|
| 61S | O-Ring (Buna-N) Std * | 4 | 792306 |
| | O-Ring (FKM) * | | 792308 |
| | O-Ring (PTFE) * | | 792307 |
| | O-Ring (Neoprene) * | | 792309 |
| | O-Ring (Ethylene Propylene) * | | 792310 |
| | 61V | O-Ring (Buna-N) Std * | 2 |
| O-Ring (FKM) * | | | 793213 |
| O-Ring (PTFE) * | | | 793211 |
| O-Ring (Neoprene) * | | | 793215 |
| O-Ring (Ethylene Propylene) * | | | 793207 |
| 63H | Capscrew - Hex Hd | 2 | 793115 |
| 63S | Capscrew - Hex Hd | 8 | 794096 |
| 63Y | Capscrew - Hex Hd | 16 | 793094 |
| 65B | Valve Holddown Screw | 4 | 792002 |
| | Valve Holddown Screw TNT-12 | | 792806 |
| 73E | Pipe Plug | 2 | 793498 |
| 92 | Flange (1.25 NPT) Std | 2 | 793055 |
| | Flange (1.25 NPT) TNT-12 | | 792826 |
| | Flange (1.25 Weld) | | 793056 |
| | Flange (1.5 NPT) | | 793057 |
| | Flange (1.5 NPT) TNT-12 | | 792867 |
| | Flange (1.5 Weld) | | 793058 |

* Included in Gasket Sets



Head Assembly with Unloaders
 Models HD361A, HD361B, HD361C,
 HD362A, HD362B, HD362C,
 HD363A, HD363B, HD363C

Head Style used on units built prior to July 2001. Replaced by the ANSI flanged head shown.



Over.....

Head Assembly with Unloaders
 Models HD361A, HD361B, HD361C,
 HD362A, HD362B, HD362C,
 HD363A, HD363B, HD363C

ISO1159

| Ref | Description | Qty | Part No |
|-----|---------------------------------------|-----|---------|
| 9E | Unloader Spring | 2 | 793293 |
| 42A | Head (ANSI Flanges) | 1 | 793042 |
| | Head TNT-12 (ANSI Flanges) | | 792892 |
| | Head (4-bolt flange style) | | 793044 |
| | Head TNT-12 (4-bolt flange style) | | 792825 |
| 43E | Suction Valve Assembly | 2 | 793459 |
| | Suction Valve Assembly TNT-12 | | 792870 |
| | Suction Valve Assy, Stainless Steel | | 793439 |
| 43Z | Valve Repair Kit - For 793459/793479 | | 793460 |
| | Valve Repair Kit - For 793439 | | 793440 |
| 44E | Discharge Valve Assembly | 2 | 793479 |
| | Discharge Valve Assembly TNT-12 | | 792871 |
| | Discharge Valve Assy, Stainless Steel | | 793449 |
| 44Z | Valve Repair Kit - For 793459/793479 | | 793460 |
| | Valve Repair Kit - For 793449 | | 793448 |
| 45 | Cage | 4 | 793420 |
| | Cage TNT-12 | | 792818 |
| 48 | Valve Cover Plate | 4 | 793284 |
| | Valve Cover Plate TNT-12 | | 792816 |
| 49 | Valve Cap | 2 | 792003 |
| | Valve Cap TNT-12 | | 792804 |
| 60H | Gasket - Valve * | 4 | 793202 |
| 61K | O-Ring (Buna-N) Std * | 4 | 793114 |
| | O-Ring (FKM) * | | 793214 |
| | O-Ring (PTFE) * | | 793208 |
| | O-Ring (Neoprene) * | | 793110 |
| | O-Ring (Ethylene Propylene) * | | 793205 |
| 61S | O-Ring (Buna-N) Std * | 4 | 792306 |
| | O-Ring (FKM) * | | 792308 |
| | O-Ring (PTFE) * | | 792307 |
| | O-Ring (Neoprene) * | | 792309 |
| | O-Ring (Ethylene Propylene) * | | 792310 |

* Included in Gasket Sets

| Ref | Description | Qty | Part No |
|-----|--|-----|---------|
| 61V | O-Ring (Buna-N) Std * | 2 | 792125 |
| | O-Ring (FKM) * | | 793213 |
| | O-Ring (PTFE) * | | 793211 |
| | O-Ring (Neoprene) * | | 793215 |
| | O-Ring (Ethylene Propylene) * | | 793207 |
| 61Z | O-Ring (Buna-N) Std * | 2 | 792311 |
| | O-Ring (FKM) * | | 792313 |
| | O-Ring (PTFE) * | | 792312 |
| | O-Ring (Neoprene) * | | 792314 |
| | O-Ring (Ethylene Propylene) * | | 792320 |
| 63H | Capscrew - Hex Hd | 2 | 793115 |
| 63M | Capscrew - Hex Hd | 12 | 790053 |
| 63S | Capscrew - Hex Hd | 8 | 794096 |
| 63Y | Capscrew - Hex Hd | 16 | 793094 |
| 65B | Valve Holddown Screw | 4 | 792002 |
| | Valve Holddown Screw TNT-12 | | 792806 |
| 73E | Pipe Plug | 2 | 793498 |
| 75D | Tube Elbow | 1 | 790355 |
| 75E | Tube Tee | 1 | 790356 |
| 76D | Tube | 1 | 790192 |
| 92 | Flange (1.25 NPT) Std | 2 | 793055 |
| | Flange (1.25 NPT) TNT-12 | | 792826 |
| | Flange (1.25 Weld) | | 793056 |
| | Flange (1.5 NPT) | | 793057 |
| | Flange (1.5 NPT) TNT-12 | | 792867 |
| | Flange (1.5 Weld) | | 793058 |
| 98A | Actuator Assembly | 2 | 793296 |
| | Actuator Assembly, for SS Valve | | 793298 |
| 98B | Unloader Post w/bolt ¹ | 2 | 793291 |
| | Unloader Post w/bolt ¹ , for SS Valve | | 794291 |
| 98C | Unloader Piston | 2 | 793288 |
| 98D | Unloader Body | 2 | 793286 |
| 98E | Unloader Plunger | 2 | 793290 |
| 98F | Unloader Seal | 4 | 792284 |
| 98G | Unloader Cap | 2 | 793287 |
| 98H | Lockwasher (2 piece) | 2 | 793473 |

¹ Unloader Post with bolt replaces earlier style unloader post with retainer ring.



Suggested Spare Parts for HD362A Compressors:

| Part # | Description | Qty./Unit | Comm. Qty. | Spare Qty. |
|--|--|-----------|------------|------------|
| 793597 | Gasket Set - Buna-N | 1 | 1 | 1 |
| 793596 | Gasket Set - PTFE * | | | |
| 793595 | Gasket Set - FKM * | | | |
| 793591 | Gasket Set - Neoprene * | | | |
| 793588 | Gasket Set - Ethylene Propylene * | | | |
| 793460 | Suction Valve Repair Kit - PEEK | 2 | | 2 |
| 793440 | Suction Valve Repair Kit - Stainless Steel * | | | |
| 793460 | Discharge Valve Repair Kit - PEEK | 2 | | 2 |
| 793448 | Discharge Valve Repair Kit - Stainless Steel * | | | |
| 792284 | Unloader Seal * | 4 | | 4 |
| 793406 | Piston Ring - Standard | 6 | 6 | 6 |
| 793407 | Piston Ring - Poly Filled * | | | |
| 793415 | Piston Ring Expander | 6 | 6 | 6 |
| 793510 | Packing Set | 4 | 4 | 4 |
| 790003 | Oil Filter * | 1 | | 6 |
| 793004 | Wrist Pin | 2 | | 2 |
| 793003 | Wrist Pin Bushing | 2 | 2 | 2 |
| 793002 | Conrod Bearing | 2 | 2 | 2 |
| The following parts would normally be required only for major compressor overhaul. | | | | |
| 793142 | Inboard Bearing Cone | 1 | | 1 |
| 793126 | Inboard Bearing Cup | 1 | | 1 |
| 792127 | Outboard Bearing Cone | 1 | | 1 |
| 792126 | Outboard Bearing Cup | 1 | | 1 |
| 793429 | Crosshead Assembly | 2 | | 1 |
| 793009 | Conrod Assembly | 2 | | 1 |
| 798855 | Oil Pump Repair Kit | 1 | | |
| 793159 | Crankshaft Assembly | 1 | | |
| 793169 | Extended Crankshaft Assembly * | | | |
| 793133 | Bearing Adjustment Shim Kit | 1 | | |
| 793045 | Cylinder | 1 | | |
| 792824 | Cylinder, TNT-12 PTFE / Nickel Treated * | | | |

* Optional Equipment on New Compressors