



## HDS602C PARTS LIST

Serial # \_\_\_\_\_

ID# \_\_\_\_\_

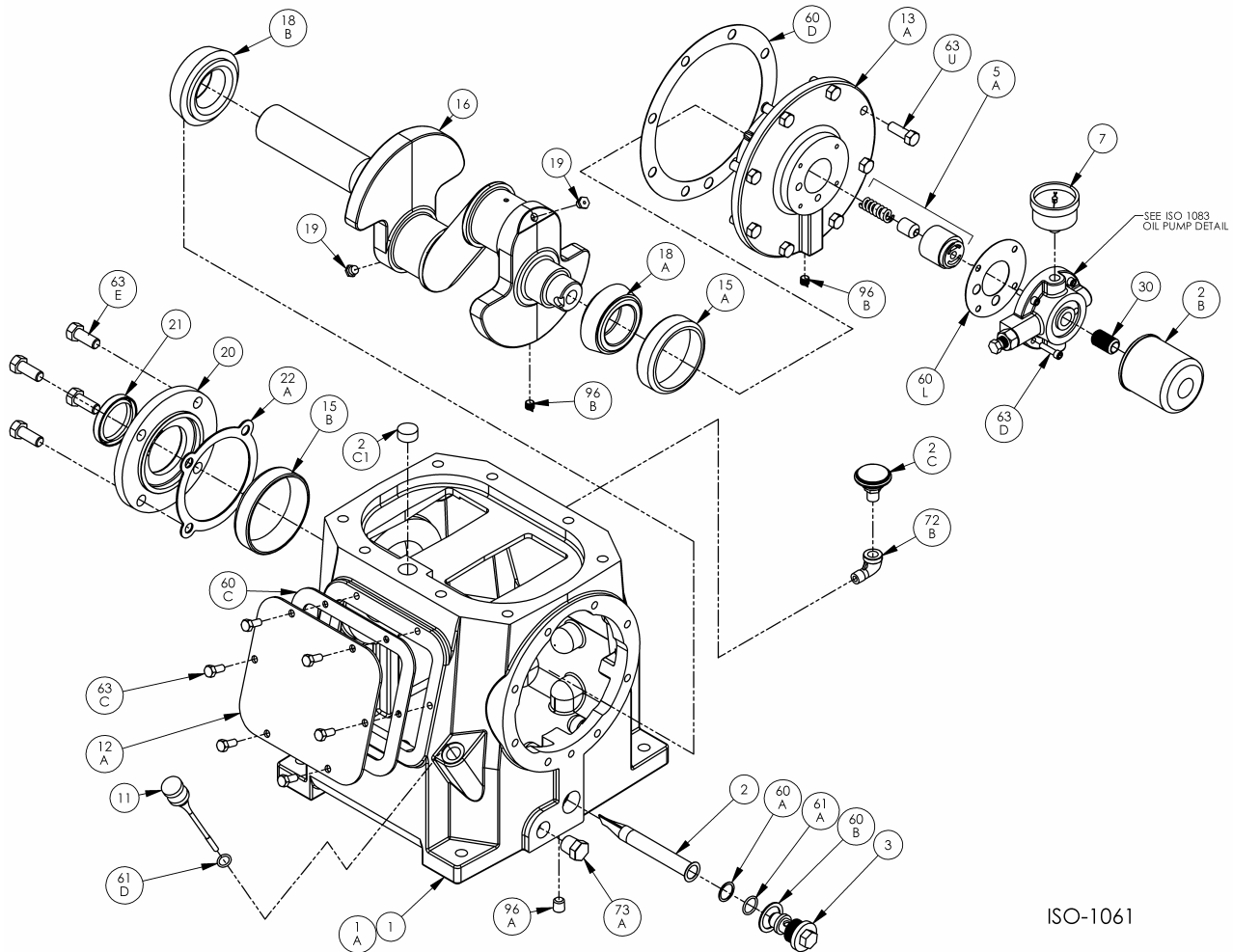
### Gasket Sets and Special Tools

Gasket Set	FKM & Iron	794595
	PTFE & Iron	794596
Packing Installation Tool		790538
Spanner Wrench, 1/4" Adjustable		790316
Wrench for Valve Holdown Screw		790535
Tool Kit		790199

### Bulletins Needed For Complete Parts List

This page	9E-361
Crankcase	9F-031
Oil Pump	9G-011
Flywheel	9H-030
Crosshead	9J-151
Packing	9K-080
Cylinder	9L-200
Head	9M-270

Notes:



ISO-1061

**Crankcase Assembly:**

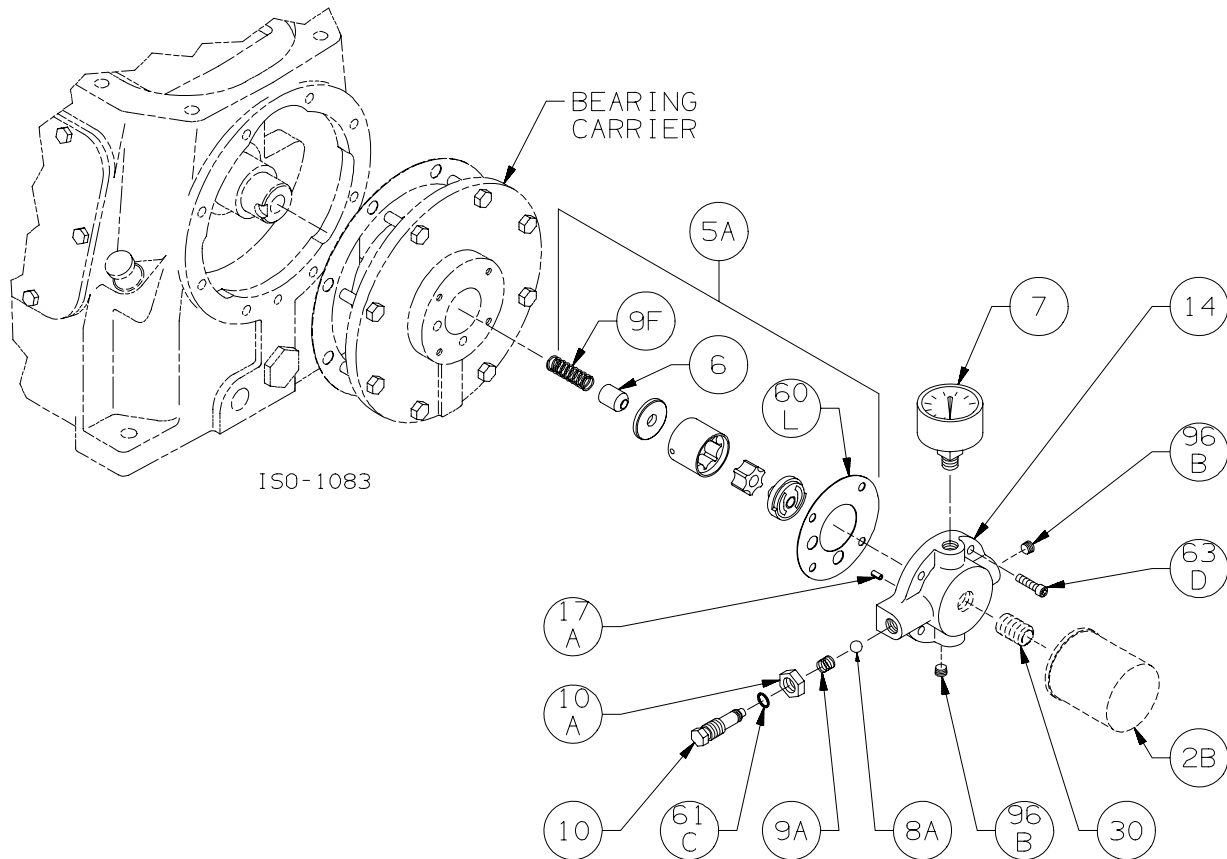
Models HD601B, HD602C|B, HD603C|B, HDL602C|B, HDL603C|B, HDL642C|B, HDL643C|B, HDS602C|B, HD612C|B, HD613C|B, HDL612C|B, HDL613C|B, HDS612C|B

ISO1061

Ref	Description	Qty	Part No
1	Crankcase Assembly – with Oil Filter (std.)	1	794758
	Crankcase Assembly – no Oil Filter		794759
1A	Crankcase	1	794709
2	Oil Intake Screen	1	792135
2B	Oil Filter	1	794726
2C	Breather Filter (current)	1	792070
2C1	Breather Filter (Previous Construction)		794752
3	Oil Screen Plug	1	792145
5A	Oil Pump Kit	1	794760
7	Oil Pressure Gauge	1	790012
11	Oil Bayonet Assembly	1	792162
12A	Inspection Plate	1	794140
13A	Bearing Carrier	1	794714
15A	Bearing Cup (Outboard)	1	794131
15B	Bearing Cup (Inboard)	1	794731
16	Crankshaft Assy (w/ 18A,18B,19,96B)	1	794708
18A	Bearing Cone (Outboard)	1	794130
18B	Bearing Cone (Inboard)	1	794730
19	Orifice	2	792146

Ref	Description	Qty	Part No
20	Bearing Cover Plate	1	794716
21	Oil Seal	1	794732
22A	Bearing Adjustment Shim Kit	1	794733
30	Oil Filter Fitting	1	794725
60A	Gasket - Oil Screen *	1	792136
60B	Gasket - Oil Screen Plug *	1	792123
60C	Gasket - Inspection Plate *	1	794122
60D	Gasket - Bearing Carrier Assembly*	1	794720
60L	Gasket - Oil Pump Cover *	1	794721
61A	O-Ring - Oil Screen *	1	792175
61D	O-Ring - Oil Bayonet *	1	792174
63C	Capscrew - Hex Hd	6	793116
63D	Capscrew - Soc Hd	4	790559
63E	Capscrew - Hex Hd	4	790484
63U	Capscrew - Hex Hd	8	792093
72B	Elbow	1	790453
73A	Pipe Plug	1	790024
96A	Pipe Plug	1	790488
96B	Pipe Plug	2	790309

\* Included in Gasket Sets



ISO-1083

**Oil Pump Detail for Models:**

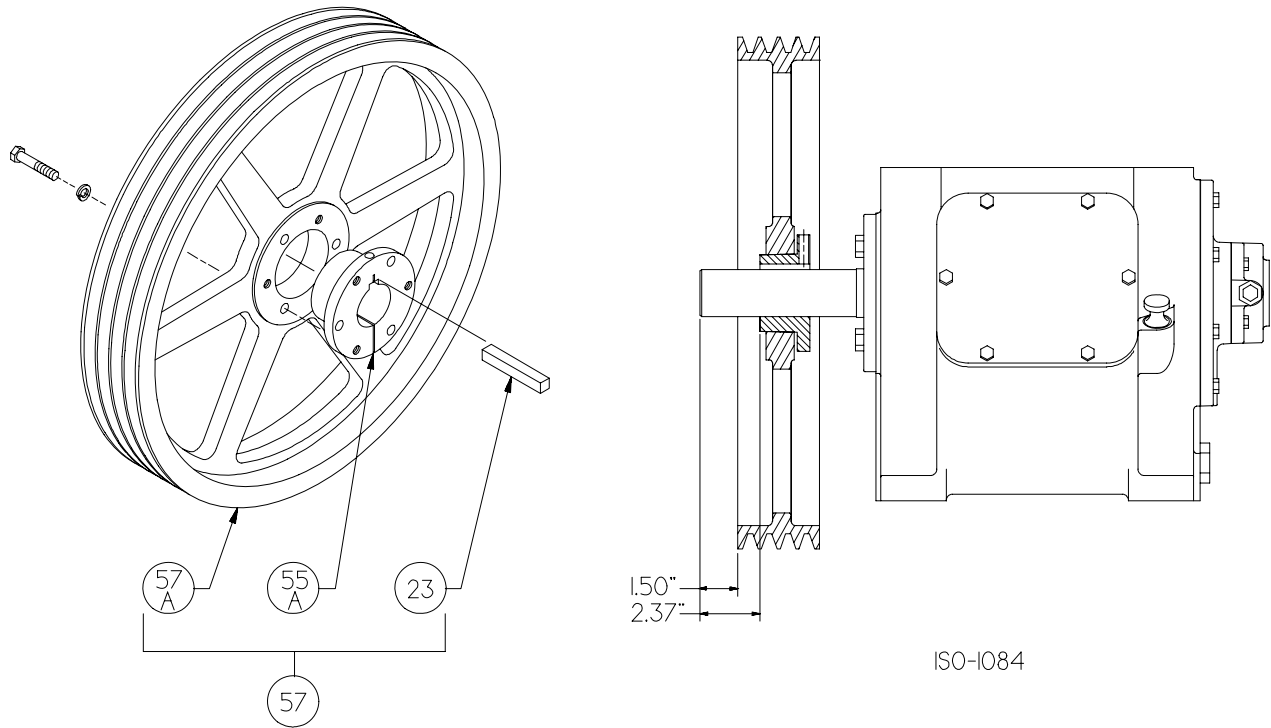
HD161C|B, HD162C|B, HD163C, HDS162C  
 HD172C|B, HD173C, HDL172C, HDL173C, HDS172C,  
 HDL342C|B, HDL343C|B,  
 HD361C|B, HD362C|B, HD363|B, HDS362C, HDL362C|B, HDL363C|B,  
 HD372C|B, HDL372C|B, HD373C, HDL373C|B, HDS372C  
 HD601B, HD602C|B, HD603C|B, HDL602C|B, HDL603C|B, HDS602C, HDL642C|B, HDL643C|B,  
 HD612C|B, HDL612C|B, HD613C|B, HDL613C|B, HDS612C|B  
 HD942B|A and HDL942B|A

ISO1083

Ref	Description	Qty	Part No
2B	Oil Filter	1	794726
5A	Oil Pump Kit (w/ 6, 9F, 60L)		794760
6	Oil Pump Cone	1	794750
7	Oil Pressure Gauge	1	790012
8A	Oil Pressure Adj. Ball	1	792154
9A	Oil Pressure Adj. Spring	1	792153
9F	Oil Pump Spring	1	794751
10	Oil Pressure Adj. Screw	1	792148
10A	Locknut	1	792152

Ref	Description	Qty	Part No
14	Oil Pump Cover Assembly - For Filter	1	794764
	Oil Pump Cover Assembly - w/ 17A, 96B		794763
17A	Roll Pin	1	794753
30	Oil Filter Fitting	1	794725
60L	Gasket - Oil Pump Cover *	1	794721
61C	O-Ring - Adjusting Screw *	1	792168
63D	Capscrew - Soc. Hd	4	790559
96B	Pipe Plug	2	790309

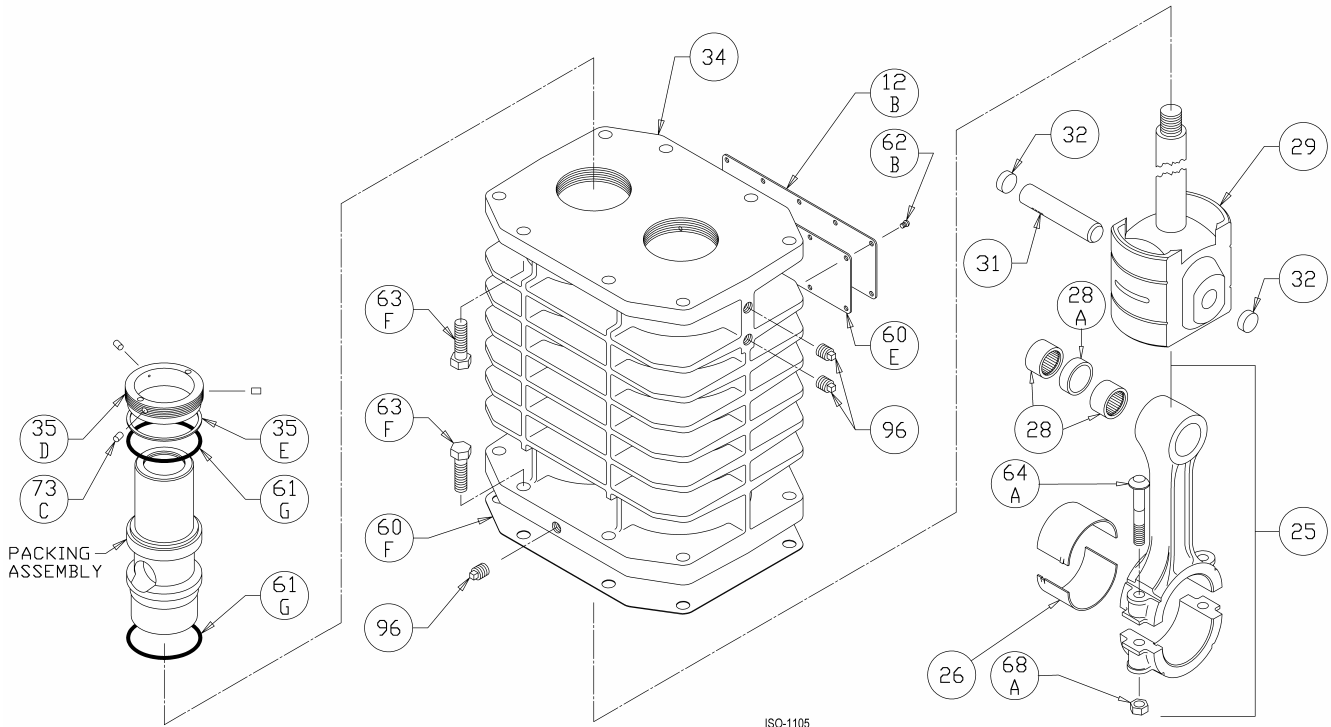
\* Included in Gasket Sets



Standard Flywheel Assembly:  
 HD601B, HD602C|B, HD603C|B  
 HDL602C|B, HDL603C|B, HDS602C|B  
 HDL642C|B, HDL643C|B

ISO1084

Ref	Description	Qty	Part No
23	Key	1	794267
55A	Hub	1	790149
57	Flywheel Assembly	1	794132
57A	Flywheel	1	790545



Crosshead Assembly: HDS602C, HDS612C

ISO1105

Ref	Description	Qty	Part No
12B	Inspection Plate	1	794093
25	Connecting Rod Assembly	2	794767
26	Connecting Rod Bearing	2	794710
28	Wrist Pin Roller Bearing	4	794776
28A	Bearing Spacer	2	794770
29	Crosshead Assembly (top marked '90k')	2	794523
31	Wrist Pin	2	794727
32	Wrist Pin Plug	4	794724
34	Crosshead Guide	1	794430
35D	Hold-down Ring	2	794220
	Hold-down Ring TNT-12		792839

Ref	Description	Qty	Part No
35E	Spacer Ring	2	794403
60E	Gasket - Inspection Plate *	1	794092
60F	Gasket - Crankcase *	1	794121
61G	O-Ring (FKM) *	4	794213
	O-Ring (PTFE) *		794208
62B	Machine Screw - Inspection Plate	10	793096
63F	Capscrew - Hex Hd - Stainless Steel	16	801185
64A	Connecting Rod Bolt	4	794012
68A	Connecting Rod Bolt Nut	4	794013
72A	Elbow - Vent	1	790453
73C	Lock Plug *	6	794028
96	Pipe Plug	4	793498

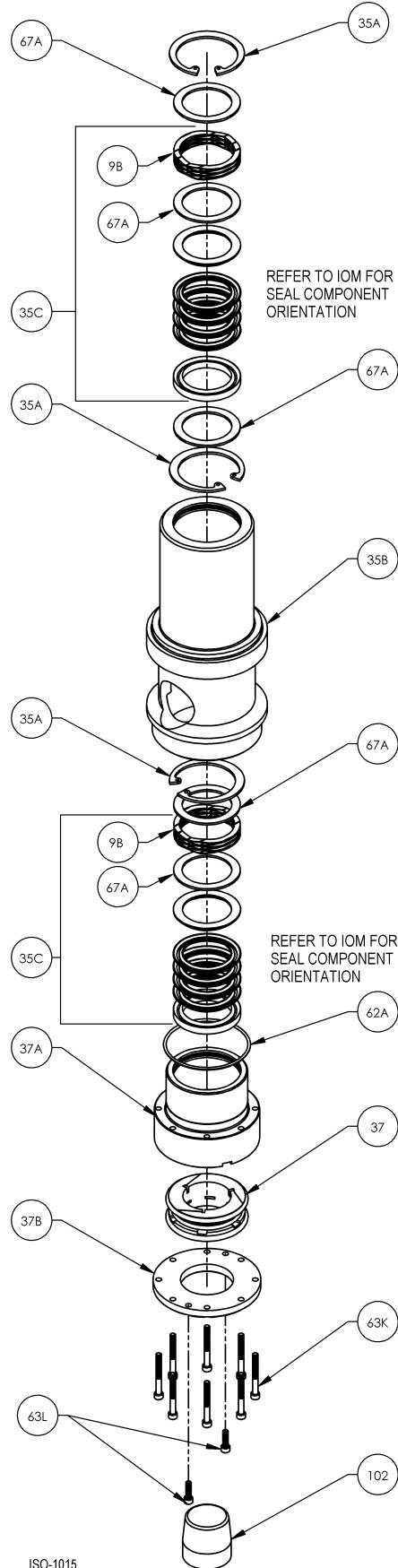
\*Included in Gasket Sets

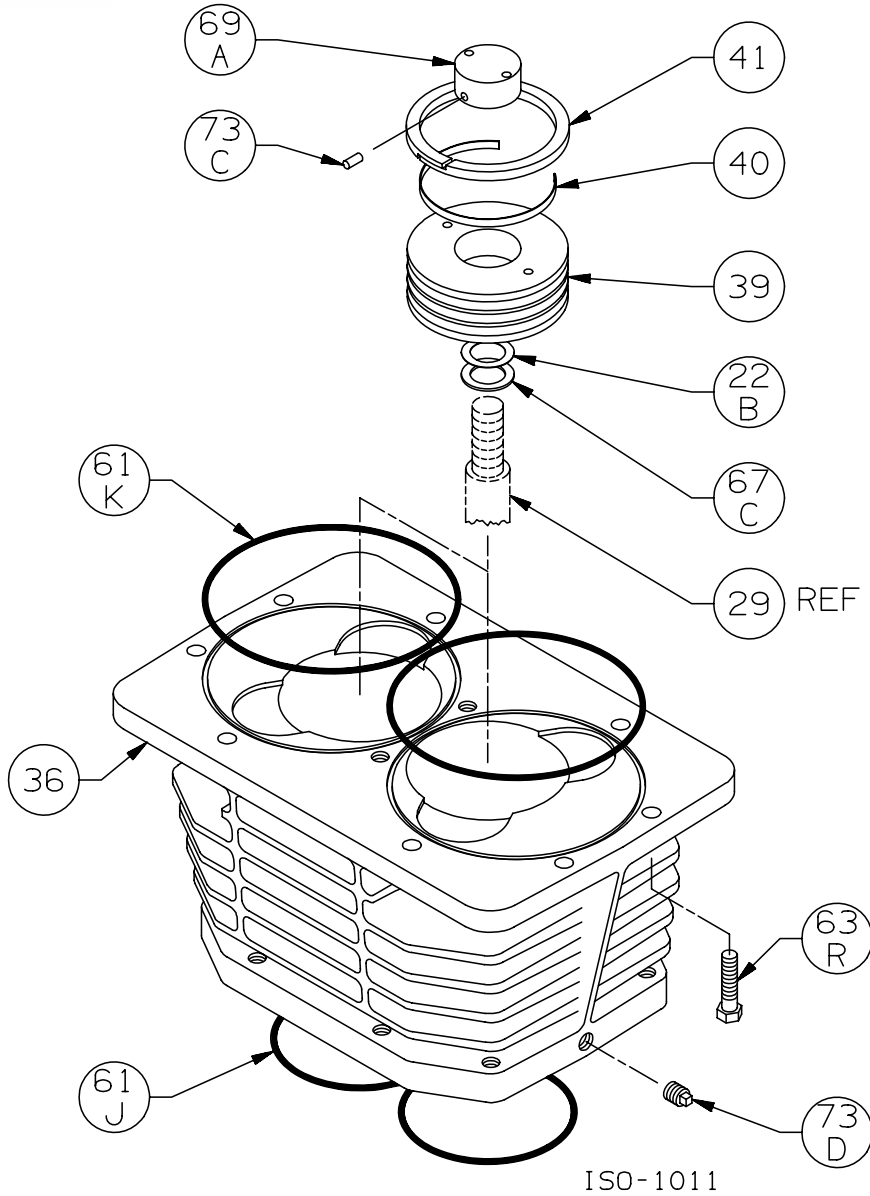
Packing Assembly: HDS602C, HDS612C

Ref	Description	Qty	Part No
9B	Packing Spring – Stainless Steel	4	794041
35A	Retainer Ring – Stainless Steel	6	794511
35B	Packing Box (top marked '1018')	2	794445
	TNT-12		794463
35C	Packing Set	4	794498
37	S3R Seal	2	794456
37A	Seal Cup	2	794455
	TNT-12		794462
37B	Seal Cup Cover	2	794454
62A	O-Ring (FKM) *	2	792313
	O-Ring (PTFE) *		792312
63K	Capscrew – Socket Head – SS	16	794464
63L	Capscrew – Socket Head – SS	4	794465
67A	Washer - Packing Box	10	794084
102	Packing Installation Tool	1	790538

\* Included in gasket sets.

Refer to the Compressor IOM for proper orientation of components.





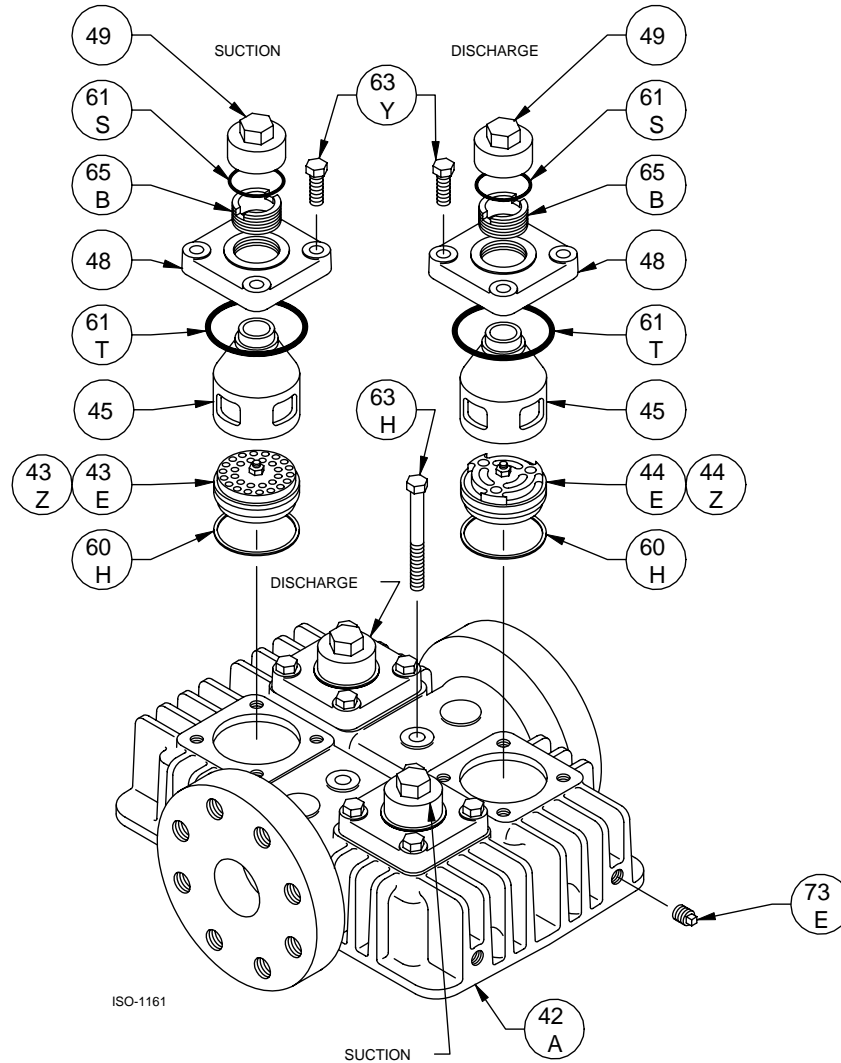
Cylinder Assembly: HDS602C|B

Ref	Description	Qty	Part No
22B	Piston Shim - 0.015"	AR	794434
	Piston Shim - 0.007"	AR	794436
36	Cylinder Cylinder TNT-12	1	794103 792831
39	Piston Piston TNT-12	2	794431 792833
40	Expander	6	793614
41	Piston Ring - Std Piston Ring - Poly Filled	6	793610 793612

\* Included in Gasket Sets

ISO1011

Ref	Description	Qty	Part No
61J	O-Ring (FKM) *	2	794214
	O-Ring (PTFE) *		794125
61K	O-Ring (FKM) *	2	794106
	O-Ring (PTFE) *		794105
63R	Cap screw - Hex Hd - Stainless Steel	8	793150
67C	Thrust Washer	2	794433
69A	Piston Nut	2	794422
	Piston Nut TNT-12		792834
73C	Lock Plug *	4	794222
73D	Pipe Plug	1	793498



Head Assembly: HDS602C|B

ISO1161

Ref	Description	Qty	Part No
42A	Head (ANSI Flanges)	1	794100
	Head TNT-12 (ANSI Flanges)		792893
43E	Suction Valve Assembly	2	793659
	Suction Valve Assembly TNT-12		792872
	Suction Valve Assy, Stainless Steel		793629
43Z	Valve Repair Kit - For 793659/793679		793660
	Valve Repair Kit - For 793629		793630
44E	Discharge Valve Assembly	2	793679
	Discharge Valve Assembly TNT-12		792873
	Discharge Valve Assy, Stainless Steel		793649
44Z	Valve Repair Kit - For 793659/793679		793660
	Valve Repair Kit - For 793649		793650
45	Cage	4	794620
	Cage TNT-12		792835

Ref	Description	Qty	Part No
48	Valve Cover Plate	4	794284
	Valve Cover Plate TNT-12		792817
49	Valve Cap	4	792003
	Valve Cap TNT-12		792804
60H	Gasket - Valve *	4	794198
61S	O-Ring (FKM) *	4	792308
	O-Ring (PTFE) *		792307
61T	O-Ring (FKM) *	4	792213
	O-Ring (PTFE) *		792210
63H	Capscrew - Hex Hd - Stainless Steel	2	920588
63Y	Capscrew - Hex Hd - Stainless Steel	16	793153
65B	Valve Holddown Screw	4	792002
	Valve Holddown Screw TNT-12		792806
73E	Pipe Plug	2	793498

\* Included in Gasket Sets

## Suggested Spare Parts for HDS602C:

Part #	Description	Qty./Unit	Comm. Qty.	Spare Qty.
794595	Gasket Set - FKM	1	1	1
794596	Gasket Set - PTFE *			
793660	Suction Valve Repair Kit - PEEK	2		2
793630	Suction Valve Repair Kit - Stainless Steel *			
793660	Discharge Valve Repair Kit - PEEK	2		2
793650	Discharge Valve Repair Kit - Stainless Steel *			
793610	Piston Ring - Standard	6	6	6
793612	Piston Ring - Poly Filled *			
793614	Piston Ring Expander	6	6	6
794498	Packing Set	4	4	4
790538	Packing Installation Tool	1	1	1
794726	Oil Filter	1		6
794727	Wrist Pin	2		2
794776	Wrist Pin Roller Bearing	4	4	4
794710	Conrod Bearing	2	2	2
The following parts would normally be required only for major compressor overhaul.				
794730	Inboard Bearing Cone	1		1
794731	Inboard Bearing Cup	1		1
794130	Outboard Bearing Cone	1		1
794131	Outboard Bearing Cup	1		1
794523	Crosshead Assembly	2		2
794456	S3R Seal	2		2
794767	Conrod Assembly	2		
794760	Oil Pump Repair Kit	1		
794708	Crankshaft Assembly	1		
794733	Bearing Adjustment Shim Kit	1		
794103	Cylinder	1		
792831	TNT-12 Treated Cyl.			

\* Optional Equipment on New Compressors