

Suggested Spare Parts for LB161 Compressors:

Part #	Description	Qty./Unit	Comm. Qty.	Spare Qty.
792099	Gasket Set - Buna-N, Aluminum T	1	1	1
792259	Suction Valve Sub-Assembly T	2		2
792279	Discharge Valve T	2		2
792018	Piston Ring T	6	6	6
792022	Piston Ring Expander T	6	6	6
793499	Packing Set T	2	2	2
790004	Oil Filter (Package of 6)*	1		1
792014	Wrist Pin I	2		2
792013	Wrist Pin Bushing I	2	2	2
792012	Conrod Bearing I	2	2	2

The following parts would normally be required only for major compressor overhaul.

792029	Crosshead Assembly I	2		1
792127	Inboard Bearing Cone	1		1
792142	Outboard Bearing Cone	1		1
792126	Inboard Bearing Cup	1		1
792138	Outboard Bearing Cup	1		1
792009	Conrod Assembly	2		1
792159	Crankshaft Assembly with Bearing Cones	1		
792169	Extended Crankshaft Assembly *			
792133	Bearing Adjustment Shim Kit	1		
798855	Oil Pump Repair Kit	1		
792101	Cylinder	1		

The Following Spare Parts Kits Are Available

792229	Top End Kit (Includes 'T' Parts)
792230	Intermediate Kit (Includes 'T' and 'I' Parts)

* Optional Equipment on New Compressors



LB161 PARTS LIST

Serial # _____

ID# _____

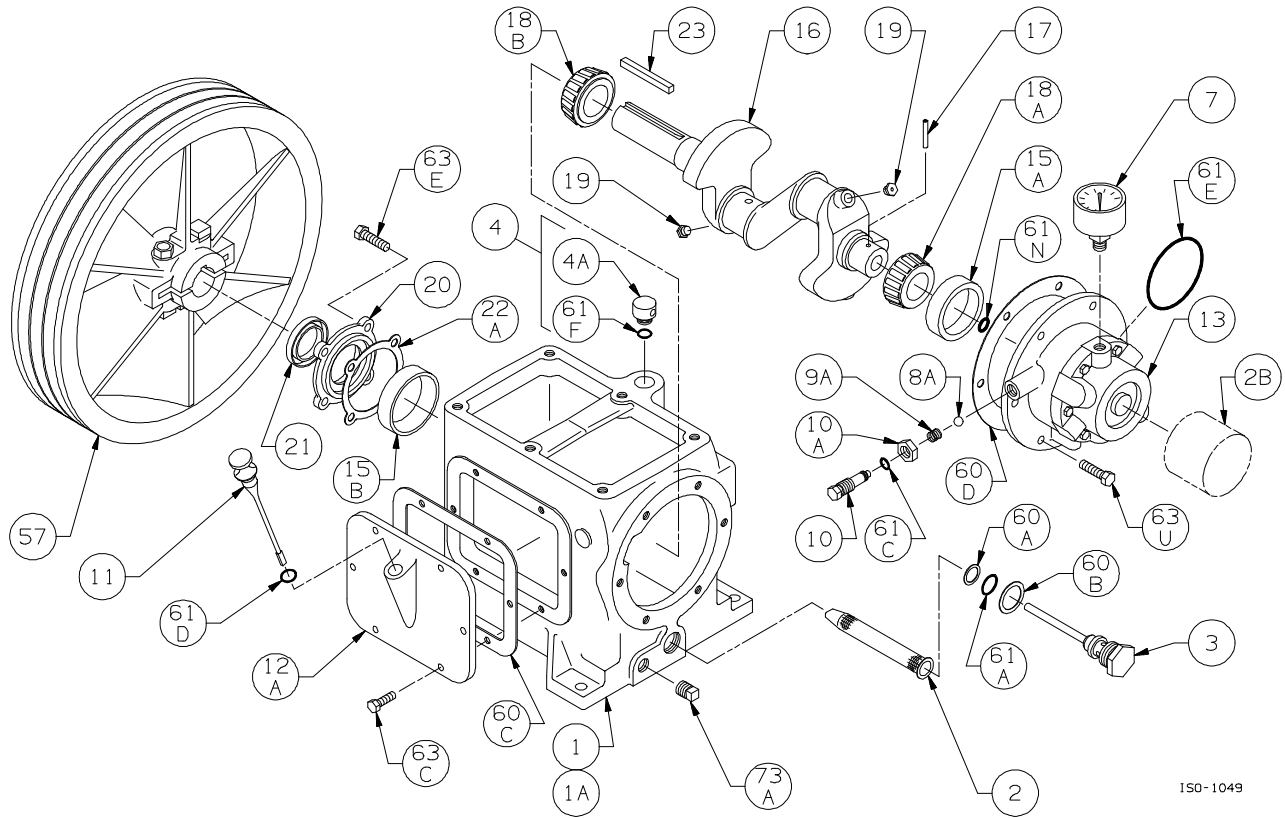
Gasket Set, Repair Kits and Special Tools

Gasket Set	Buna-N & Aluminum	792099
Top End Repair Kit		792229
Includes Piston Rings & Expanders, Packing Sets, Valves, Gaskets & O-rings		
Intermediate Repair Kit		792230
Includes Top End Kit plus Wrist Pins & Bushings, Connecting Rod Bearings, and Crossheads.		
Packing Installation Tool		790536
Spanner Wrench, 1/4" Adjustable		790316
Wrench for Valve Holdown Screw		790535
Tool Kit		790199

Bulletins Needed For Complete Parts List

This page	5E-010
Crankcase	5F-010
Oil Pump	5G-010
Crosshead	5J-010
Cylinder	5L-010
Head	5M-010

Notes:



150-1049

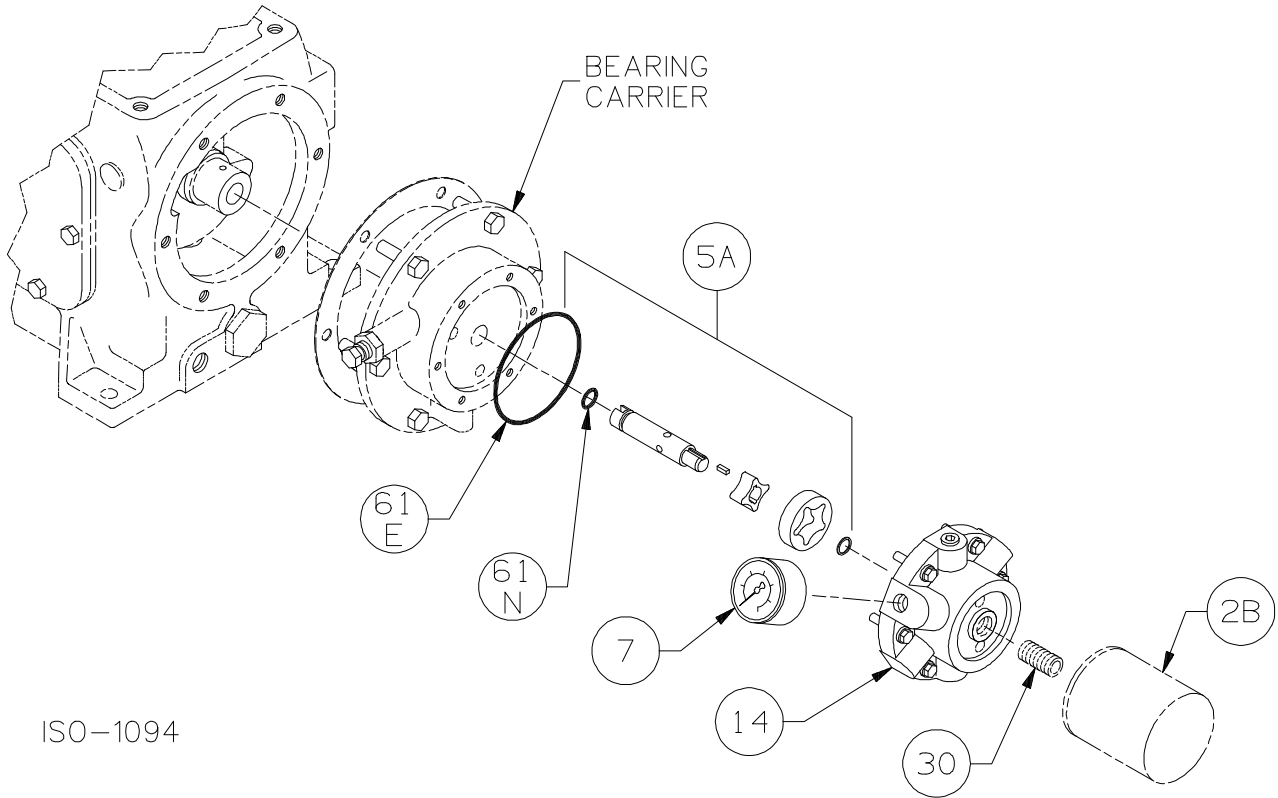
Crankcase Assembly: Models LB161, LB162

ISO1049

Ref	Description	Qty	Part No
1	Crankcase Assembly (Less Flywheel)	1	792119
1A	Crankcase	1	792134
2	Oil Intake Screen	1	792135
2B	Oil Filter (Package of 6)	1	790004
3	Oil Screen Plug	1	792145
4	Breather Assembly	1	793149
4A	Breather Cap	1	792144
7	Oil Pressure Gauge	1	790012
8A	Oil Pressure Adjusting Ball	1	792154
9A	Oil Pressure Adjusting Spring	1	792153
10	Oil Pressure Adjusting Screw	1	792148
10A	Locknut	1	792152
11	Oil Bayonet Assembly	1	792162
12A	Inspection Plate	1	792131
13	Bearing Carrier Assembly Bearing Carrier Assembly with Oil Filter	1	792179 792170
15A	Bearing Cup (Outboard)	1	792138
15B	Bearing Cup (Inboard)	1	792126
16	Crankshaft Assembly (w/ 18A, 18B, 19) Crankshaft Assembly - Extended	1	792159 792169
17	Oil Pump Drive Pin	1	792147
18A	Bearing Cone (Outboard)	1	792142

Ref	Description	Qty	Part No
18B	Bearing Cone (Inboard)	1	792127
19	Orifice	2	792146
20	Bearing Cover Plate	1	792137
21	Oil Seal	1	792143
22A	Bearing Adjustment Shim Kit	1	792133
23	Key	1	792167
57	Flywheel Assembly	1	792128
60A	Gasket - Oil Screen *	1	792136
60B	Gasket - Oil Screen Plug *	1	792123
60C	Gasket - Inspection Plate *	1	792122
60D	Gasket - Bearing Carrier Assembly *	1	792124
61A	O-Ring - Oil Screen *	1	792175
61C	O-Ring - Adjusting Screw *	1	792168
61D	O-Ring - Oil Bayonet *	1	792174
61E	O-Ring - Oil Pump Cover *	1	792186
61F	O-Ring - Breather Cap *	1	792173
61N	O-Ring - Oil Pump Shaft *	1	792174
63C	Capscrew - Hex Hd	6	793116
63E	Capscrew - Hex Hd	4	793158
63U	Capscrew - Hex Hd	6	792093
73A	Pipe Plug	1	792166

* Included in Gasket Sets



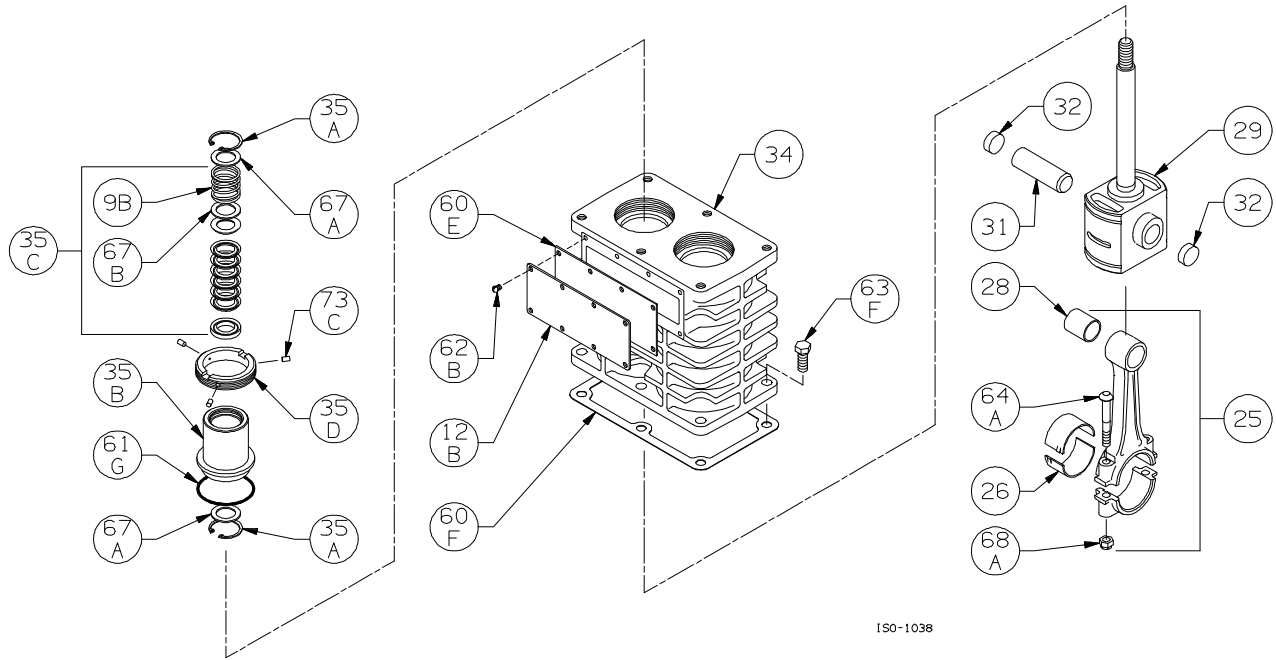
ISO-1094

Oil Pump Detail: Models LB161, LB162,
LB361, LB361A, LB362, LB362A, LB362B
LB601, LB601A, LB602, LB602A

S1094

Ref	Description	Qty	Part No
2B	Oil Filter (Package of 6)	1	790004
5A	Oil Pump Kit (w/ 61E, 61N)	1	798855
	LB161, LB162, LB361, LB361A, LB362, LB362A, LB362B	1	798856
	LB601, LB601A, LB602, LB602A	1	798856
7	Oil Pressure Gauge	1	790012
14	Oil Pump Cover	1	792181
	Oil Pump Cover - For Filter		790001
30	Oil Filter Fitting	1	790002
61E	O-Ring - Oil Pump Cover *	1	792186
61N	O-Ring - Oil Pump Shaft *	1	792174

* Included in Gasket Sets



ISO-1038

Crosshead Assembly: Models LB161, LB161B

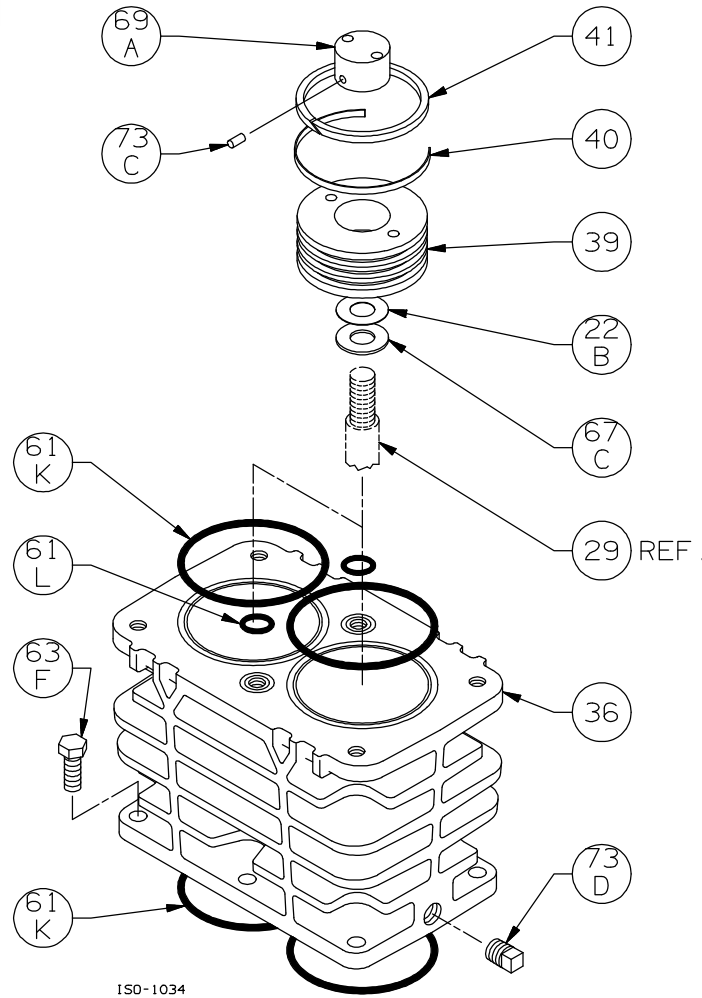
ISO1038

Ref	Description	Qty	Part No
9B	Packing Spring	2	792077
12B	Inspection Plate	1	792017
25	Connecting Rod Assembly	2	792009
26	Connecting Rod Bearing	2	792012
28	Wrist Pin Bushing **	2	792013
29	Crosshead Assembly	2	792029
31	Wrist Pin	2	792014
32	Wrist Pin Plug	4	792178
34	Crosshead Guide	1	792091
35A	Retainer Ring	4	792088
35B	Packing Box	2	793221
35C	Packing Set	2	793499

Ref	Description	Qty	Part No
35D	Hold-down Ring	2	793220
60E	Gasket - Inspection Plate *	1	792092
60F	Gasket - Crankcase *	1	792121
61G	O-Ring (Buna-N) Std *	2	792125
62B	Machine Screw - Inspection Plate	8	793096
63F	Capscrew - Hex Hd	6	792093
64A	Connecting Rod Bolt	4	792006
67A	Washer - Packing Box	4	792083
67B	Washer - Packing Spring	2	792087
68A	Connecting Rod Bolt Nut	4	792005
73C	Lock Plug *	6	792030

* Included in Gasket Sets

** Must be honed after installing

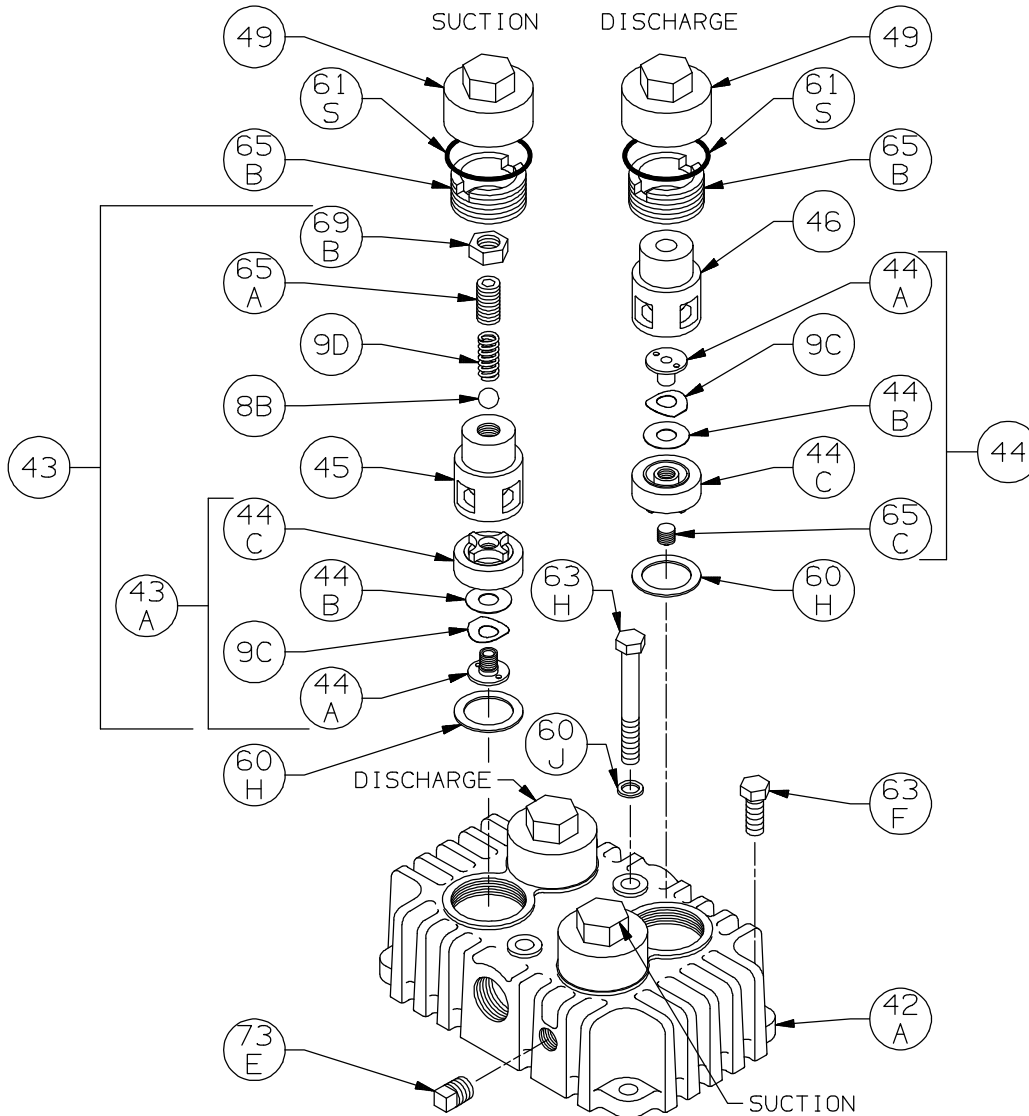


Cylinder Assembly:
Models LB161, LB161B, LB162B

ISO1034

Ref	Description	Qty	Part No
22B	Piston Shim - 0.015	AR	792034
	Piston Shim - 0.007	AR	792050
36	Cylinder	1	792101
39	Piston	2	792031
40	Expander	6	792022
41	Piston Ring	6	792018
61K	O-Ring *	4	792112
61L	O-Ring *	2	792114
63F	Capscrew - Hex Hd	6	792093
67C	Thrust Washer	2	792033
69A	Piston Nut	2	793022
73C	Lock Plug *	4	793028
73D	Pipe Plug	1	793498

* Included in Gasket Sets



ISO-1033

Head Assembly: Models LB161, LB161B, LB162, LB162B

ISO1033

Ref	Description	Qty	Part No
8B	Liquid Relief Valve Ball	2	792042
9C	Valve Spring	4	792038
9D	Liquid Relief Valve Spring	2	792045
42A	Head	1	792111
43	Suction Valve Assembly	2	792269
43A	Valve Sub-Assembly	0	792259
44	Discharge Valve Assembly	2	792279
44A	Valve Bumper	4	792235
44B	Valve Disc	4	792037
44C	Valve Body	4	792236
45	Liquid Relief Valve Body	2	792046
46	Cage	2	792051

Ref	Description	Qty	Part No
49	Valve Cap	4	792003
60H	Gasket - Valve *	4	792107
60J	Gasket - Center Head Bolt *	2	792113
61S	O-Ring *	4	792306
63F	Capscrew - Hex Hd	4	792093
63H	Capscrew - Hex Hd	2	792095
65A	Liquid Relief Valve Screw	2	792043
65B	Valve Holddown Screw	4	792002
65C	Screw	2	792234
69B	Nut	2	792044
73E	Pipe Plug	2	793498

* Included in Gasket Sets