

Suggested Spare Parts for LB361 and LB361A Compressors:

Part #	Description	Qty./Unit	Comm. Qty.	Spare Qty.
793099	Gasket Set - Buna-N, Aluminum T	1	1	1
793259	Suction Valve Sub-Assembly T	2		2
793279	Discharge Valve T	2		2
793008	Piston Ring T	6	6	6
793012	Piston Ring Expander T	6	6	6
793499	Packing Set T	2	2	2
790004	Oil Filter (Package of 6)*	1		1
793004	Wrist Pin I	2		2
793003	Wrist Pin Bushing I	2	2	2
793002	Conrod Bearing I	2	2	2

The following parts would normally be required only for major compressor overhaul.

793029	Crosshead Assembly I	2		1
793142	Inboard Bearing Cone	1		1
792127	Outboard Bearing Cone	1		1
793126	Inboard Bearing Cup	1		1
792126	Outboard Bearing Cup	1		1
793009	Conrod Assembly	2		1
793159	Crankshaft Assembly with Bearing Cones	1		
793169	Extended Crankshaft Assembly *			
793133	Bearing Adjustment Shim Kit	1		
798855	Oil Pump Repair Kit	1		
793045	LB361A Cylinder	1		
793101	LB361 Cylinder			

The Following Spare Parts Kits Are Available

793229	Top End Kit (Includes 'T' Parts)
793230	Intermediate Kit (Includes 'T' and 'I' Parts)

* Optional Equipment on New Compressors



LB361 and LB361A PARTS LIST

Serial # _____

ID# _____

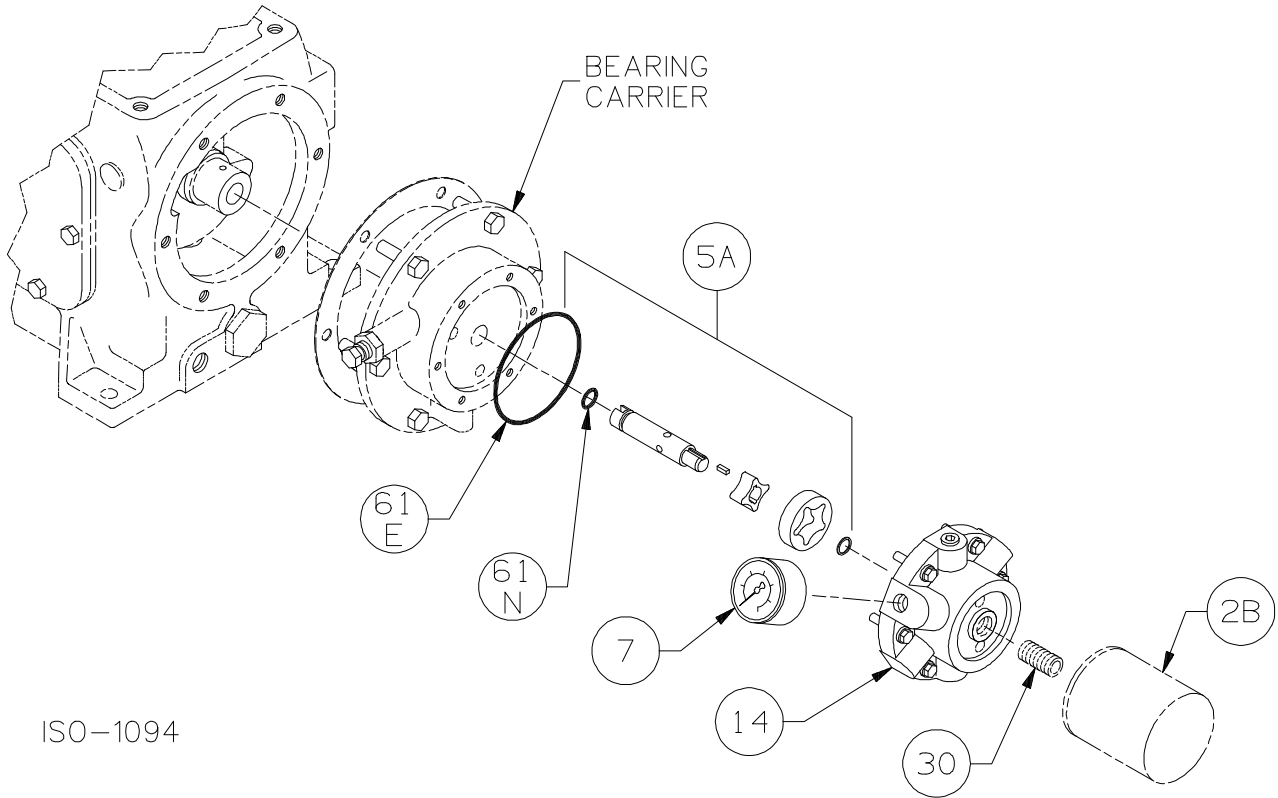
Gasket Set, Repair Kits and Special Tools

Gasket Set (Buna-N & Aluminum)	793099
Top End Repair Kit Includes Piston Rings & Expanders, Packing Sets, Valves, Gaskets & O-rings	793229
Intermediate Repair Kit Includes Top End Kit plus Wrist Pins & Bushings, Connecting Rod Bearings, and Crossheads.	793230
Packing Installation Tool	790536
Spanner Wrench, 1/4" Adjustable	790316
Tool Kit	790199

Bulletins Needed For Complete Parts List

	LB361	LB361A
This page	5E-030	5E-030
Crankcase	5F-020	5F-020
Oil Pump	5G-010	5G-010
Crosshead	5J-030	5J-030
Cylinder	5L-001	5L-030
Head	5M-001	5M-020

Notes:



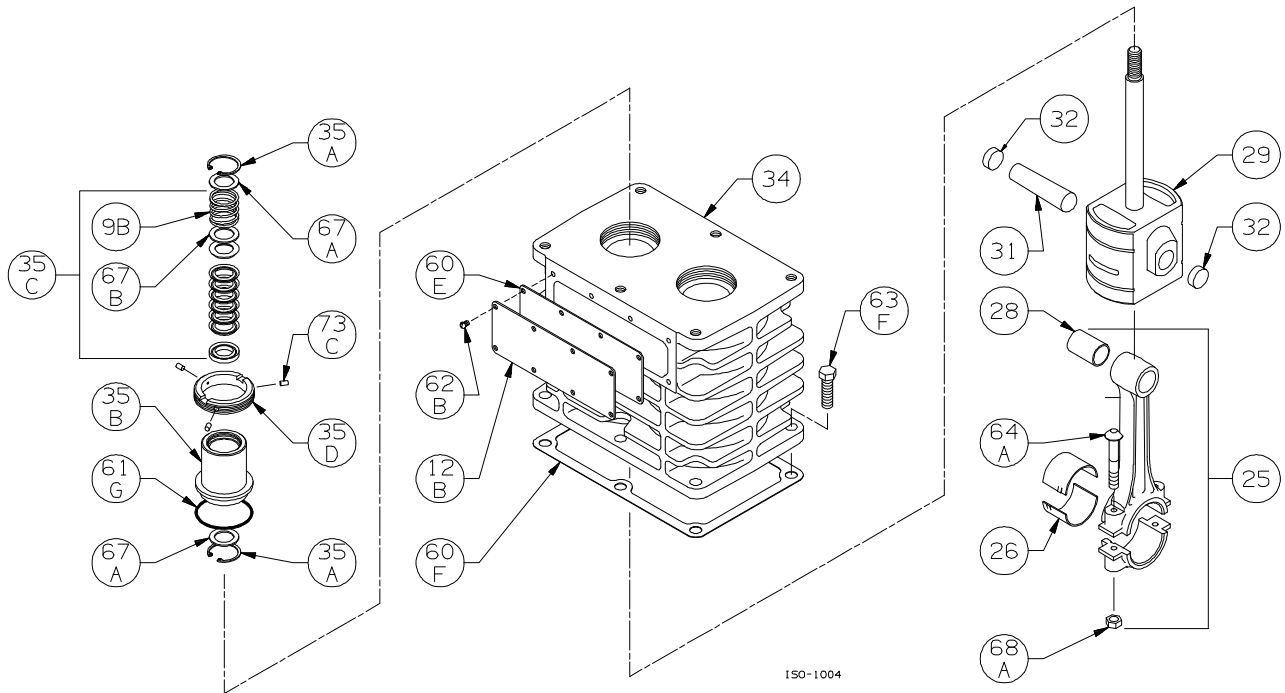
ISO-1094

Oil Pump Detail: Models LB161, LB162,
LB361, LB361A, LB362, LB362A, LB362B
LB601, LB601A, LB602, LB602A

S1094

Ref	Description	Qty	Part No
2B	Oil Filter (Package of 6)	1	790004
5A	Oil Pump Kit (w/ 61E, 61N)	1	798855
	LB161, LB162, LB361, LB361A, LB362, LB362A, LB362B	1	798856
	LB601, LB601A, LB602, LB602A		
7	Oil Pressure Gauge	1	790012
14	Oil Pump Cover	1	792181
	Oil Pump Cover - For Filter		790001
30	Oil Filter Fitting	1	790002
61E	O-Ring - Oil Pump Cover *	1	792186
61N	O-Ring - Oil Pump Shaft *	1	792174

* Included in Gasket Sets



ISO-1004

Crosshead Assembly: Models LB361, LB361A, LB361B

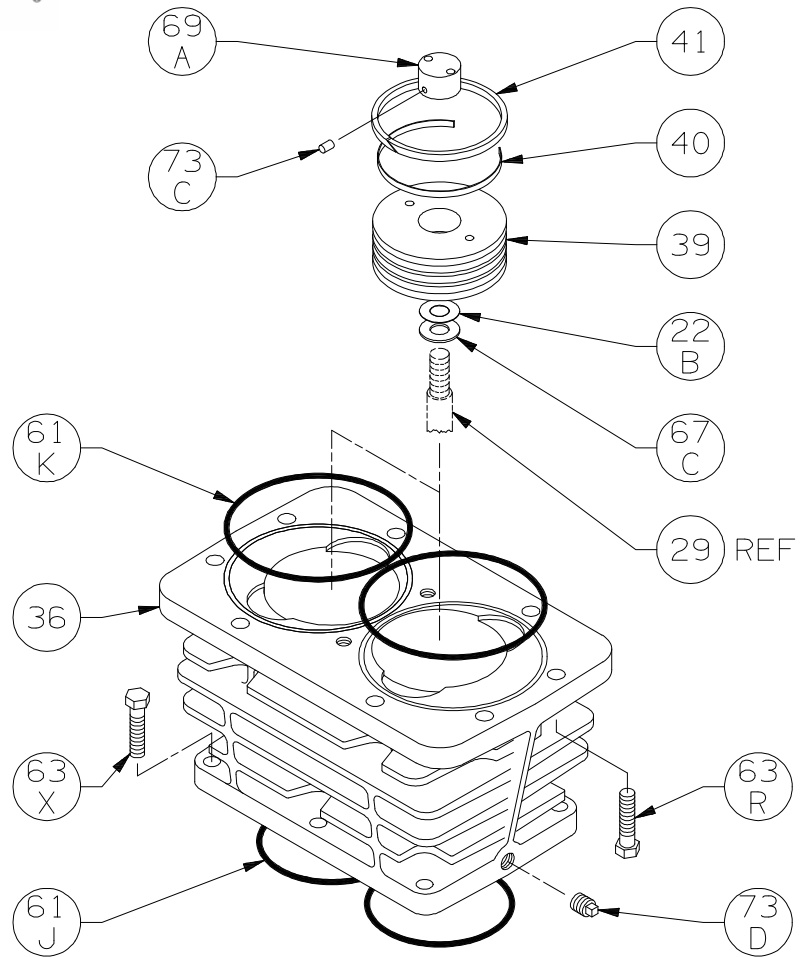
ISO1004

Ref	Description	Qty	Part No
9B	Packing Spring	2	792077
12B	Inspection Plate	1	793093
25	Connecting Rod Assembly	2	793009
26	Connecting Rod Bearing	2	793002
28	Wrist Pin Bushing **	2	793003
29	Crosshead Assembly	2	793029
31	Wrist Pin	2	793004
32	Wrist Pin Plug	4	792178
34	Crosshead Guide	1	793091
35A	Retainer Ring	4	792088
35B	Packing Box	2	793221
35C	Packing Set	2	793499

Ref	Description	Qty	Part No
35D	Hold-down Ring	2	793220
60E	Gasket - Inspection Plate *	1	793092
60F	Gasket - Crankcase *	1	793121
61G	O-Ring (Buna-N) Std *	2	792125
62B	Machine Screw - Inspection Plate	8	793096
63F	CapscREW - Hex Hd	6	793094
64A	Connecting Rod Bolt	4	793006
67A	Washer - Packing Box	4	792083
67B	Washer - Packing Spring	2	792087
68A	Connecting Rod Bolt Nut	4	793007
73C	Lock Plug *	6	792030

* Included in Gasket Sets

** Must be honed after installing



ISO-1003

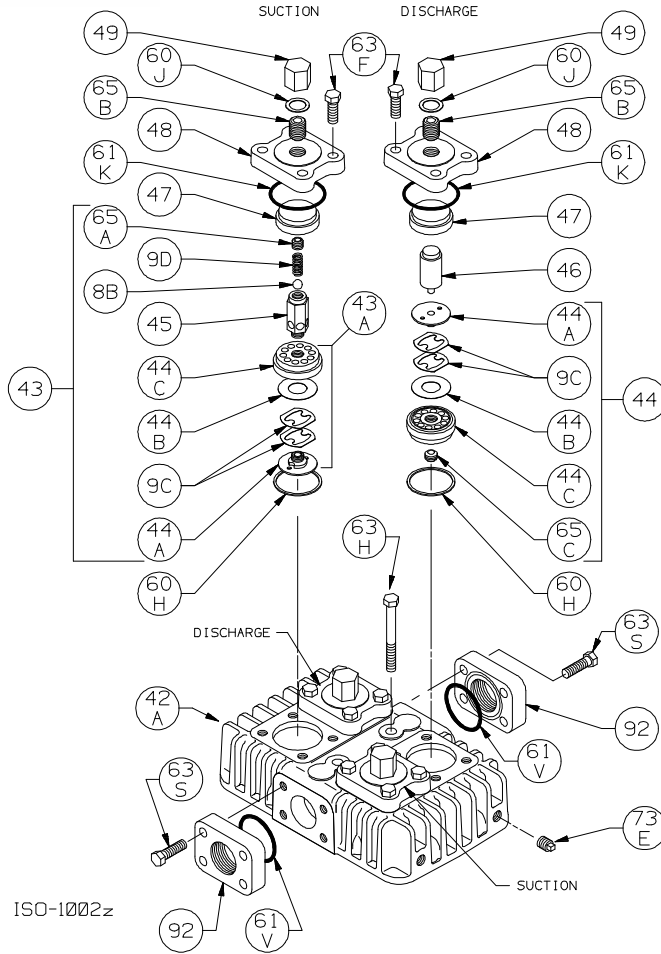
Cylinder Assembly:

Models LB361A, LB361B, LB362B, LB362C

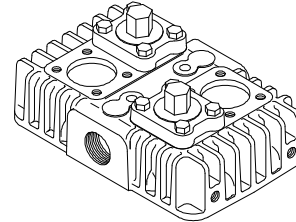
ISO1003

Ref	Description	Qty	Part No
22B	Piston Shim - 0.015	AR	792034
	Piston Shim - 0.007	AR	792050
36	Cylinder	1	793045
39	Piston	2	793021
40	Expander	6	793012
41	Piston Ring	6	793008
61J	O-Ring *	2	793177
61K	O-Ring *	2	793641
63R	Capscrew - Hex Hd	8	794097
63X	Capscrew - Hex Hd	6	794096
67C	Thrust Washer	2	792033
69A	Piston Nut	2	793022
73C	Lock Plug *	4	793028
73D	Pipe Plug	1	793498

* Included in Gasket Sets



Head style used prior to January 1999. Replaced by the flanged head shown to the left.



Head Assembly: Models LB361A, LB361B, LB362B, LB362C

ISO1002

Ref	Description	Qty	Part No
8B	Liquid Relief Valve Ball	2	792042
9C	Valve Spring	8	793038
9D	Liquid Relief Valve Spring	2	792045
42A	Head ¹	1	793044
43	Suction Valve Assembly	2	793269
43A	Valve Sub-Assembly	0	793259
44	Discharge Valve Assembly	2	793279
44A	Valve Bumper	4	793235
44B	Valve Disc	4	793037
44C	Valve Body	4	793236
45	Liquid Relief Valve Body	2	793046
46	Post	2	793034
47	Valve Spacer	4	793061
48	Valve Cover Plate	4	793071
49	Valve Cap	4	793072
60H	Gasket - Valve *	4	793107

Ref	Description	Qty	Part No
60J	Gasket - Valve Cap *	4	793108
61K	O-Ring *	4	793114
61V	O-Ring *	2	792125
63F	Capscrew - Hex Hd	16	793094
63H	Capscrew - Hex Hd	2	793115
63S	Capscrew - Hex Hd	8	794096
65A	Liquid Relief Valve Screw	2	793054
65B	Valve Holddown Screw	4	794068
65C	Screw	2	793234
73E	Pipe Plug	2	793498
92	Flange 1.25" NPT (Std.)	2	793055
	Flange 1.5" NPT (Opt.)		793057
	Flange 1.25" Weld (Opt.)		793056
	Flange 1.5" Weld (Opt.)		793058

* Included in Gasket Sets

¹ If replacing a threaded head, the flanged head, flanges, bolts and O-rings must be ordered instead.