

Suggested Spare Parts for LB362, LB362A and LB362B Compressors:

Part #	Description	Qty./Unit	Comm. Qty.	Spare Qty.
793598	LB362B Gasket Set - Buna-N	1	1	1
793599	LB362 and LB362A Gasket Set - Buna-N			
793259	Suction Valve Sub-Assembly	2		2
793279	Discharge Valve	2		2
793008	Piston Ring	6	6	6
793012	Piston Ring Expander	6	6	6
793499	Packing Set	4	4	4
790004	Oil Filter (Package of 6)*	1		1
793004	Wrist Pin	2		2
793003	Wrist Pin Bushing	2	2	2
793002	Conrod Bearing	2	2	2
The following parts would normally be required only for major compressor overhaul.				
793142	Inboard Bearing Cone	1		1
793126	Inboard Bearing Cup	1		1
792127	Outboard Bearing Cone	1		1
792126	Outboard Bearing Cup	1		1
793429	Crosshead Assembly	2		1
793009	Conrod Assembly	2		1
798855	Oil Pump Repair Kit	1		
793159	Crankshaft Assembly	1		
793169	Extended Crankshaft Assembly *			
793133	Bearing Adjustment Shim Kit	1		
793045	LB362B Cylinder			
793101	LB362A Cylinder	1		
793401	LB362 Cylinder			

* Optional Equipment on New Compressors



LB362, LB362A and LB362B PARTS LIST

Serial # _____

ID# _____

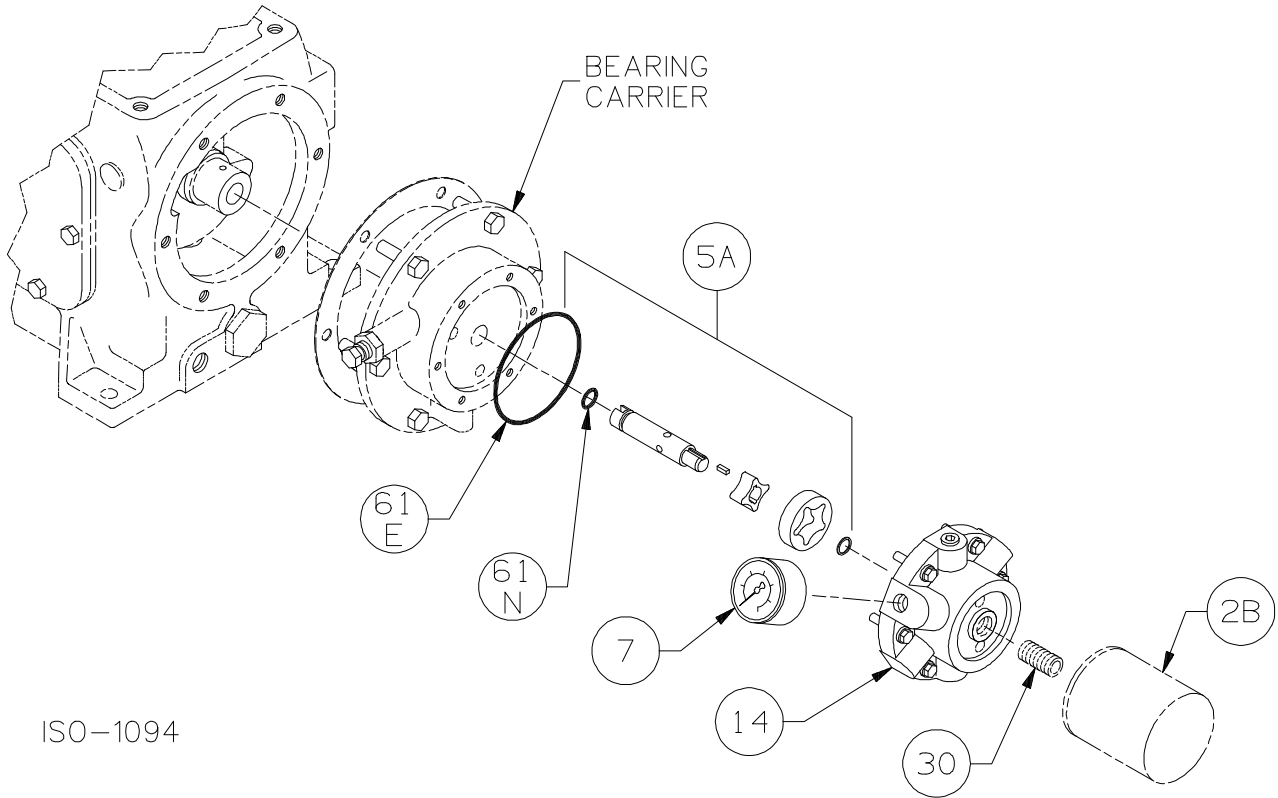
Gasket Set and Special Tools

Gasket Set (Buna-N & Aluminum)	
LB362 and LB362A	793599
LB362B	793598
Packing Installation Tool	790536
Spanner Wrench, 1/4" Adjustable	790316
Tool Kit	790199

Bulletins Needed For Complete Parts List

	LB362	LB362A	LB362B
This page	5E-040	5E-040	5E-040
Crankcase	5F-020	5F-020	5F-020
Oil Pump	5G-010	5G-010	5G-010
Crosshead	5J-001	5J-040	5J-040
Cylinder	5L-001	5L-001	5L-030
Head	5M-001	5M-001	5M-020

Notes:



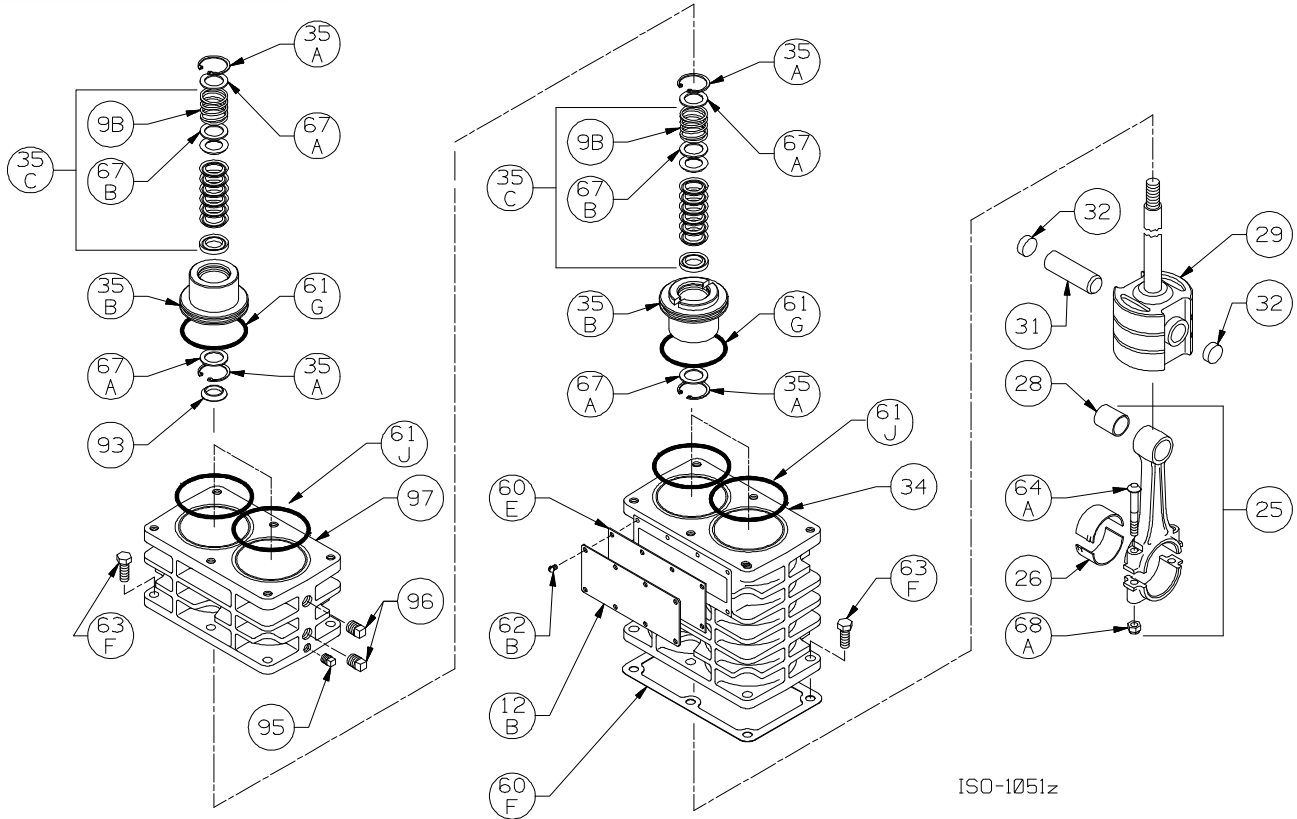
ISO-1094

Oil Pump Detail: Models LB161, LB162,
LB361, LB361A, LB362, LB362A, LB362B
LB601, LB601A, LB602, LB602A

S1094

Ref	Description	Qty	Part No
2B	Oil Filter (Package of 6)	1	790004
5A	Oil Pump Kit (w/ 61E, 61N) LB161, LB162, LB361, LB361A, LB362, LB362A, LB362B LB601, LB601A, LB602, LB602A	1	798855
		1	798856
7	Oil Pressure Gauge	1	790012
14	Oil Pump Cover	1	792181
	Oil Pump Cover - For Filter		790001
30	Oil Filter Fitting	1	790002
61E	O-Ring - Oil Pump Cover *	1	792186
61N	O-Ring - Oil Pump Shaft *	1	792174

* Included in Gasket Sets



ISO-1051z

Crosshead Assembly: Model LB362

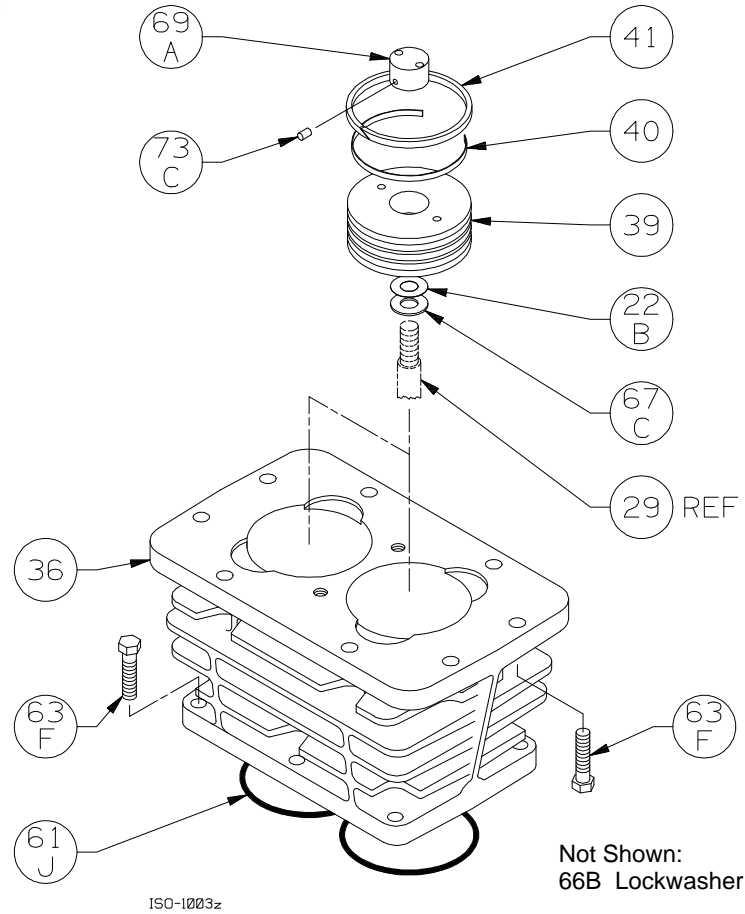
ISO1051z

Ref	Description	Qty	Part No
9B	Packing Spring	4	792077
12B	Inspection Plate	1	793093
25	Connecting Rod Assembly	2	793009
26	Connecting Rod Bearing	2	793002
28	Wrist Pin Bushing **	2	793003
29	Crosshead Assembly	2	793429
31	Wrist Pin	2	793004
32	Wrist Pin Plug	4	792178
34	Crosshead Guide	1	793491
35A	Retainer Ring	8	792088
35B	Packing Box	4	793481
35C	Packing Set	4	793499
60E	Gasket - Inspection Plate *	1	793092
60F	Gasket - Crankcase *	1	793121

Ref	Description	Qty	Part No
61G	O-Ring (Buna-N) Std *	4	793484
61J	O-Ring (Buna-N) Std *	4	794482
62B	Machine Screw - Inspection Plate	8	793096
63F	Capscrew - Hex Hd	12	793094
64A	Connecting Rod Bolt	4	793006
67A	Washer - Packing Box	8	792083
67B	Washer - Packing Spring	4	792087
68A	Connecting Rod Bolt Nut	4	793007
93	Oil Deflector Ring	2	793478
95	Pipe Plug	2	793497
96	Pipe Plug	4	793498
97	Distance Piece	1	793400

* Included in Gasket Sets

** Must be honed after installing

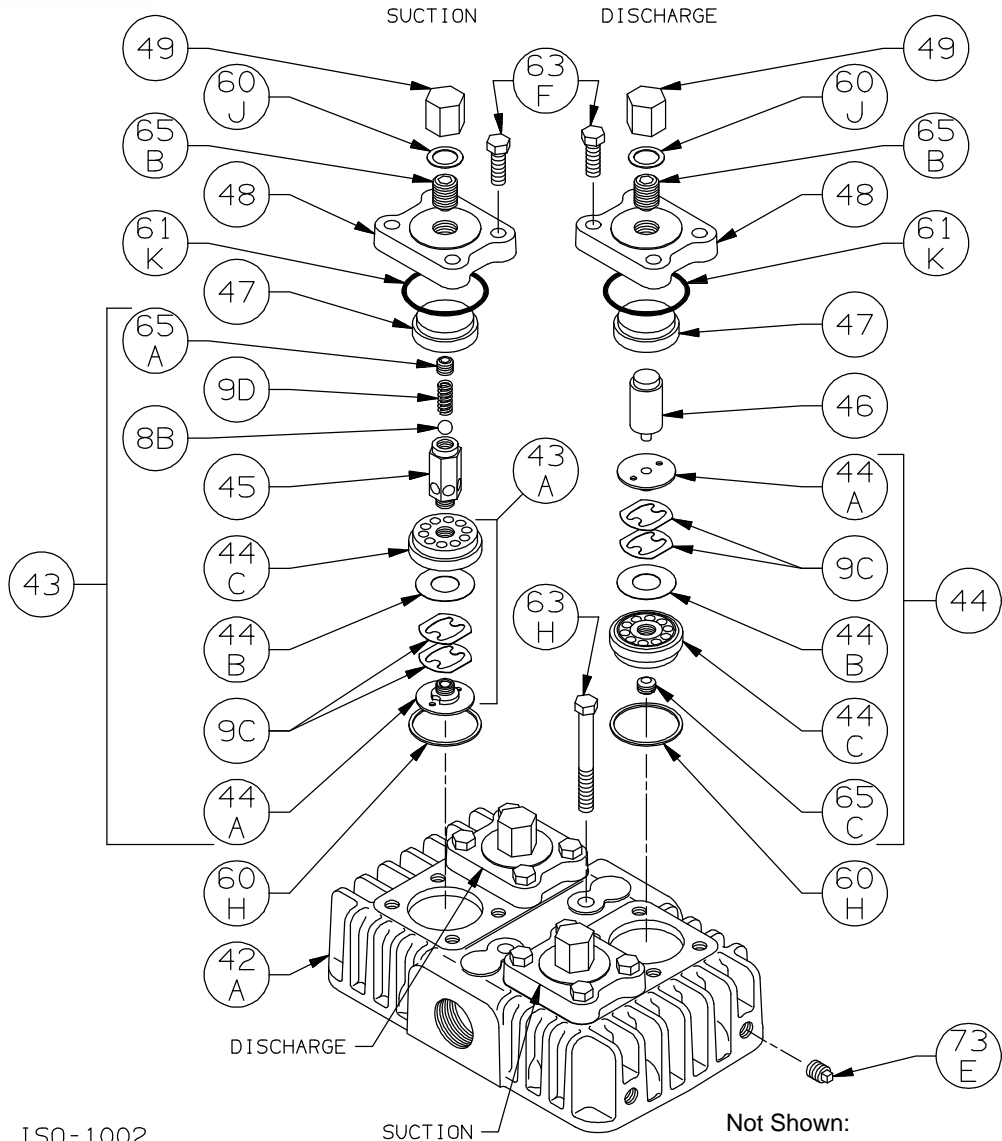


Cylinder Assembly:
Models LB361, LB362 and LB362A

ISO1003z

Ref	Description	Qty	Part No
22B	Piston Shim - 0.015	AR	792034
	Piston Shim - 0.007	AR	792050
36	Cylinder		
	Models LB361, LB362A	1	793101
	Model LB362	1	793401
39	Piston	2	793021
40	Expander	6	793012
41	Piston Ring	6	793008
61J	O-Ring *	2	793177
63F	Capscrew - Hex Hd	14	793094
66B	Lockwasher	14	793095
67C	Thrust Washer	2	792033
69A	Piston Nut	2	793022
73C	Lock Plug *	4	793028

* Included in Gasket Sets



ISO - 1002

SUCTION

Not Shown:
60G Gasket, Head to Cylinder
60K Gasket, Center Head Bolt

Head Assembly: Models LB361, LB362 and LB362A

ISO1002

Ref	Description	Qty	Part No
8B	Liquid Relief Valve Ball	2	792042
9C	Valve Spring	8	793038
9D	Liquid Relief Valve Spring	2	792045
42A	Head	1	793111
43	Suction Valve Assembly	2	793269
43A	Valve Sub-Assembly	—	793259
44	Discharge Valve Assembly	2	793279
44A	Valve Bumper	4	793235
44B	Valve Disc	4	793037
44C	Valve Body	4	793236
45	Liquid Relief Valve Body	2	793046
46	Post	2	793034
47	Valve Spacer	4	793061
48	Valve Cover Plate	4	793071

Ref	Description	Qty	Part No
49	Valve Cap	4	793072
60G	Gasket, Head to Cylinder *	1	793112
60K	Gasket, Center Head Bolt *	2	793113
60H	Gasket - Valve *	4	793107
60J	Gasket - Valve Cap *	4	793108
61K	O-Ring *	4	793114
63F	Capscrew - Hex Hd	16	793094
63H	Capscrew - Hex Hd	2	793115
65A	Liquid Relief Valve Screw	2	793054
65B	Valve Holddown Screw	4	793068
65C	Screw	2	793234
73E	Pipe Plug	2	793498

* Included in Gasket Sets