



Suggested Spare Parts for LB362, LB362A and LB362B Compressors:

| Part # | Description | Qty./Unit | Comm. Qty. | Spare Qty. |
|--|--------------------------------------|-----------|------------|------------|
| 793598 | LB362B Gasket Set - Buna-N | 1 | 1 | 1 |
| 793599 | LB362 and LB362A Gasket Set - Buna-N | | | |
| 793259 | Suction Valve Sub-Assembly | 2 | | 2 |
| 793279 | Discharge Valve | 2 | | 2 |
| 793008 | Piston Ring | 6 | 6 | 6 |
| 793012 | Piston Ring Expander | 6 | 6 | 6 |
| 793499 | Packing Set | 4 | 4 | 4 |
| 790004 | Oil Filter (Package of 6)* | 1 | | 1 |
| 793004 | Wrist Pin | 2 | | 2 |
| 793003 | Wrist Pin Bushing | 2 | 2 | 2 |
| 793002 | Conrod Bearing | 2 | 2 | 2 |
| The following parts would normally be required only for major compressor overhaul. | | | | |
| 793142 | Inboard Bearing Cone | 1 | | 1 |
| 793126 | Inboard Bearing Cup | 1 | | 1 |
| 792127 | Outboard Bearing Cone | 1 | | 1 |
| 792126 | Outboard Bearing Cup | 1 | | 1 |
| 793429 | Crosshead Assembly | 2 | | 1 |
| 793009 | Conrod Assembly | 2 | | 1 |
| 798855 | Oil Pump Repair Kit | 1 | | |
| 793159 | Crankshaft Assembly | 1 | | |
| 793169 | Extended Crankshaft Assembly * | | | |
| 793133 | Bearing Adjustment Shim Kit | 1 | | |
| 793045 | LB362B Cylinder | | | |
| 793101 | LB362A Cylinder | 1 | | |
| 793401 | LB362 Cylinder | | | |

* Optional Equipment on New Compressors



LB362, LB362A and LB362B PARTS LIST

Serial # _____

ID# _____

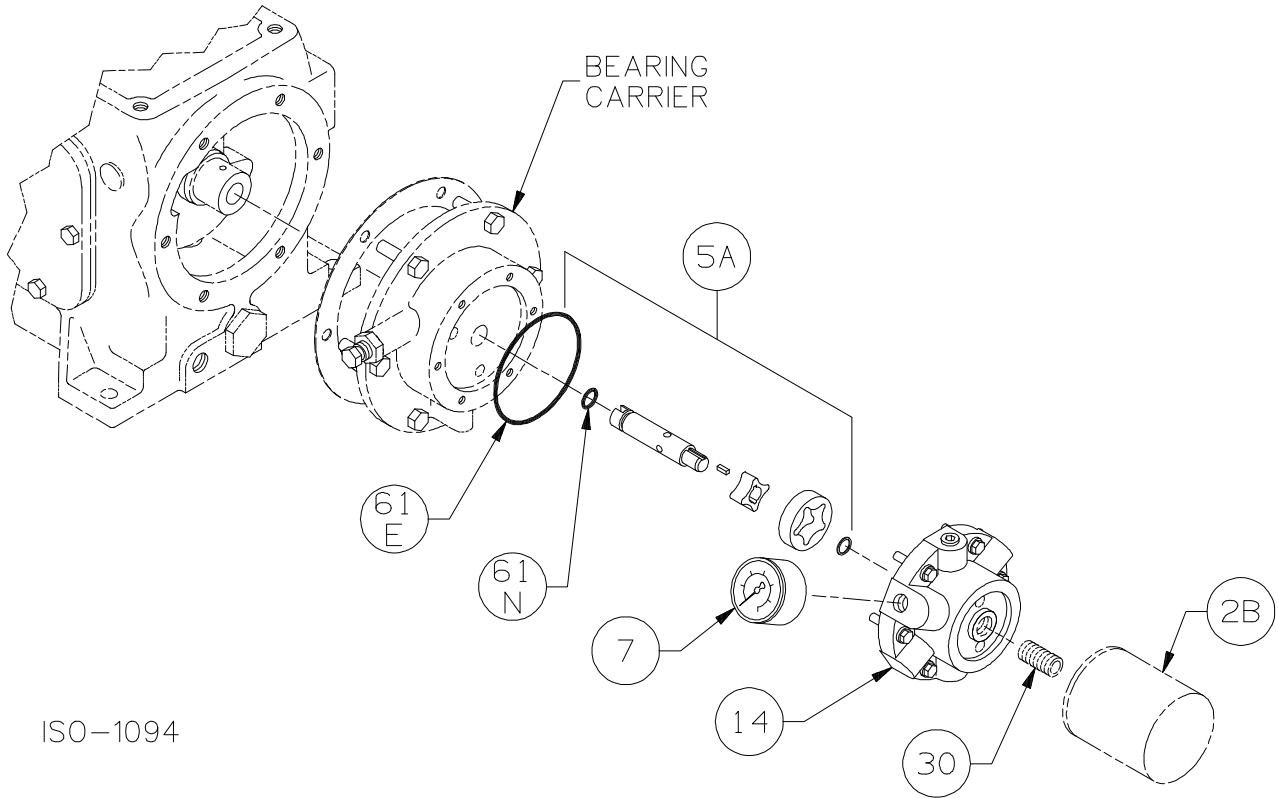
Gasket Set and Special Tools

| | |
|---------------------------------|--------|
| Gasket Set (Buna-N & Aluminum) | |
| LB362 and LB362A | 793599 |
| LB362B | 793598 |
| Packing Installation Tool | 790536 |
| Spanner Wrench, 1/4" Adjustable | 790316 |
| Tool Kit | 790199 |

Bulletins Needed For Complete Parts List

| | LB362 | LB362A | LB362B |
|-----------|--------|--------|--------|
| This page | 5E-040 | 5E-040 | 5E-040 |
| Crankcase | 5F-020 | 5F-020 | 5F-020 |
| Oil Pump | 5G-010 | 5G-010 | 5G-010 |
| Crosshead | 5J-001 | 5J-040 | 5J-040 |
| Cylinder | 5L-001 | 5L-001 | 5L-030 |
| Head | 5M-001 | 5M-001 | 5M-020 |

Notes:



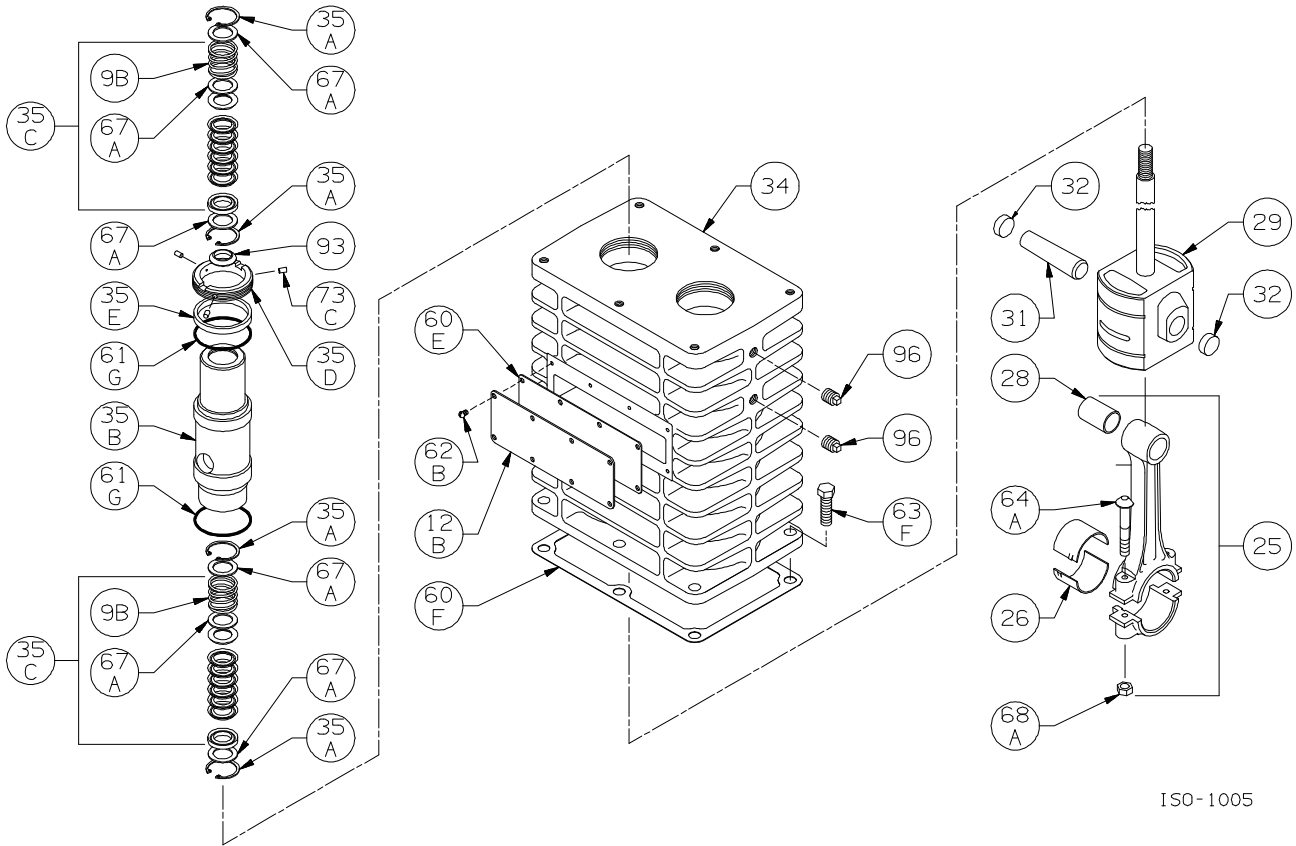
ISO-1094

Oil Pump Detail: Models LB161, LB162,
 LB361, LB361A, LB362, LB362A, LB362B
 LB601, LB601A, LB602, LB602A

S1094

| Ref | Description | Qty | Part No |
|-----|--|-----|------------------|
| 2B | Oil Filter (Package of 6) | 1 | 790004 |
| 5A | Oil Pump Kit (w/ 61E, 61N) LB161, LB162, LB361, LB361A, LB362, LB362A, LB362B LB601, LB601A, LB602, LB602A | 1 | 798855 798856 |
| 7 | Oil Pressure Gauge | 1 | 790012 |
| 14 | Oil Pump Cover Oil Pump Cover - For Filter | 1 | 792181 790001 |
| 30 | Oil Filter Fitting | 1 | 790002 |
| 61E | O-Ring - Oil Pump Cover * | 1 | 792186 |
| 61N | O-Ring - Oil Pump Shaft * | 1 | 792174 |

* Included in Gasket Sets



ISO-1005

Crosshead Assembly: LB362A, LB362B, LB362C

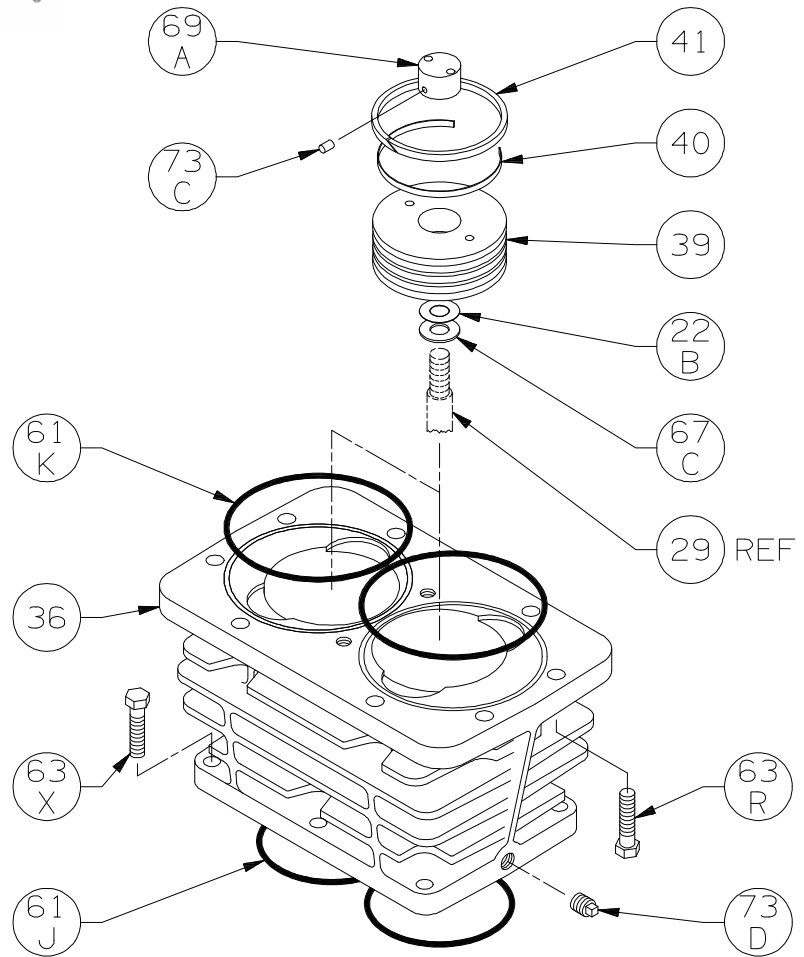
ISO1005

| Ref | Description | Qty | Part No |
|-----|-------------------------|-----|---------|
| 9B | Packing Spring | 4 | 792077 |
| 12B | Inspection Plate | 1 | 793093 |
| 25 | Connecting Rod Assembly | 2 | 793009 |
| 26 | Connecting Rod Bearing | 2 | 793002 |
| 28 | Wrist Pin Bushing ** | 2 | 793003 |
| 29 | Crosshead Assembly | 2 | 793429 |
| 31 | Wrist Pin | 2 | 793004 |
| 32 | Wrist Pin Plug | 4 | 792178 |
| 34 | Crosshead Guide | 1 | 793455 |
| 35A | Retainer Ring | 8 | 793404 |
| 35B | Packing Box | 2 | 793403 |
| 35C | Packing Set | 4 | 793499 |
| 35D | Hold-down Ring | 2 | 793220 |

| Ref | Description | Qty | Part No |
|-----|----------------------------------|-----|---------|
| 35E | Spacer Ring | 2 | 793402 |
| 60E | Gasket - Inspection Plate * | 1 | 793092 |
| 60F | Gasket - Crankcase * | 1 | 793121 |
| 61G | O-Ring (Buna-N) Std * | 4 | 792125 |
| 62B | Machine Screw - Inspection Plate | 8 | 793096 |
| 63F | Capscrew - Hex Hd | 6 | 793094 |
| 64A | Connecting Rod Bolt | 4 | 793006 |
| 67A | Washer - Packing Box | 12 | 792087 |
| 68A | Connecting Rod Bolt Nut | 4 | 793007 |
| 73C | Lock Plug * | 6 | 792030 |
| 93 | Oil Deflector Ring | 2 | 793478 |
| 96 | Pipe Plug | 4 | 793498 |

*Included in Gasket Sets

** Must be honed after installing



ISO-1003

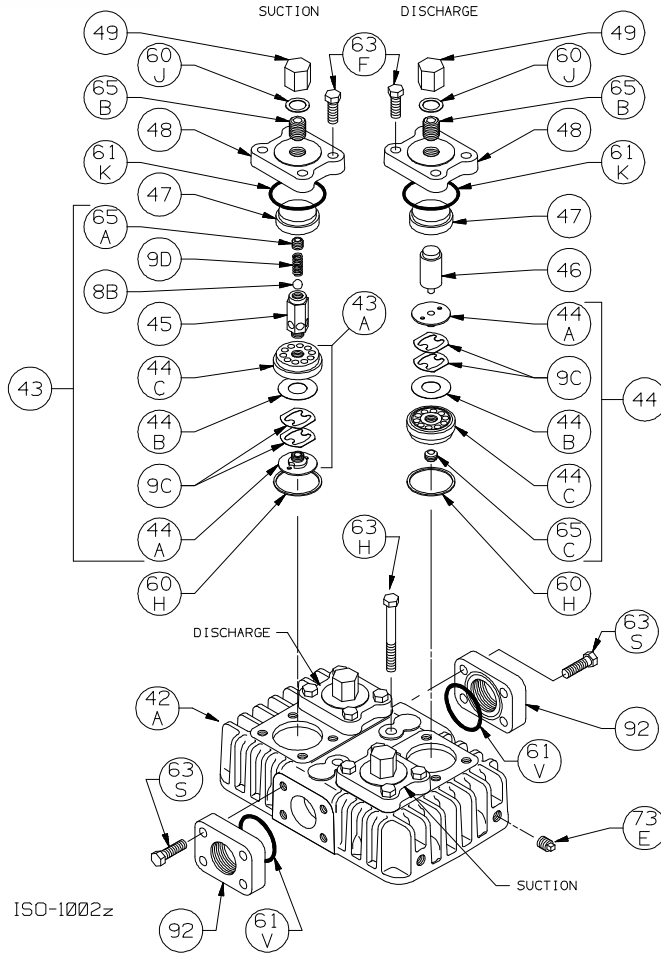
Cylinder Assembly:

Models LB361A, LB361B, LB362B, LB362C

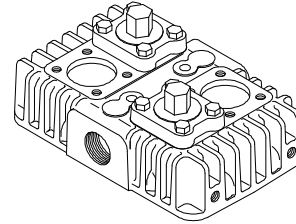
ISO1003

| Ref | Description | Qty | Part No |
|-----|---------------------|-----|---------|
| 22B | Piston Shim - 0.015 | AR | 792034 |
| | Piston Shim - 0.007 | AR | 792050 |
| 36 | Cylinder | 1 | 793045 |
| 39 | Piston | 2 | 793021 |
| 40 | Expander | 6 | 793012 |
| 41 | Piston Ring | 6 | 793008 |
| 61J | O-Ring * | 2 | 793177 |
| 61K | O-Ring * | 2 | 793641 |
| 63R | Capscrew - Hex Hd | 8 | 794097 |
| 63X | Capscrew - Hex Hd | 6 | 794096 |
| 67C | Thrust Washer | 2 | 792033 |
| 69A | Piston Nut | 2 | 793022 |
| 73C | Lock Plug * | 4 | 793028 |
| 73D | Pipe Plug | 1 | 793498 |

* Included in Gasket Sets



Head style used prior to January 1999. Replaced by the flanged head shown to the left.



Head Assembly: Models LB361A, LB361B, LB362B, LB362C

ISO1002

| Ref | Description | Qty | Part No |
|-----|----------------------------|-----|---------|
| 8B | Liquid Relief Valve Ball | 2 | 792042 |
| 9C | Valve Spring | 8 | 793038 |
| 9D | Liquid Relief Valve Spring | 2 | 792045 |
| 42A | Head ¹ | 1 | 793044 |
| 43 | Suction Valve Assembly | 2 | 793269 |
| 43A | Valve Sub-Assembly | 0 | 793259 |
| 44 | Discharge Valve Assembly | 2 | 793279 |
| 44A | Valve Bumper | 4 | 793235 |
| 44B | Valve Disc | 4 | 793037 |
| 44C | Valve Body | 4 | 793236 |
| 45 | Liquid Relief Valve Body | 2 | 793046 |
| 46 | Post | 2 | 793034 |
| 47 | Valve Spacer | 4 | 793061 |
| 48 | Valve Cover Plate | 4 | 793071 |
| 49 | Valve Cap | 4 | 793072 |
| 60H | Gasket - Valve * | 4 | 793107 |

| Ref | Description | Qty | Part No |
|-----|---------------------------|-----|---------|
| 60J | Gasket - Valve Cap * | 4 | 793108 |
| 61K | O-Ring * | 4 | 793114 |
| 61V | O-Ring * | 2 | 792125 |
| 63F | Capscrew - Hex Hd | 16 | 793094 |
| 63H | Capscrew - Hex Hd | 2 | 793115 |
| 63S | Capscrew - Hex Hd | 8 | 794096 |
| 65A | Liquid Relief Valve Screw | 2 | 793054 |
| 65B | Valve Holddown Screw | 4 | 794068 |
| 65C | Screw | 2 | 793234 |
| 73E | Pipe Plug | 2 | 793498 |
| 92 | Flange 1.25" NPT (Std.) | 2 | 793055 |
| | Flange 1.5" NPT (Opt.) | | 793057 |
| | Flange 1.25" Weld (Opt.) | | 793056 |
| | Flange 1.5" Weld (Opt.) | | 793058 |

* Included in Gasket Sets

¹ If replacing a threaded head, the flanged head, flanges, bolts and O-rings must be ordered instead.