



Suggested Spare Parts for LB601 and LB601A Compressors:

Part #	Description		Qty./ Unit	Comm. Qty.	Spare Qty.
794099	Gasket Set - Buna-N, Aluminum	T	1	1	1
794259	Suction Valve Sub-Assembly	T	2		2
794279	Discharge Valve	T	2		2
794024	Piston Ring	T	6	6	6
794025	Piston Ring Expander	T	6	6	6
794499	Packing Set	T	2	2	2
790004	Oil Filter (Package of 6)*		1		1
794004	Wrist Pin	I	2		2
793003	Wrist Pin Bushing	I	2	2	2
794002	Conrod Bearing	I	2	2	2

The following parts would normally be required only for major compressor overhaul.

794029	Crosshead Assembly	I	2		1
794130	Inboard Bearing Cone		1		1
793142	Outboard Bearing Cone		1		1
794131	Inboard Bearing Cup		1		1
793126	Outboard Bearing Cup		1		1
794009	Conrod Assembly		2		1
794159	Crankshaft Assembly with Bearing Cones		1		
794033	Bearing Adjustment Shim Kit		1		
798856	Oil Pump Repair Kit		1		
794103	Cylinder LB601A		1		
794101	Cylinder LB601				

The Following Spare Parts Kits Are Available

794229	Top End Kit (Includes 'T' Parts)
794230	Intermediate Kit (Includes 'T' and 'I' Parts)

* Optional Equipment on New Compressors



LB601 and LB601A PARTS LIST

Serial # _____

ID# _____

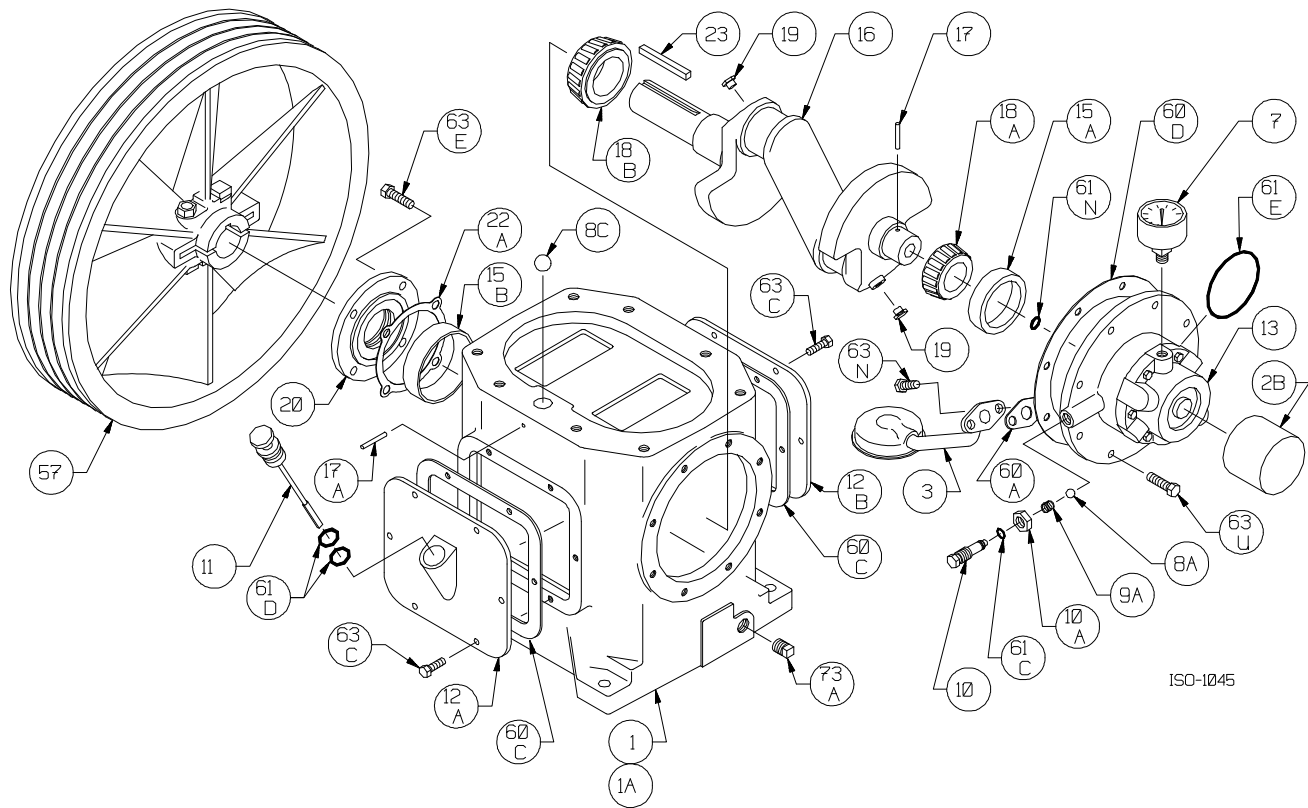
Gasket Set, Repair Kits and Special Tools

Gasket Set (Buna-N & Aluminum)	794099
Top End Repair Kit Includes Piston Rings & Expanders, Packing Sets, Valves, Gaskets & O-rings	794229
Intermediate Repair Kit Includes Top End Kit plus Wrist Pins & Bushings, Connecting Rod Bearings, and Crossheads.	794230
Packing Installation Tool	790538
Spanner Wrench, 1/4" Adjustable	790316
Tool Kit	790199

Bulletins Needed For Complete Parts List

	LB601	LB601A
This page	5E-050	5E-050
Crankcase	5F-030	5F-030
Oil Pump	5G-010	5G-010
Crosshead	5J-050	5J-050
Cylinder	5L-002	5L-040
Head	5M-002	5M-030

Notes:



ISO-1045

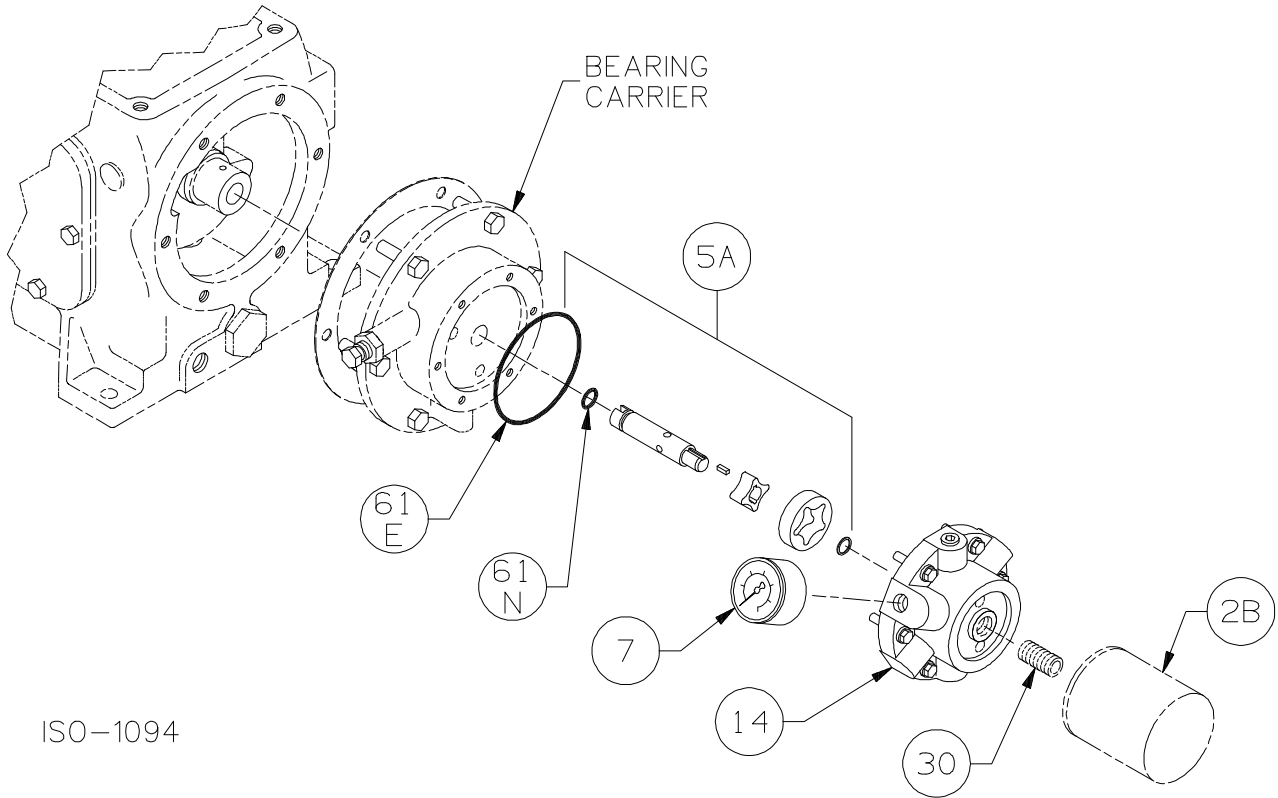
Crankcase Assembly: Models LB601, LB601A, LB602, LB602A

ISO1045

Ref	Description	Qty	Part No
1	Crankcase Assembly (less flywheel)	1	794119
1A	Crankcase	1	794138
2B	Oil Filter (Package of 6)	1	790004
3	Oil Strainer Assembly	1	794169
7	Oil Pressure Gauge	1	790012
8A	Oil Pressure Adjusting Ball	1	792154
8C	Breather Ball	1	794156
9A	Oil Pressure Adjusting Spring	1	792153
10	Oil Pressure Adjusting Screw	1	792148
10A	Locknut	1	792152
11	Oil Bayonet Assembly	1	794199
12A	Inspection Plate - Bayonet	1	794141
12B	Inspection Plate - Plain	1	794140
13	Bearing Carrier Assembly	1	794219
	Bearing Carrier Assy. with Oil Filter		794223
15A	Bearing Cup (Outboard)	1	793126
15B	Bearing Cup (Inboard)	1	794131
16	Crankshaft Assembly (w\ 18A,18B & 19)	1	794159
17	Oil Pump Drive Pin	1	794146
18A	Bearing Cone (Outboard)	1	793142

Ref	Description	Qty	Part No
18B	Bearing Cone (Inboard)	1	794130
19	Orifice	2	792146
20	Bearing Cover Plate	1	794137
22A	Bearing Adjustment Shim Kit	1	794033
23	Key	1	794166
57	Flywheel Assembly	1	794128
60A	Gasket - Oil Strainer Assembly *	1	794123
60C	Gasket - Inspection Plate *	2	794122
60D	Gasket - Bearing Carrier Assy. *	1	794124
61C	O-Ring - Adjusting Screw *	1	792168
61D	O-Ring - Oil Bayonet *	2	794163
61E	O-Ring - Oil Pump Cover *	1	792186
61N	O-Ring - Oil Pump Shaft *	1	792174
63C	Capscrew - Hex Hd	12	793116
63E	Capscrew - Hex Hd	4	793158
63N	Capscrew - Hex Hd	2	792093
63U	Capscrew - Hex Hd	8	792093
73A	Pipe Plug	1	790024

* Included in Gasket Sets



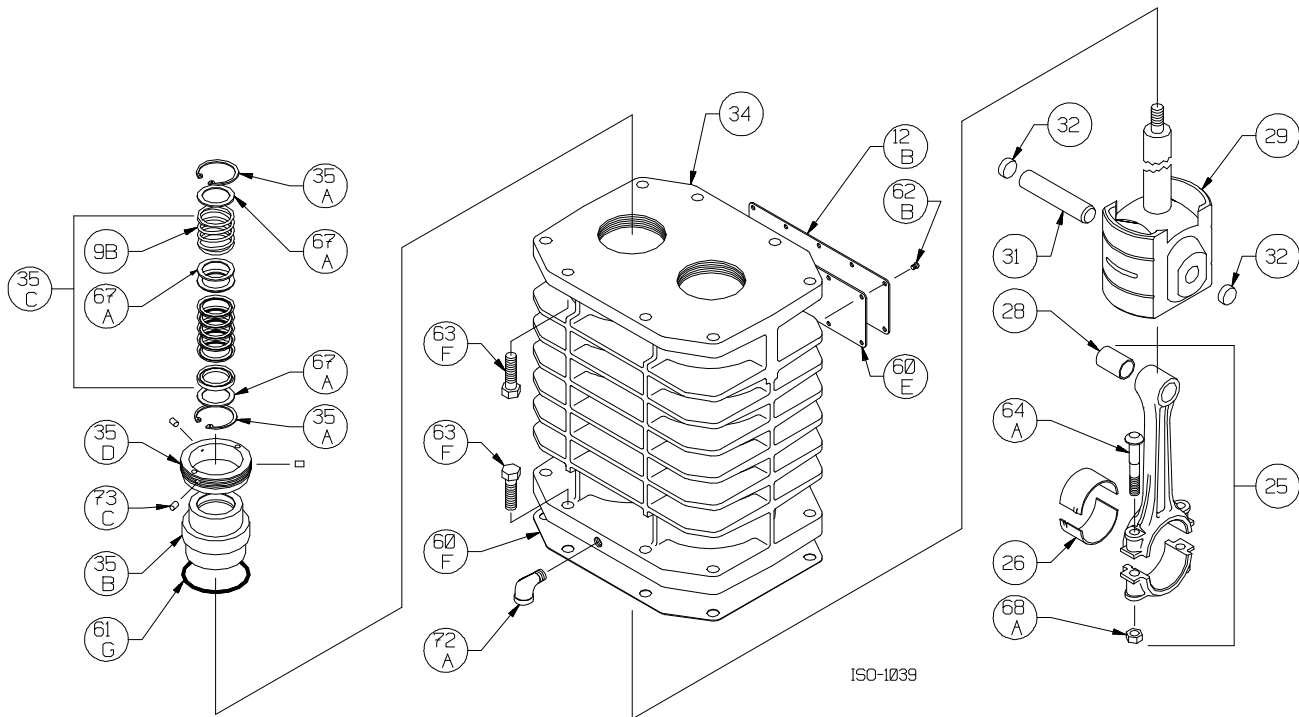
ISO-1094

Oil Pump Detail: Models LB161, LB162,
LB361, LB361A, LB362, LB362A, LB362B
LB601, LB601A, LB602, LB602A

S1094

Ref	Description	Qty	Part No
2B	Oil Filter (Package of 6)	1	790004
5A	Oil Pump Kit (w/ 61E, 61N)	1	798855
	LB161, LB162, LB361, LB361A, LB362, LB362A, LB362B	1	798856
	LB601, LB601A, LB602, LB602A	1	798856
7	Oil Pressure Gauge	1	790012
14	Oil Pump Cover	1	792181
	Oil Pump Cover - For Filter		790001
30	Oil Filter Fitting	1	790002
61E	O-Ring - Oil Pump Cover *	1	792186
61N	O-Ring - Oil Pump Shaft *	1	792174

* Included in Gasket Sets



Crosshead Assembly: LB601 and LB601A

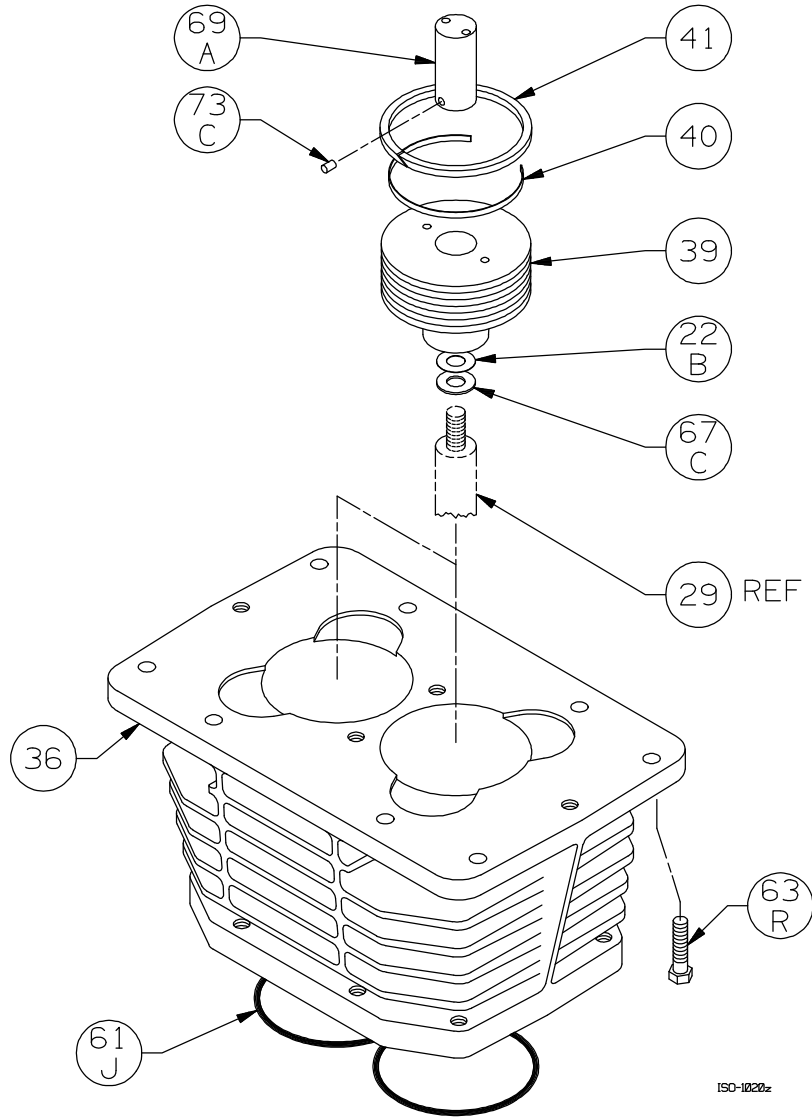
ISO1039

Ref	Description	Qty	Part No
9B	Packing Spring	2	794083
12B	Inspection Plate	1	794093
25	Connecting Rod Assembly	2	794009
26	Connecting Rod Bearing	2	794002
28	Wrist Pin Bushing **	2	793003
29	Crosshead Assembly	2	794029
31	Wrist Pin	2	794004
32	Wrist Pin Plug	4	792178
34	Crosshead Guide	1	794091
35A	Retainer Ring	4	794080
35B	Packing Box	2	794221
35C	Packing Set	2	794499

Ref	Description	Qty	Part No
35D	Hold-down Ring	2	794220
60E	Gasket - Inspection Plate *	1	794092
60F	Gasket - Crankcase *	1	794121
61G	O-Ring *	2	794082
62B	Machine Screw - Inspection Plate	10	793096
63F	Capscrew - Hex Hd	16	794094
64A	Connecting Rod Bolt	4	794012
67A	Washer - Packing Box	6	794084
68A	Connecting Rod Bolt Nut	4	794013
72A	Elbow - Vent	1	790453
73C	Lock Plug *	6	794028

*Included in Gasket Sets

** Must be honed after installing



ISO1020z

Cylinder Assembly: LB601

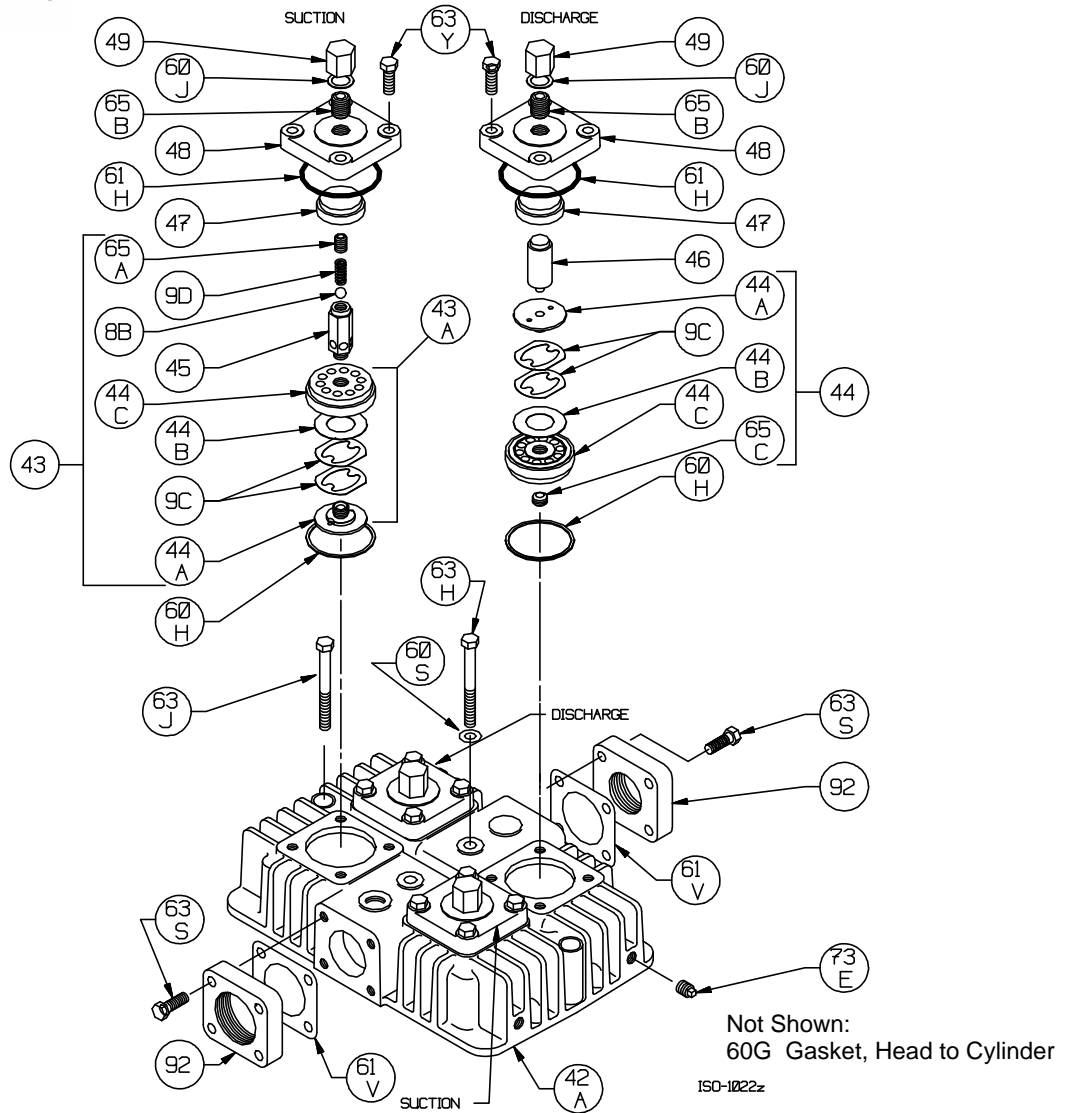
Ref	Description	Qty	Part No
22B	Piston Shim	AR	792034
36	Cylinder	1	794101
39	Piston	2	794021
40	Expander	6	794025
41	Piston Ring	6	794024
61J	O-Ring *	2	794126
63R	Capscrew - Hex Hd	8	794096
67C	Thrust Washer	2	792033
69A	Piston Nut	2	794022
73C	Lock Plug *	4	794028

* Included in Gasket Sets

Cylinder Assembly LB602

Ref	Description	Qty	Part No
22B	Piston Shim	AR	794434
36	Cylinder	1	794401
39	Piston	2	794421
40	Expander	6	794025
41	Piston Ring	6	794024
61J	O-Ring *	2	794426
63R	Capscrew - Hex Hd	8	794096
67C	Thrust Washer	2	794433
69A	Piston Nut	2	794422
73C	Lock Plug *	4	794222

* Included in Gasket Sets



Head Assembly: LB601, LB602

ISO1022z

Ref	Description	Qty	Part No
8B	Liquid Relief Valve Ball	2	792042
9C	Valve Spring	8	794038
9D	Liquid Relief Valve Spring	2	792045
42A	Head	1	794111
43	Suction Valve Assembly	2	794269
43A	Valve Sub-Assembly	—	794259
44	Discharge Valve Assembly	2	794279
44A	Valve Bumper	4	794235
44B	Valve Disc	4	794037
44C	Valve Body	4	794236
45	Liquid Relief Valve Body	2	794046
46	Post	2	794034
47	Valve Spacer	4	793061
48	Valve Cover Plate	4	794071
49	Valve Cap	4	793072
60G	Gasket, Head to Cylinder *	1	794112

Ref	Description	Qty	Part No
60H	Gasket - Valve *	4	794107
60J	Gasket - Valve Cap *	4	793108
60S	Gasket, Center Head Capscrew *	2	794113
61H	O-Ring *	4	792112
61V	Gasket, Flange *	2	794127
63H	Capscrew - Hex Hd	2	794115
63J	Capscrew - Hex Hd	2	793115
63S	Capscrew - Hex Hd	8	793094
63Y	Capscrew - Hex Hd	16	793094
65A	Liquid Relief Valve Screw	2	794014
65B	Valve Holddown Screw	4	794068
65C	Screw	2	794042
73E	Pipe Plug	2	793498
92	Flange-Inlet (2 NPT) Std	1	794117
	Flange-Outlet (1.5 NPT) Std	1	794116
	Flange (1.25 NPT)		794118

* Included in Gasket Sets