

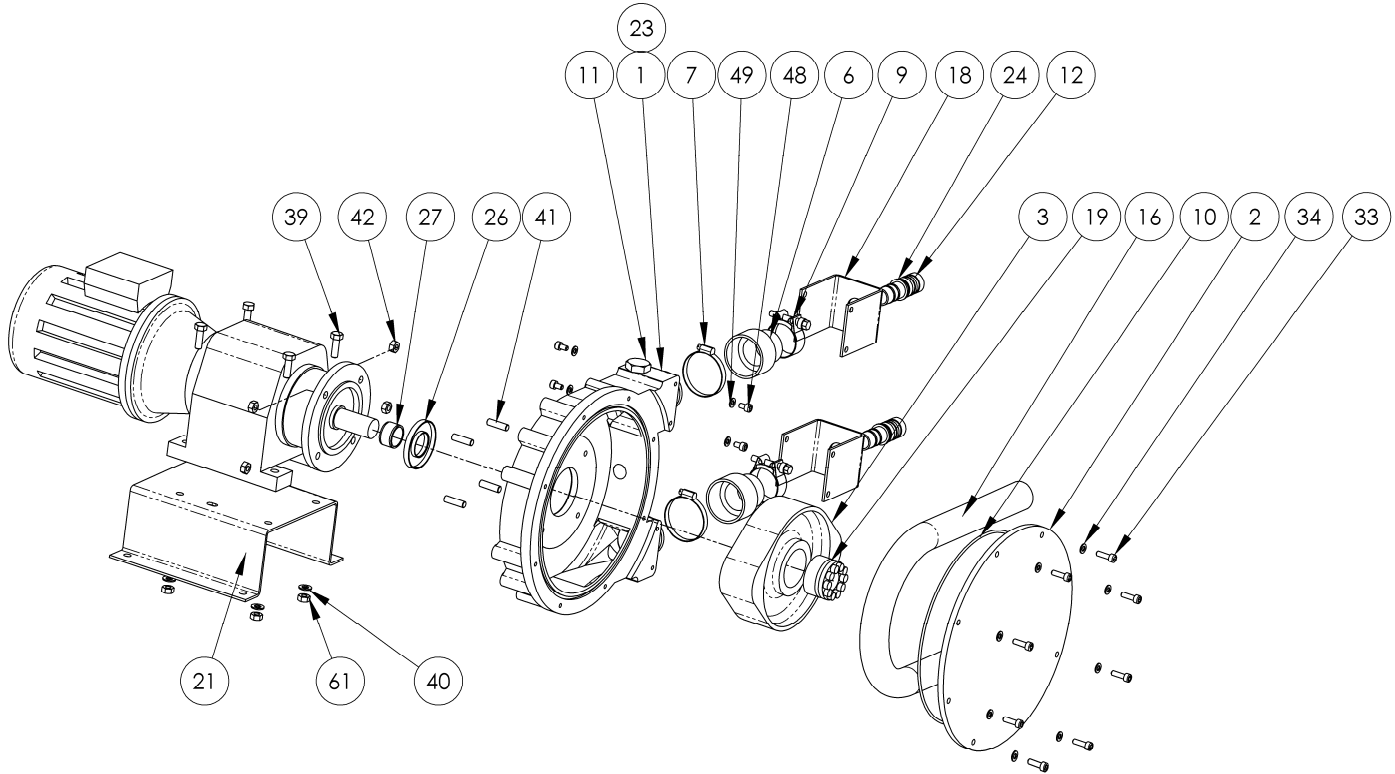
# BLACKMER PARTS LIST

## ABAQUE PUMP MODEL: AB20A

962511      **PARTS LIST**  
Page 1 of 1      **1103-A02**

Section	1103
Effective	June 2010
Replaces	May 2009

Keep with Instructions 1103-A00 for Installation, Operation and Maintenance



Ref. No.	Description	Parts per Pump	Part No.	Ref. No.	Description	Parts per Pump	Part No.
1	Pump Body 95/115/140	1	Y217282	18	Insert Bracket	2	Y217132
2	Cover	1	Y220207	19	Locking Assembly 25mm	1	Y217778
3	Rotor	1	Y217288	21	Base Plate Stainless Steel	1	Y217169
6	Hose Boot	2	Y217068	23	Plug	2	Y223664
7	Clamp Inboard	2	Y217079	24	Snap Ring	2	Y217445
9	Clamp Outboard	2	Y218652	26*	Lip Seal (25 mm dia. shaft)	1	Y220225
10*	O-Ring Front Cover	1	Y220199	27*	Seal Ring (25 mm dia. shaft)	1	Y219026
11	Vent Plug	1	Y217446	33	Cover Screw	8	Y215864
12*	Insert – Hose (SS316) (Std.)	2	Y217304	34	Washer	8	Y200169
	Insert – Hose (PPH)		Y217305	39	Frame Screw	4	Y200350
	Insert – Hose (PVDF)		Y217306	40	Washer	4	Y200171
14*	Lubricant <sup>1</sup>	17 fl oz	Note (1)	41	Stud	4	Y217235
16*	Hose – Natural Rubber (Std.)	1	Y218941	42	Nut	4	Y217033
	Hose – NBR (Buna)		Y218942	48	Insert Bracket Screw	8	Y217208
	Hose – EPDM		Y218943	49	Washer	8	Y200169
				61	Nut	4	Y217033

\* Recommended spare parts.

PPH = Polypropylene. EPDM = Ethylene Propylene Diene Monomer. PVDF = Polyvinylidene Fluoride

Note (1) – Lubricant Is offered in four sizes: 1 quart (AB1Q); 1 Gallon (AB1GL); 5 Gal. (AB5GL); and 55 Gal. (AB1D).



1809 Century Avenue, Grand Rapids, Michigan 49503-1530, U.S.A.  
Telephone: (616) 241-1611 / Fax: (616) 241-3752  
E-Mail: blackmer@blackmer.com / Internet: www.blackmer.com