

BLACKMER PARTS LIST

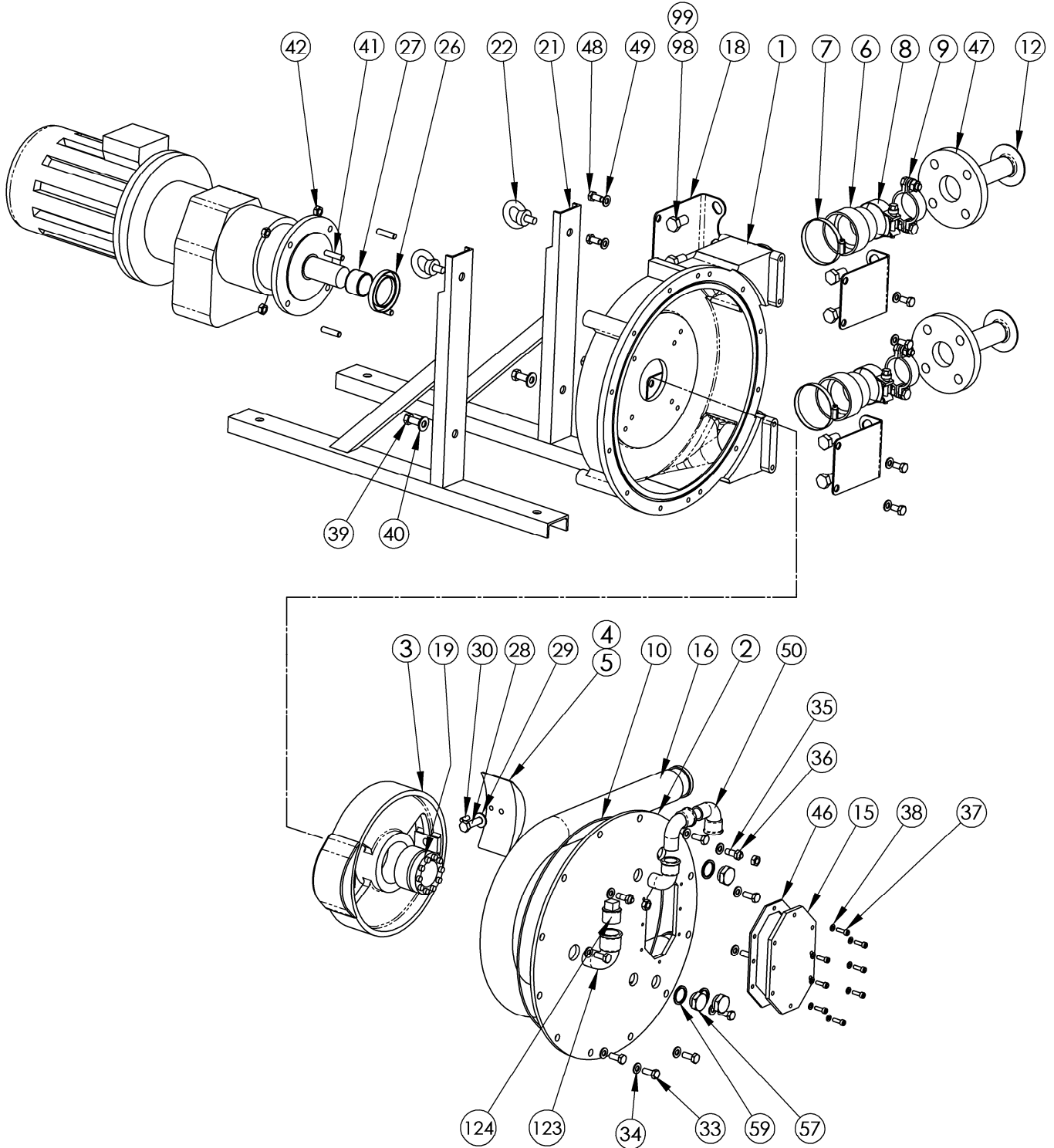
ABAQUE PUMP MODEL: AB40A

962513 **PARTS LIST**
 Page 1 of 2 **1103-B02**

Section	1103
Effective	May 2009
Replaces	Apr 2009

r2009dec

Keep with Instructions 1103-B00 for Installation, Operation and Maintenance)



See parts list on reverse side of page.

BLACKMER PARTS LIST
ABAQUE PUMP MODEL: AB40A

Ref. No.	Description	Parts per Pump	Part No.	Ref. No.	Description	Parts per Pump	Part No.
1	Pump Body 180/215/250	1	Y217270	28	Bolt for Shoe	2	Y200370
2	Cover	1	Y220193	29	Washer	2	Y217224
3	Wheel (40 mm)	1	Y218864	30	Pin	2	Y200104
4	Shims Set of Ten	Note (1)	Y312358	33	Cover Bolt	10	Y214384
5	Shoe - Aluminum	2	Y217062	34	Washer	12	Y213728
6	Hose Boot	2	Y217069	35	Stud	2	Y217404
7	Clamp Inboard	2	Y217050	36	Nut	2	Y217039
8	Clamp Middle	2	Y218830	37	Cap Screw	8	Y215864
9	Clamp Outboard	2	Y217086	38	Washer	8	Y200169
10*	O-Ring Front Cover	1	Y220201	39	Frame Screw	2	Y200368
12*	Insert – Hose (SS316) (Std.)	2	Y217310	40	Washer	2	Y200173
	Insert – Hose (PPH)		Y217311	41	Stud	4	Y217236
	Insert – Hose (PVDF)		Y217312	42	Nut	4	Y217039
14*	Lubricant ²	2.7 qt	Note (2)	46	Window Seal	1	Y217395
15	Window	1	Y220209	47	Flange – ANSI 150, 1.5"	2	Y218775
16*	Hose – Natural Rubber (Std.)	1	Y218727	48	Flange Bracket Screw	8	Y200357
	Hose – NBR (Buna)		Y218728	49	Washer	8	Y213728
	Hose – EPDM		Y218729	50	90° Bend	3	Y217043
18	Flange Bracket – ANSI 150	4	Y219096	57	Level Plug	3	Y224416
19	Locking Assembly 40 mm	1	Y218861	59	Washer	3	Y223159
21	Frame	2	Y217171	98	Cap Screw	4	Y205926
22	Eye Bolt	2	Y217337	99	Nut	4	Y200038
26*	Lip Seal (40 mm dia. shaft)	1	Y220191	123	Elbow	1	Y217433
27*	Seal Ring (40 mm)	1	Y219051	124	Plug	1	Y208457

* Recommended spare parts.

PPH = Polypropylene. EPDM = Ethylene Propylene Diene Monomer. PVDF = Polyvinylidene Fluoride

Note (1) – Refer to instructions 1103-M00 "Installing Blackmer Peristaltic Hoses" for proper shim quantity. Shim both shoes equally.

Note (2) – Lubricant is offered in four sizes: 1 quart (AB1Q); 1 Gallon (AB1GL); 5 Gallons (AB5GL); and 55 Gallons (AB1D).



1809 Century Avenue, Grand Rapids, Michigan 49503-1530, U.S.A.

Telephone: (616) 241-1611 / Fax: (616) 241-3752

E-Mail: blackmer@blackmer.com / Internet: www.blackmer.com

Parts List 1103-B02

Page 2 of 2