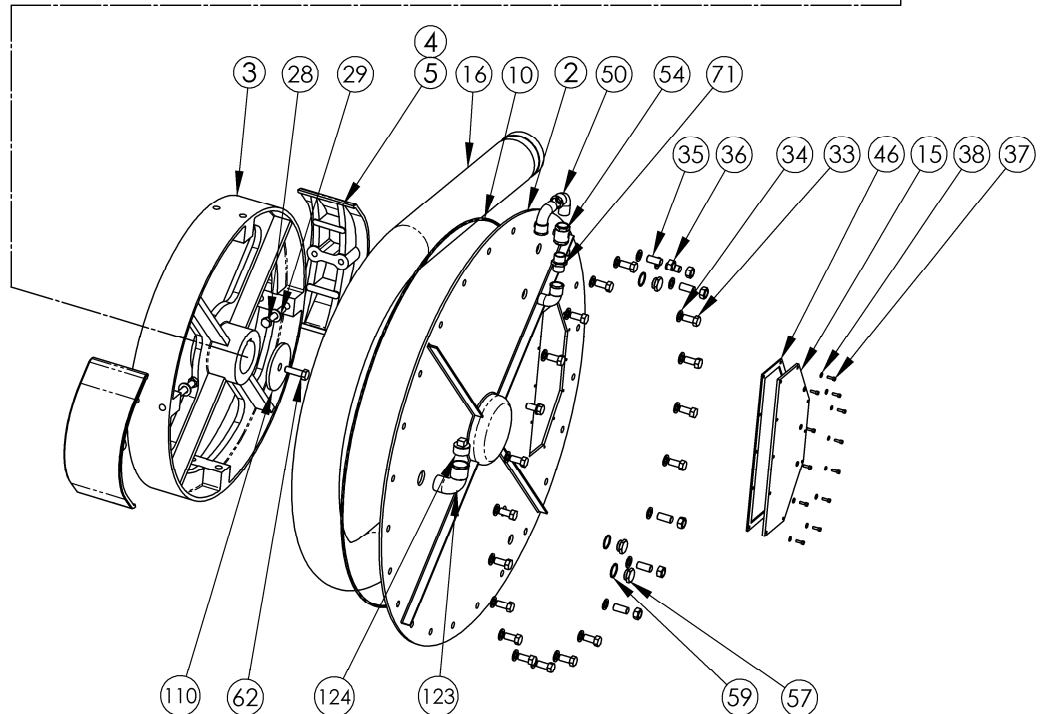
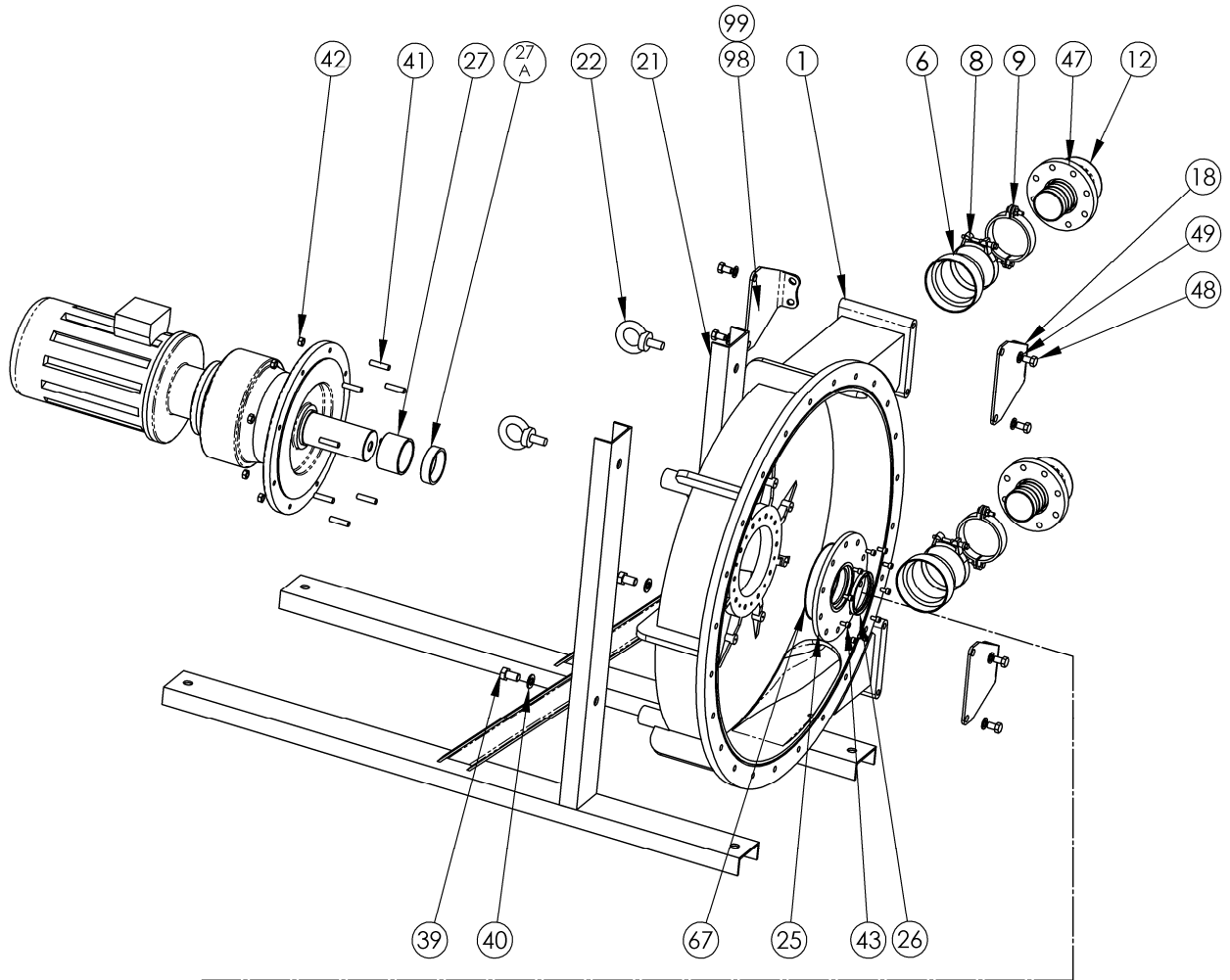


# BLACKMER PARTS LIST

## ABAQUE PUMP MODEL: AB100A

Keep with Instructions 1103-C00 for Installation, Operation and Maintenance

Section	1103
Effective	Apr 2010
Replaces	Dec 2009



See Parts Listing on reverse side of page.

## PARTS LIST: ABAQUE PUMP MODEL: AB100A

REF. NO.	PART NAME	PARTS PER PUMP	PART NO.	REF. NO.	PART NAME	PARTS PER PUMP	PART NO.
1	Pump Body 230/295/325 or 450/500/550	1	Y217279	34	Washer	24	Y217221
2	Cover	1	Y220196	35	Stud	6	Y217649
3	Wheel (100 mm)	1	Y217295	36	Nut	6	Y217230
4	Shim Set of 8	Note (1)	Y312363	37	Cap Screw	12	Y215864
5	Shoe - Cast Iron	2	Y217499	38	Washer	12	Y200169
6	Hose Boot	2	Y217076	39	Frame Screw	2	Y217211
8	Clamp	2	Y219023	40	Washer	2	Y212669
9	Clamp	2	Y219747	41	Stud	10	Y217650
10*	O-Ring	1	Y220204	42	Nut	10	Y217233
12*	Insert – Hose (SS316)	2	Y217331	43	Bolt	10	Y200414
	Insert – Hose (PPH)		Y217332	46	Window Seal	1	Y217400
	Insert – Hose (PVDF)		Y217333	47	Flange ANSI 150, 4"	2	Y219152
14*	Lubricant – Glycerine	16 Gal	Note (2)	48	Flange Bracket Screw	8	Y217214
15	Window	1	Y220212	49	Washer	8	Y217221
16*	Hose – Natural Rubber	1	Y218748	50	90° Bend	3	Y217433
	Hose – NBR (Buna)		Y218749	54	Valve	1	Y217684
	Hose – EPDM		Y218750	57	Level Plug	3	Y224415
18	Flange Bracket ANSI 150	4	Y219103	59	Washer	3	Y222479
21	Frame	2	Y217176	62	Bolt	1	Y219861
22	Eye Bolt	2	Y217340	67*	O-Ring	1	Y220223
25	Closure Plate (100 mm)		Y220294	71	Fitting	2	Y217435
26*	Shaft Seal (100 mm)	1	Y220222	98	Cap Screw	4	Y200330
27*	Seal Ring (100 mm)	1	Y219156	99	Nut	4	Y200039
27a	Shaft Spacer (100 mm)	1	Y220427	110	Washer	1	Y217651
28	Bolt for Shoe	4	Y217653	123	Elbow	1	Y217757
29	Washer	4	Y217226	124	Plug	1	Y212649
33	Cover Bolt	18	Y217202				

\* Recommended spare parts

PPH = Polypropylene EPDM = Ethylene Propylene Diene Monomer PVDF = Polyvinylidene Fluoride

Note (1) – Refer to instructions 1103-M00 "Installing Blackmer Peristaltic Hoses" for proper shim quantity. Shim both shoes equally.

Note (2) – Lubricant is offered in four sizes: 1 quart (AB1Q); 1 Gallon (AB1GL); 5 Gal. (AB5GL); and 55 Gal. (AB1D).



1809 Century Avenue, Grand Rapids, Michigan 49503-1530, U.S.A.  
 Telephone: (616) 241-1611 / Fax: (616) 241-3752  
 E-Mail: blackmer@blackmer.com / Internet: www.blackmer.com

Parts List 1103-C03  
 Page 2 of 2