

MISTRAL 700 packages

SCREW COMPRESSORS PULLEY DRIVEN PACKAGES

The specialist for the delivery of free flowing and normal flowing bulk products at flow up to 720 m³/h with 1 bar absolute discharge pressure.

Mistral packages are oil free, low maintenance, easy to mount pulley driven solutions for bulk (plastic, cement, sugar, sand, flour, ...) deliveries.

MISTRAL 700 IC

The cool air solution !



Easy to change inlet filter

Dual speed fan to obtain high air temperature for trailer cleaning operations

MISTRAL 700

The low cost solution !



The packages may have the following pulley ratio : 1:1,0 / 1: 1,12 / 1:1,25 / 1: 1,40

The packages may be mounted on the right side of a truck, and be driven by right or left PTO (special configuration available for 6*2 trucks, please contact us).

MISTRAL

MISTRAL 700 IC

Package construction:

Compressor
 Alu-suction silencer
 Alu-suction filter
 Alu-silencer with check- and relief valve
 Alu-intercooler with instruments
 Alu-cover
 Coated steel-holder
 Alu-compact bearing with manual tension
 Pulleys and belts
 A version with noise cover and without cooling also exist: Mistral 700 cover

Technical Data:

| | | | |
|--------------------|-------------------|-----------|-----------|
| Discharge pressure | bar | 2,0 | 2,5 |
| Compressor speed | Rpm | 1200-2000 | 1600-2000 |
| Air flow range | m ³ /h | 365-655 | 465-625 |
| Power range | kW | 26-45 | 41-52 |

Dimensions

| | | |
|-----------------------|----|---------|
| Width | mm | 685 |
| Length to truck frame | mm | 680 |
| Over all length | mm | 880 |
| Height | mm | 645 |
| Weight | kg | ca. 275 |

MISTRAL 700

Package construction:

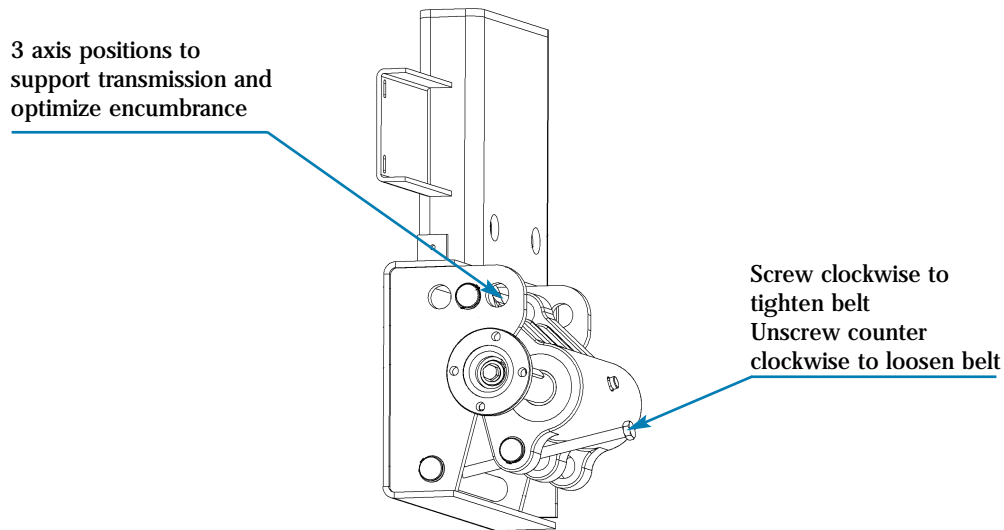
Compressor
 Alu-suction pipe silences
 Alu-suction filter
 Alu-silencer with check- and relief valve
 Coated steel-holder
 Alu-compact bearing with manual tension
 Pulleys and belts

Technical Data:

| | | | |
|--------------------|-------------------|-----------|-----------|
| Discharge pressure | bar | 2,0 | 2,5 |
| Compressor speed | Rpm | 1200-2000 | 1600-2000 |
| Air flow range | m ³ /h | 365-655 | 465-625 |
| Power range | kW | 26-45 | 41-52 |

Dimensions

| | | |
|-----------------------|----|--------|
| Width | mm | 685 |
| Length to truck frame | mm | 680 |
| Over all length | mm | 880 |
| Height | mm | 645 |
| Weight | kg | Ca 250 |



Distributed by

blackmer[®]

PEOPLE PROVIDING FLOW TECHNOLOGY WORLDWIDE™ A DOVER COMPANY

www.blackmer.com

ZI Plaine des Isles, rue des Caillottes, 89000 Auxerre, France • Telephone: 33.3.86.49.86.30 • Fax: 33.3.86.46.42.10
 contact@blackmer-mouvex.com

Auf dem Zehnöhöbel 22, D - 64572 Büttelborn-Worfelden, Germany • Telefon: +49(0) 6152 9869-0 • Fax: +49(0) 6152 9869-10
 E-mail: willkommen@blackmer-mouvex.com

1809 Century Avenue, Grand Rapids, MI 49503-1530 U.S.A. • Telephone: 616.241.1611 • Fax: 616.241.3752

© 2002 Blackmer