

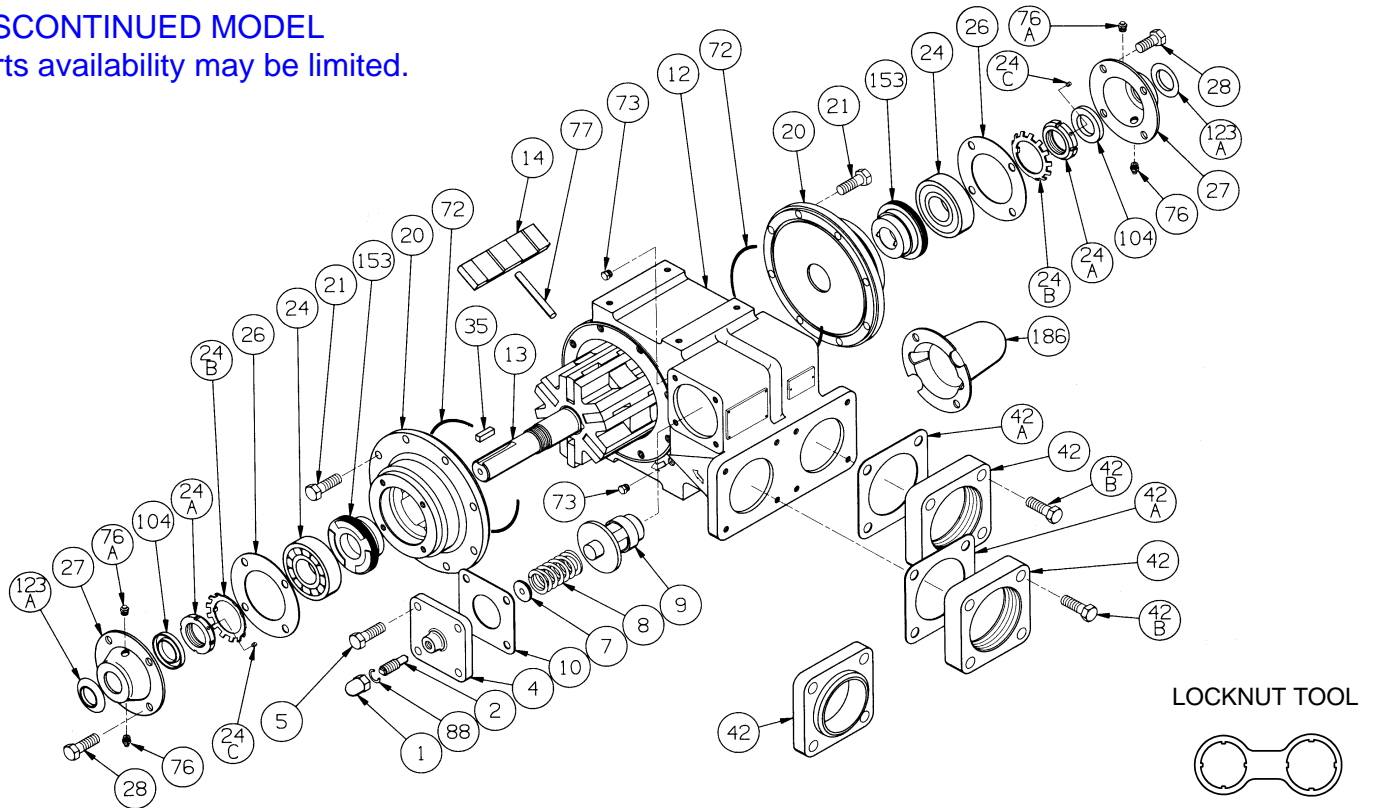
BLACKMER PARTS LIST

PUMP MODEL: TXH3A

(See Instructions 285/H for Installation, Operation and Maintenance)

Section	201
Effective	June 2002
Replaces	285/H9 June 1993

DISCONTINUED MODEL
Parts availability may be limited.



Ref. No.	Description	Parts per Pump	Part No.	Ref. No.	Description	Parts per Pump	Part No.
1	Cap – Relief Valve (R/V)	1	411452	24B	Lockwasher	2	903522
2	Adjusting Screw – Relief Valve	1	431401	24C	Setscrew – Locknut (in 24A)	2	922053
4	Cover – Relief Valve	1	411607	26	Gasket – Bearing Cover	2	383940
5	Capscrew – R/V Cover (M10 x 25)	4	920199	27	Bearing Cover	2	041431
7	Spring Guide – Relief Valve	1	423955	28	Capscrew – Bearing Cover (M10 x 16)	8	920127
8	Spring – Valve (41- 50 psi)	1	471608	35	Key – Shaft	1	909104
	Spring – Valve (51 –75 psi)		471631	42	Flange – 3" NPT	2	651803
	Spring – Valve (76-125 psi)(Std.)		471614		Flange – 3" Weld		655106
	SS Spring – Valve (41- 50 psi)		471610	42A	Gasket – Flange	2	381811
	SS Spring – Valve (51 –75 psi)*		471632	42B	Capscrew – NPT Flange (M12 x 45)	8	920236
	SS Spring – Valve (76-125 psi)*		471615		Capscrew – Weld Flange (M12 x 40)		920234
9	Relief Valve (Std.)	1	451623	72	O-Ring – Head (Buna-N) (Std.)	2	701947
	Relief Valve (Nickel Plated)		451624		O-Ring – Head (FKM)		701914
10	Gasket – R/V Cover	1	531603	73	Gage Plug	2	908198
12	Cylinder – Pump	1	021814	76	Grease Fitting	2	317815
13	Rotor & Shaft Assembly, w/24A, 24B	1	261834	76A	Grease Relief Fitting	2	701992
14	Vane – Duravane (Std.)	6	091619	77	Push Rod - Vane	3	121806
	Vane – Laminate		091627	88	Gasket – Relief Valve Cap	1	701981
20	Head	2	031802	104	Grease Seal	2	331918
21	Capscrew – Head (M10 x 25)	16	920199	123A	Dirt Shield	2	701480
24	Ball Bearing	2	903162	186	Shaft Protector	1	341601
24A	Locknut Assembly w/setscrew (24C)	2	903511		Tool - Locknut		903091
					Air Valve Kit		891799

Keep this parts list with Installation, Operation and Maintenance Instructions.

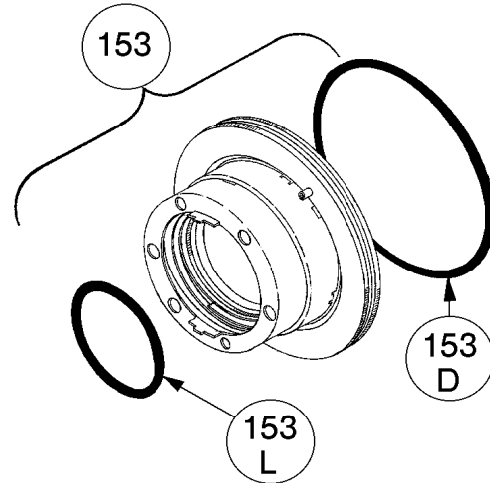
If uncertain of the proper mechanical seal for your application, contact a local Blackmer Distributor.

MECHANICAL SEAL – STANDARD

Ref. No.	Part Name	Parts Per Pump	Part No.
153	Mechanical Seal Complete – Cast Iron Stationary Seat, Carbon Seal Face, Buna-N O-Rings	2	331601
153D	O-Ring – Stationary (Buna-N)	2	701934
153L	O-Ring – Rotating (Buna-N)	2	711922

MECHANICAL SEAL - OPTIONAL

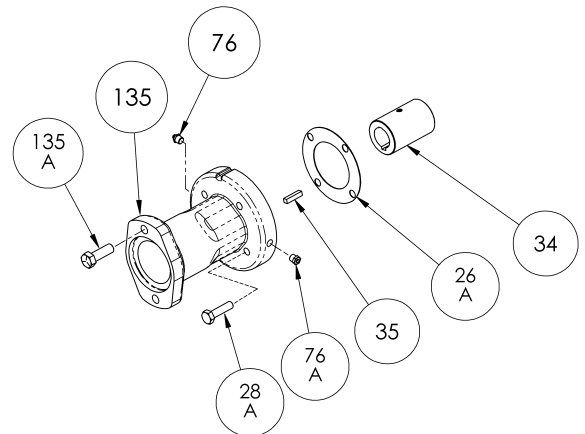
Ref. No.	Part Name	Parts Per Pump	Part No.
153	Mechanical Seal Complete – Cast Iron Stationary Seat, Buna-N O-Ring, Carbon Seal Face with PTFE Seal Ring (See Note 1)	2	331602
	Mechanical Seal Complete – Stainless Steel Stationary Seat, Buna-N O-Ring, Carbon Seal Face with PTFE Seal Ring (See Note 2)		331650
	Mechanical Seal Complete – Stainless Steel Stationary Seat, Carbon Seal Face, FKM O-Rings (See Note 3)		331654
	Mechanical Seal Complete – Cast Iron Stationary Seat, Carbon Seal Face, FKM O-Rings (See Note 3)		331655
153D	O-Ring – Stationary (Buna-N)	2	701934
	O-Ring – Stationary (FKM)		701921
153L	O-Ring – Rotating (FKM)	2	701980



- Standard Solvent construction.
PTFE seal ring is not available as a separate part.
- Chlorinated Solvents
PTFE seal ring is not available as a separate part.
- Fluorocarbon (FKM) O-rings are not recommended for ketones and esters.

OPTIONAL HYDRAULIC MOTOR ADAPTER PARTS

Ref. No.	Part Name	Parts Per Pump	PART NO.
See Below	Hydraulic Motor Adapter Kit TXH3A	See Below	894426
26A	Gasket- Hydraulic Motor Adapter	1	383940
28A	Capscrew – Hydraulic Motor Adapter / Head	6	924037
34	Coupling w/ Setscrew	1	906968
35	Key – Coupling	1	909178
76	Grease Fitting	1	317815
76A	Grease Relief Fitting	1	701992
135	Hydraulic Motor Adapter	1	041827
135A	Capscrew – Adapter / Motor	2	920510



1809 Century Avenue, Grand Rapids, Michigan 49503-1530, U.S.A.
 Telephone: (616) 241-1611 / Fax: (616) 241-3752
 E-Mail: blackmer@blackmer.com / Internet: www.blackmer.com