

BLACKMER PARTS LIST

PUMP MODEL: DMX III

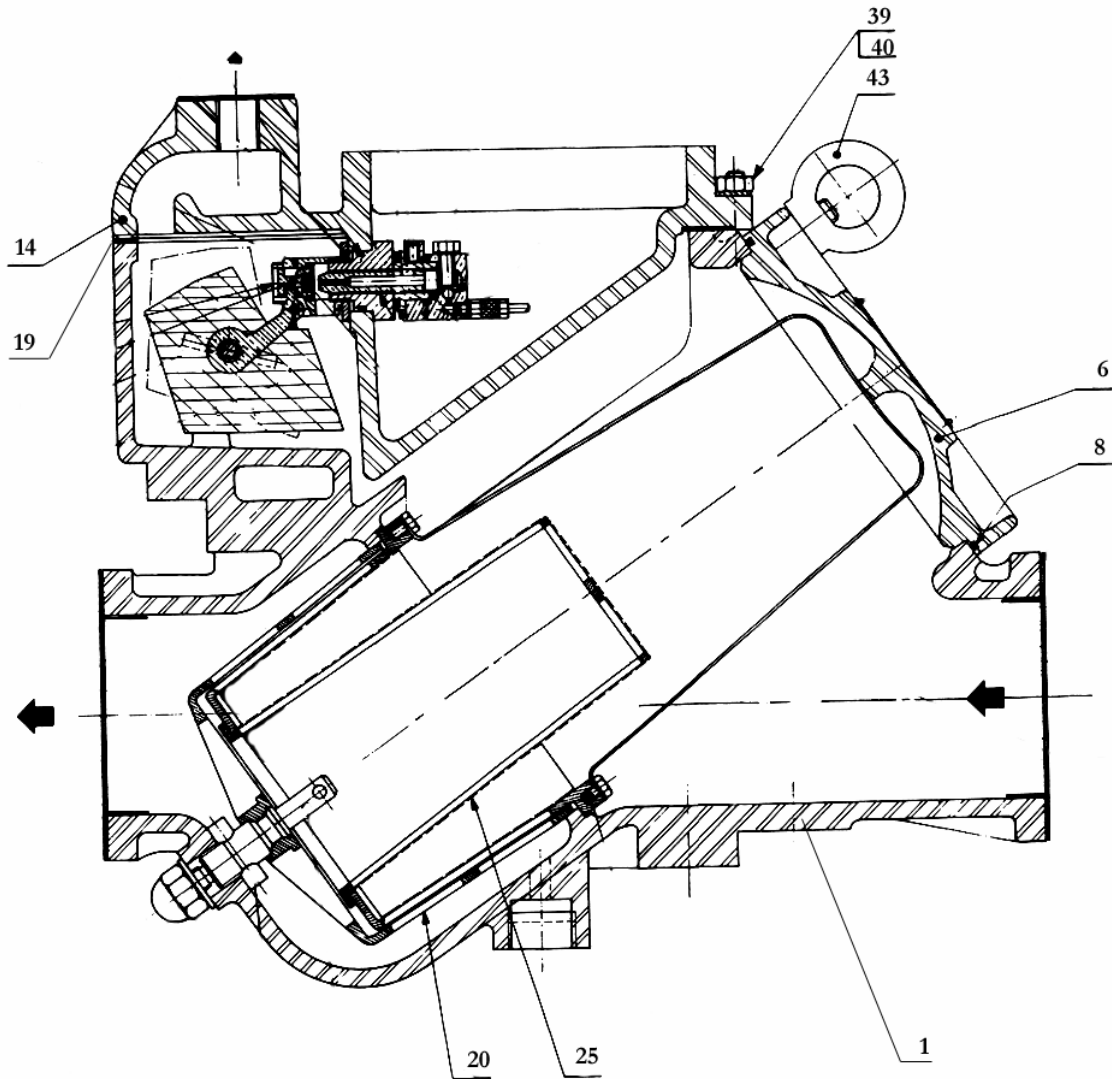
964605
Page 1 of 2

PARTS LIST
201B-A01

Section 201B
Effective Sept. 2003
Replaces June 2000

(See Instructions 201B-A00 for Installation, Operation and Maintenance)

Discontinued Model: parts availability may be limited.



Ref. No.	Description	Parts Per	Part No.
1	DMX Body – Complete	1	Y311832
6	Strainer Cover – Complete	1	Y304749
8	O-Ring – Strainer Cover	1	Y200786
14	Float Cover Assembly – Complete	1	Y311783
19	Main Float Cover Gasket	1	Y208884
20	Permanent Strainer Assembly – 10 mesh	1	Y302232
25	Removeable Strainer Assembly – 20 mesh	1	Y304750
39	Cover Hex Nut	2	Y200035
40	Washer	2	Y200226
43	Strainer Cover Nut	2	Y210997
Not Shown	Capscrews – Main Float Cover	2	Y200398

IMPORTANT NOTE: This parts list should be kept with DMX Installation, Operation and Maintenance Instructions.

DRY VALVE & COVER ASSEMBLY

REF. NO.	PART NAME	PARTS PER	PART NO.	REF. NO.	PART NAME	PARTS PER	PART NO.
60	Pneumatic Cover Assembly	1	Y312158	542	Vent Cap	1	Y211144
62	Capscrews – Cover	4	Y200402	543	Vent Cap Seat	1	Y218214
66	Pneumatic Cover Gasket	1	Y218182	544	Gasket	1	Y201461
501	Dry Valve External Body Assembly	1	Y311834	551	O-Ring	1	Y200854
505	Gasket	2	Y200606	552	Nut	2	Y200033
506	Capscrew – Drain	2	Y204140	553	Bolt – Hex Head	1	Y218212
509	O-Ring	1	Y200772	554	O-Ring	1	Y200791
180	Dry Valve Assembly – Complete	1	Y311833	557	Washer	2	Y200194
510	Dry Valve Float	1	Y309801	610	PTFE Ball (Ref. No. 610 & 523)	1	Y218456
521	O-ring	1	701919	620	Return Pipe w/ PTFE Ball – Side	1	Y309806
550	Air Valve Assy with Dry Valve Seat and PTFE Ball	1	Y312024	--	Return Pipe – In-line Mount	1	Y312077
530	Security Valve Float	1	Y309803	560	O-Ring/Gasket Kit – Dry Valve	1	Y309805

