

# BLACKMER PARTS LIST

DISCONTINUED MODEL

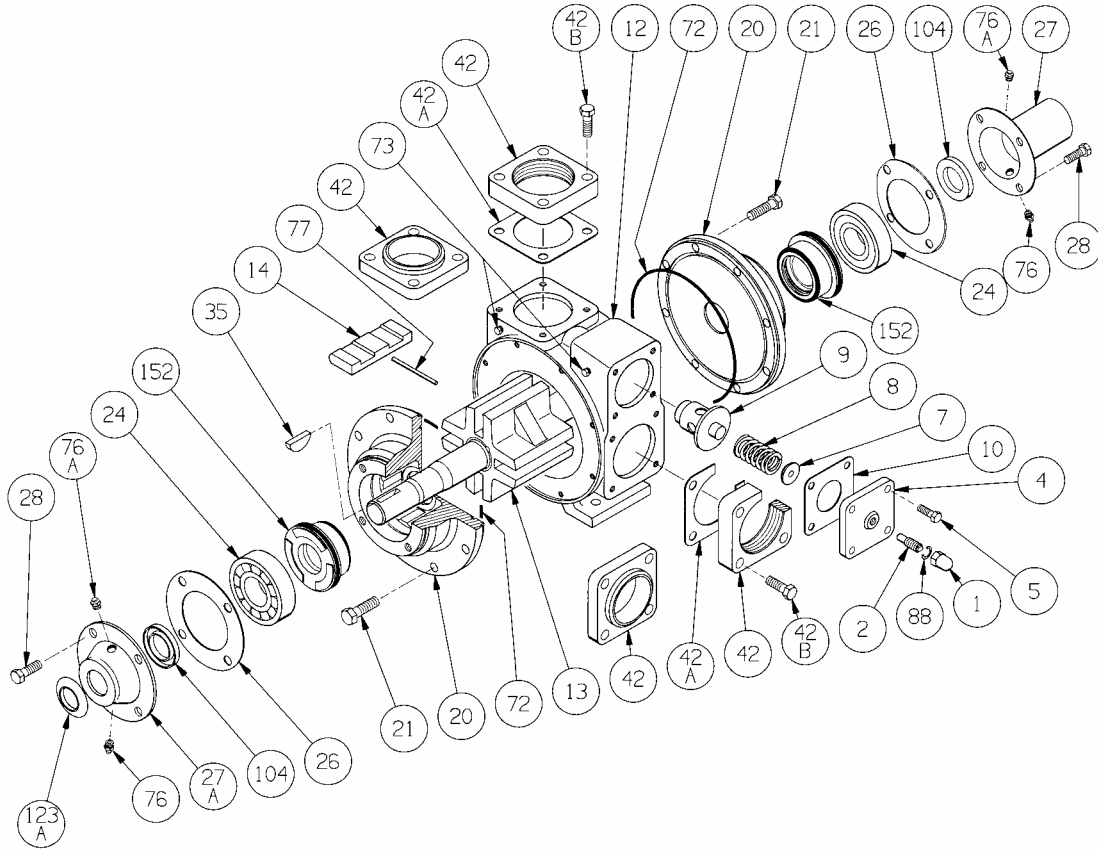
## PUMP MODEL: TXV2A, TXV2B

(See Instructions 202-A00 for Installation, Operation and Maintenance)

961414  
Page 1 of 2

**PARTS LIST**  
**202-A01**

Section	200
Effective	March 2000
Replaces	285/C15 Dec 95



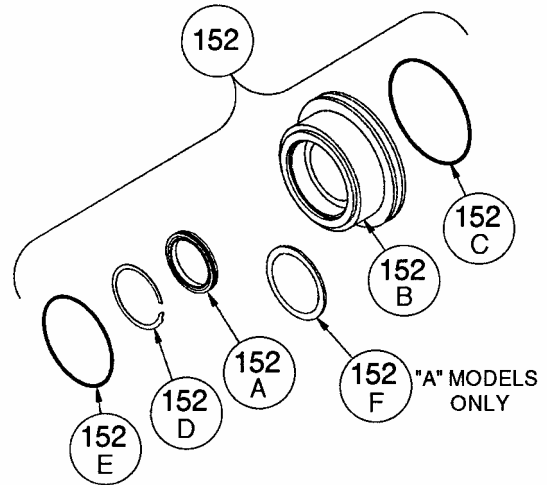
Ref. No.	Description	Parts Per Pump	Part No.	Ref. No.	Description	Parts Per Pump	Part No.
1	Cap – Relief Valve (R/V)	1	411452	21	Capscrews – Head	16	920331
2	Adjusting Screw – R/V	1	431401	24	Ball Bearing	2	903156
4	Cover – R/V	1	411401	26	Gasket – Bearing Cover	2	381406
5	Capscrew – R/V Cover	4	920316	27	Bearing Cover – Outboard	1	341600
7	Spring Guide – R/V	1	423955	27A	Bearing Cover – Inboard	1	041431
8	Spring – R/V (51-75 psi)	1	471420	28	Capscrews – Bearing Cover	8	920285
	Spring – R/V (76-110 psi) (Std.)		471425	35	Key – Shaft	1	909130
	Spring – R/V (111-125 psi)		471428	42	Flange – 2" NPT (Std.)	2	651411
	SS Spring – R/V (51-75 psi) <sup>1</sup>		471418		Flange – 2" Weld		654405
	SS Spring – R/V (76-110 psi) <sup>1</sup>		471427	42A	Gasket – Flange	2	381421
	SS Spring – R/V (111-125 psi) <sup>1</sup>		471429	42B	Capscrew – Flange	8	920351
9	Valve – R/V (Std.)	1	451417	72	O-Ring – Head (FKM) (Std.)	2	701914
	Valve – R/V (Nickel Plated)		451415		O-Ring – Head (PTFE)		702242
10	Gasket – R/V Cover	1	531421	73	Gage Plug	2	908198
12	Cylinder	1	021403	76	Grease Fitting	2	317815
13A	Rotor & Shaft – Double Ended	1	261424	76A	Grease Relief Fitting	2	701992
14	Vane – Bronze (Std.)	4	093924	77	Push Rod	2	123905
	Vane – Cast Iron		093923	88	Gasket – R/V Cap	1	701981
	Vane – Duravane		091419	104	Grease Seal	2	331918
	Vane – Laminate		091429	123A	Dirt Shield	2	701480
20	Head (Std.)	2	031425	152	Lip Seal Assembly	2	See Backside
	Head with Drain (Optional)		031426		Hydraulic Motor Adapter Kit		See Backside

<sup>1</sup> Stainless Steel Spring. Keep with Installation, Operation and Maintenance Instructions.

**PARTS LIST NO. 202-A01**

**LIP SEAL - STANDARD**

REF. NO.	PART NAME	PARTS PER PUMP	TXV2.5B PART NO.	TXV2 1/2 A PART NO.
152	Lip Seal Complete - Lip Seal, Housing w/ FKM O-Ring. (Std.)	2	331683	331671
	Lip Seal Complete - Lip Seal, Housing w/ PTFE O-Ring.		331684	331669
152A	Lip Seal w/ FKM O-Ring	2	331685	331662
	Lip Seal w/ PTFE O-Ring		331686	331668
152B	Housing – Lip Seal	2	331472	331472
152C	Outer O-Ring - Housing (FKM)	2	701921	701921
	Outer O-Ring - Housing (PTFE)		702056	702056
152D	Retaining Ring - Lip Seal	2	903562	903562
152E	Inner O-Ring - Housing (FKM)	2	702038	702038
	Inner O-Ring - Housing (PTFE)		702234	702234
152F	Spacer Washers*	0 - 10	NONE	331670

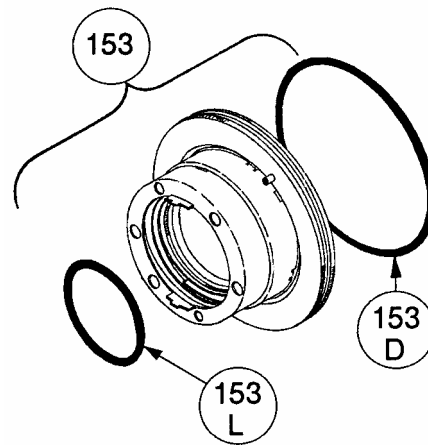


\* Spacer washers (152F) are used for TXV2A models only.

**MECHANICAL SEAL - OPTIONAL**

REF. NO.	PART NAME	PARTS PER PUMP	PART NO.
153	Mechanical Seal Complete - Cast Iron Stationary Seat, Carbon Seal Face, FKM O-Rings.	2	331655
	Mechanical Seal Complete - Cast Iron Stationary Seat, PTFE O-Ring, Carbon Seal Face w/ PTFE Seal Ring.		331673
153D	O-Ring – Stationary (FKM)	2	701921
	O-Ring – Stationary (PTFE)		702056
153L	O-Ring – Rotating (FKM)	2	701980
	Seal Ring – Rotating (PTFE)		**

\*\* PTFE Rotating Seal Ring is not available as a separate part.



**OPTIONAL HYDRAULIC MOTOR ADAPTER PARTS**

REF. NO.	PART NAME	PARTS PER PUMP	PART NO.
See Below	<b>Hydraulic Motor Adapter Kit</b>	See Below	891400
26	Gasket - Bearing Cover	1	381817
26A	Gasket - Bearing Cover	1	383940
27B	Bearing Cover/Spacer	1	831400
28A	Capscrew - Bearing Cover/Head	4	920408
34	Coupling	1	906926
34A	Setscrew - Coupling	1	922075
35	Key - Coupling	1	909184
76	Grease Fitting	2	317815
76A	Grease Relief Fitting	2	701992
104	Grease Seal	1	331918
135	Hydraulic Motor Adapter	1	041803
135A	Capscrew - Adapter/Motor	2 - 4	920510
135B	Capscrew - Adapter/Bearing Cover	6	920331

