

# BLACKMER PUMP PARTS LIST

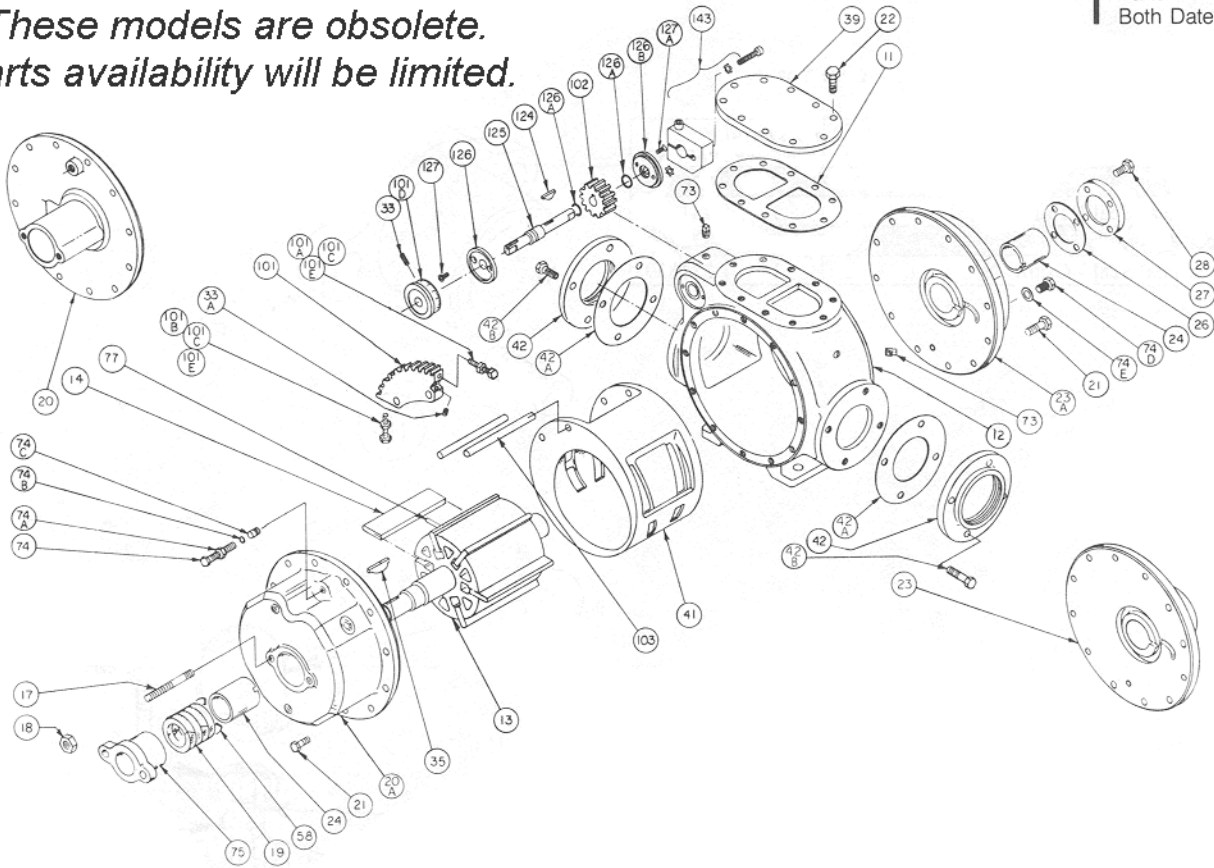
## MODELS: VNP3, VNPJ3

(For Operation and Maintenance Instructions, See Page 685/B)

960507  
PARTS LIST NO. 685/B5

Section Effective Replaces 600 September 1986 Parts List 685/B5 Parts List 685/B11 Both Dated March 1969

*These models are obsolete.  
Parts availability will be limited.*

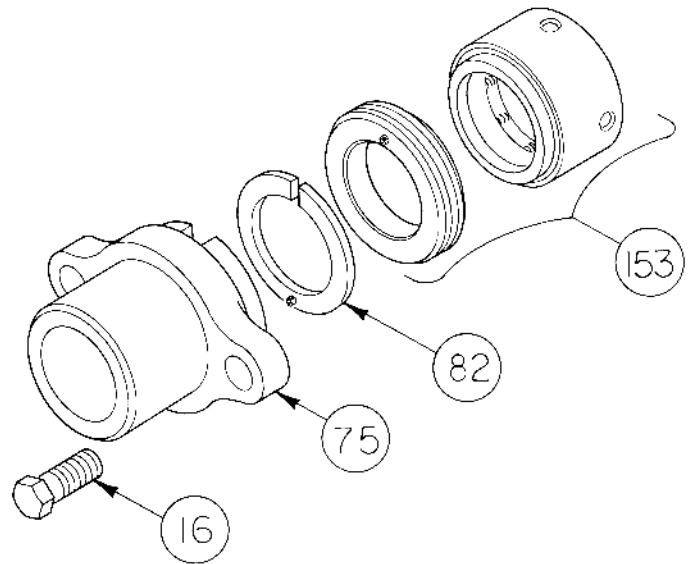


REF. NO.	PART NAME	NO. PARTS PER PUMP	PART NO.	REF. NO.	PART NAME	NO. PARTS PER PUMP	PART NO.
11	Gasket, Body	1	536355	42B	Flange Capscrew	8	920640
12	Casing	1	016005	58	Pack Washer	1	355107
13	Rotor & Shaft	1	261825	73	Gage Plug	3	908195
	Rotor & Shaft (V-Belt Length) (STD)		261821	74	Liner Lockscrew (VNP)	1	920493
14	Vane - Laminate	6	096016	Liner Lockscrew (VNPJ)			920551
	Vane - Iron		096001	74A	Liner Locknut	1	922862
	Vane - Ex. Cl. Iron		096003	74B	'O' Ring, Liner Lockshoe	1	705003
	Vane - Bronze		096002	74C	Liner Lockshoe	1	725002
	Vane - Ex. Cl. Bronze		096004	74D	Threaded Plug	1	920463
17	Gland Stud	2	921450	74E	Seal Washer	1	701981
18	Gland Stud Nut	2	922428	75	Packing Follower	1	141803
19	Packing	1 Set	325176	77	Push Rod	3	121807
20	Head & Bushing As'y. - Inboard (VNP)	1	036042	101	Gear Segment	1	919122
20A	Head & Bushing As'y. - Inboard (VNPJ)		036052	101A	Liner Stop Screw (Top)	1	920203
21	Head Capscrews	24	920491	101B	Liner Stop Screw (Bottom)	1	920273
22	Body Capscrews	8	920491	101C	Liner Stop Lockwasher	2	909620
23	Head & Bushing As'y. - Outboard (VNP)	1	036046	101D	Dial	1	726010
23A	Head & Bushing As'y. - Outboard (VNPJ)		036056	101E	Locknut, Liner Stop Screw	2	922825
24	Bushing	2	161821	102	Pinion	1	914122
26	Gasket, Bearing Cover	1	381815	103	Liner Pin	2	726091
27	Bearing Cover	1	041821	124	Pinion Shaft Key	1	909126
28	Bearing Cover Capscrews	4	920178	125	Pinion Shaft	1	727021
33	Setscrew - Dial	1	922195	126	Dial Retainer	1	727022
33A	Setscrew - Gear Segment	1	922190	126A	'O' Ring, Pinion Shaft	2	707004
35	Shaft Key	1	909135	126B	Pinion Shaft Retainer	1	727020
39	Blanking Plate	1	496305	127	Dial Retainer Screw	2	920003
41	Liner	1	186009	127A	Shaft Retainer Screw	2	920004
42	Flange	2	657869	143	Clamp Assembly	1	727064
42A	Gasket, Flange	2	386311				

# PARTS LIST NO. 685/B6

## MECHANICAL SEAL - OPTIONAL — CRANE #9

REF. NO.	PART NAME	NO. PARTS PER PUMP	PART NO.
16	Capscrew	2	920316
75	Mechanical Seal Retainer	1	141803
82	Spacer Assembly	1	371803
153	Mechanical Seal - Crane #9	1	331839



## RELIEF VALVE - OPTIONAL

REF. NO.	PART NAME	NO. PARTS PER PUMP	PART NO.
1	Valve Cap	1	413952
2	Adjusting Screw	1	436305
3	Locknut	1	436355
4	Valve Cover	1	416305
5	Valve Cover Capscrews	6	920331
6	Valve Body	1	406311
7	Spring Guide	2	426355
8	Valve Spring (35-50 PSI)	1	476303
	Valve Spring (51-75 PSI)		476309
	Valve Spring (76-105 PSI)		476305
	Valve Spring (106-150 PSI)		476311
	Valve Spring (35-50 PSI) Stainless Steel		476320
8	Valve Spring (51-75 PSI) Stainless Steel	1	476314
	Valve Spring (76-105 PSI) Stainless Steel		476321
	Valve Spring (106-150 PSI) Stainless Steel		476324
9	Relief Valve	1	456315
10	Gasket, Valve Cover	1	536306
45	Rod, Spring Guide	1	426305
88	Gasket, Valve Cap	1	533908

